

ATT Low Energy Hybrid Dryers

Dryer Performance

Dryer Models	Dewpoint (Standard)		ISO8573-1:2010 Classification (Standard)	Dewpoint (Option 1)		ISO8573-1:2010 Classification (Option 1)	Dewpoint (Option 2)		ISO8573-1:2010 Classification (Option 2)
	°C	°F		°C	°F		°C	°F	
ATT	-40	-40	Class 2.2.2	-70	-100	Class 2.1.2	-20	-4	Class 2.3.2

ISO8573-1 Classifications when used with OIL-X pre / post filtration

Technical Data

Dryer Models	Minimum Operating Pressure		Maximum Operating Pressure		Minimum Operating Temperature		Maximum Operating Temperature		Maximum Ambient Temperature		Electrical Supply (Standard)	Electrical Supply (Optional)	Thread Type	Noise Level dB(A)
	bar g	psi g	bar g	psi g	°C	°F	°C	°F	°C	°F				
ATT 040	2	29	16	232	5	41	65	149	50	122	230V 1ph 50Hz	N/A	BSPP	<75
ATT 060 - 090	2	29	12	174	5	41	65	149	50	122	230V 1ph 50Hz	N/A	BSPP	<75
ATT 090 - 140	2	29	12	174	5	41	65	149	50	122	400V 3ph 50Hz	N/A	BSPP	<75
ATT 260 - 340	4	58	12	174	5	41	65	149	50	122	400V 3ph 50Hz	N/A	BSPP	<75

Flow Rates

Model	Pipe Size	Inlet Flow Rate				Average Power kW
		L/s	m³/min	m³/hr	cfm	
ATT 040	1"	67	4	240	141	1.3
ATT 060	1½"	100	6	360	212	1.27
ATT 090	1½"	150	9	540	318	1.94
ATT 140	2"	233	14	840	494	2.01
ATT 260	2½"	433	26	1560	918	4.02
ATT 340	2½"	567	34	2040	1200	5.17

Stated flows are for operation at 7 bar (g) (102 psi g) with reference to 20°C, 1 bar (a), 0% relative water vapour pressure.

For flows at other pressures, apply the correction factors shown below.

Product Selection & Correction Factors

For correct operation, compressed air dryers must be sized using for the maximum (summer) inlet temperature, maximum (summer) ambient temperature, minimum inlet pressure, required outlet dewpoint and maximum flow rate of the installation.

To select a dryer, first calculate the MDC (Minimum Drying Capacity) using the formula below then select a dryer from the flow rate table above with a flow rate equal to or above the MDC.

Minimum Drying Capacity = System Flow x CFMIT x CFMAT x CFMIP x CFOD

CFMIT - Correction Factor Maximum Inlet Temperature

Maximum Inlet Temperature	°C	25	30	35	40	45	50	55	60	65
	°F	77	86	95	104	113	122	131	140	149
Correction Factor 040 - 340		0.82	0.82	1.00	1.23	1.45	1.69	1.92	2.17	2.50

CFMAT - Correction Factor Maximum Ambient Temperature

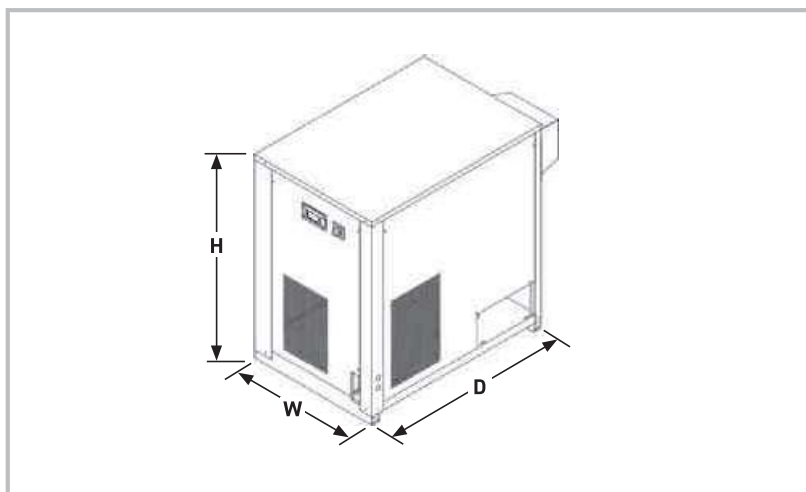
Maximum Ambient Temperature	°C	20	25	30	35	40	45	50
	°F	68	77	86	95	104	113	122
Correction Factor 040 - 060		0.95	1.00	1.06	1.14	1.23	1.33	1.47
Correction Factor 090 - 340		0.94	1.00	1.05	1.11	1.20	1.30	1.39

CFMIP - Correction Factor Minimum Inlet Pressure

Minimum Inlet Pressure	bar g	4	5	6	7	8	9	10	11	12	13	14	15	16
	psi g	58	73	87	100	116	131	145	160	174	189	203	218	232
Correction Factor 040		1.61	1.33	1.15	1.00	0.93	0.83	0.78	0.75	0.71	0.69	0.67	0.65	0.63
Correction Factor 060 - 340		1.61	1.33	1.15	1.00	0.93	0.83	0.78	0.75	0.71	N/A	N/A	N/A	N/A

CFOD - Correction Factor Outlet Dewpoint

Outlet Dewpoint	°C	-20	-40	-70
	°F	-4	-40	-100
Correction Factor		1	1	1



Weights & Dimensions

Model	Dimensions (Dryer Only)						Weight (Dryer Only)	
	Height (H)		Width (W)		Depth (D)		kg	lbs
	mm	ins	mm	ins	mm	ins		
ATT 040	1064	41.9	706	27.8	1246	49.1	200	441
ATT 060	1214	47.8	806	31.7	1416	55.7	295	650
ATT 090	1214	47.8	806	31.7	1416	55.7	335	739
ATT 140	1586	62.4	1007	39.6	1345	53.0	490	1080
ATT 260	1720	67.7	1007	39.6	2535	99.8	880	1940
ATT 340	1720	67.7	1007	39.6	2535	99.8	950	2094

Included Filtration

Model	Pipe Size BSPP	Dryer Inlet		Dryer Outlet		
		General Purpose Pre-filter	High Efficiency Filter	Oil Vapour Reduction Filter	General Purpose Dry Particulate Filter	High Efficiency Dry Particulate Filter
ATT 040	1"	AOP030G	AAP030G	-	AOP030G	-
ATT 060	1½"	AOP030G	AAP030G	-	AOP030G	-
ATT 090	1½"	AOP035G	AAP035G	-	AOP035G	-
ATT 140	2"	AOP045I	AAP045I	-	AOP045I	-
ATT 260	2½"	AOP055J	AAP055J	-	AOP055J	-
ATT 340	2½"	AOP055J	AAP055J	-	AOP055J	-

Parker Catalogue Numbers

Model	Catalogue Number Standard	Catalogue Number With By-Pass	Catalogue Number With Touchscreen	Catalogue Number With By-Pass & Touchscreen
ATT 040	ATT040-A23015016TI	-	-	-
ATT 060	ATT060-A23015012TI	ATT060-A23015012TITB	-	-
ATT 090	ATT090-A23015012TI	ATT090-A23015012TITB	-	-
ATT 140	ATT140-A40035012EI	ATT140-A40035012EITB	ATT140-A40035012EITS	ATT140-A40035012EITBTS
ATT 260	ATT260-A40035012EI	ATT260-A40035012EITB	ATT260-A40035012EITS	ATT260-A40035012EITBTS
ATT 340	ATT340-A40035012EI	ATT340-A40035012EITB	ATT340-A40035012EITS	ATT340-A40035012EITBTS