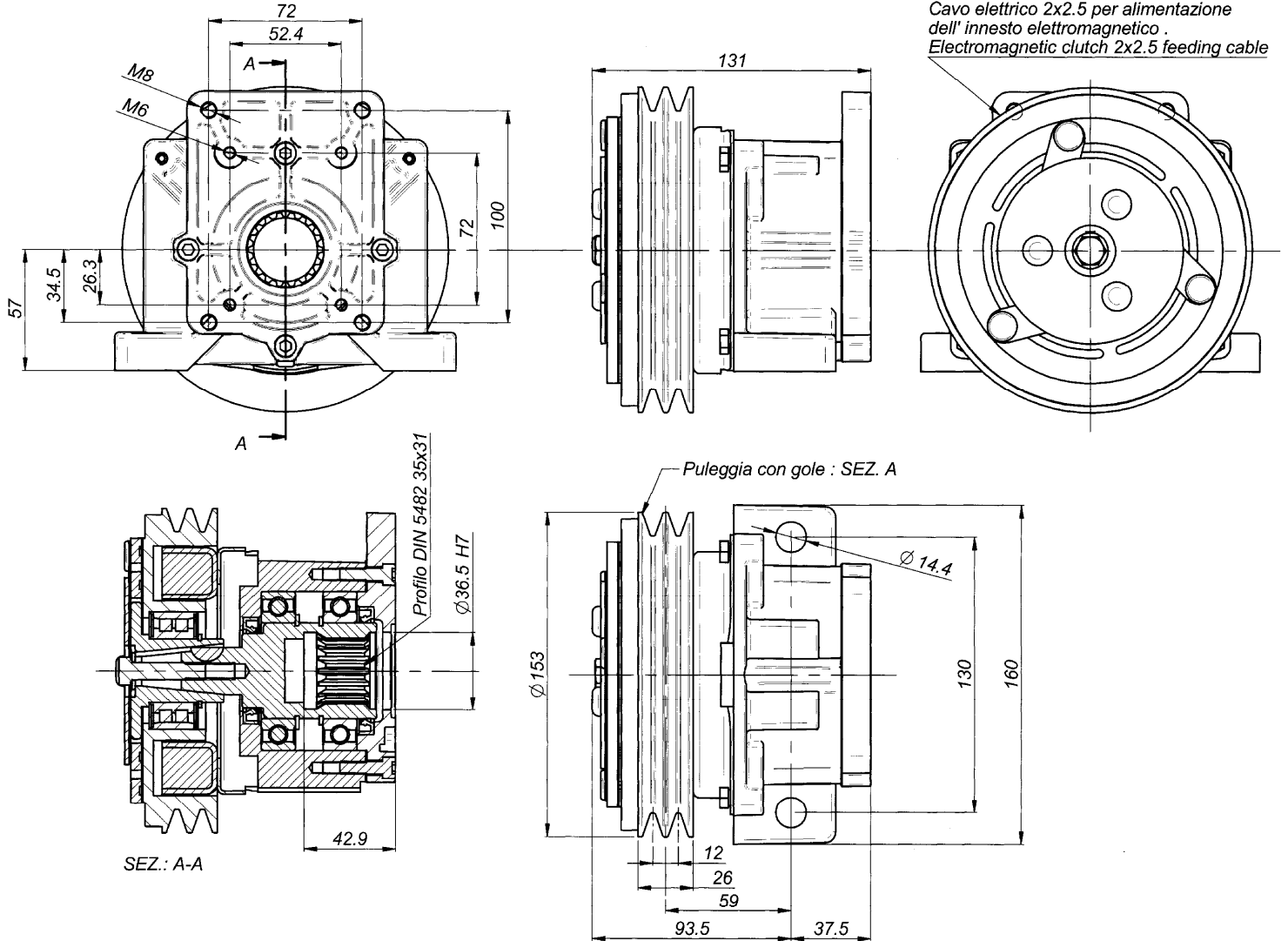


SERIE: 30901 12 Volt

SERIE: 30903 24 Volt



Nominal torque	7,8 daNm		Connection time		25 m/sec	
Static torque	12,5 daNm		Disconnection time		40 m/sec	
Dynamic torque	8,5 daNm	at 500 rpm		Minimum time between two connection	20 sec	
	7,0 daNm	at 1000 rpm				
	4,2 daNm	at 1500 rpm				
	3,5 daNm	at 2000 rpm		Max speed	5000 rpm	
	2,7 daNm	at 2500 rpm		Weight	5,5 Kg	
2,5 daNm	at 3000 rpm					
Electric absorption	Resistance (Ω)		Current (A)		Power (W)	
	20° C	120° C	20° C	120° C	20° C	120° C
12 V DC	4,00	5,60	3,33	2,00	40,00	24,00
24 V DC	20,00	28,00	1,26	0,77	30,30	18,18
All technical data are at 20°C / at 120 °C the performance are less 20% All electromagnetelc clutches are reversible.						