

A

General Description

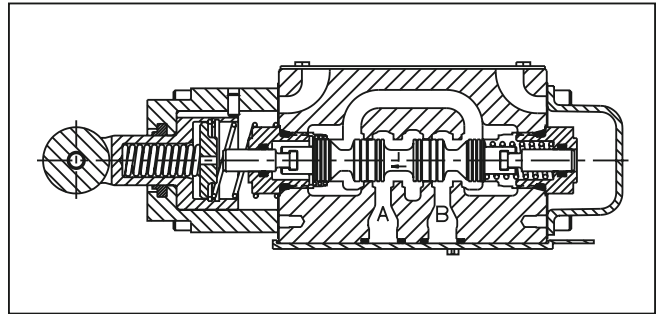
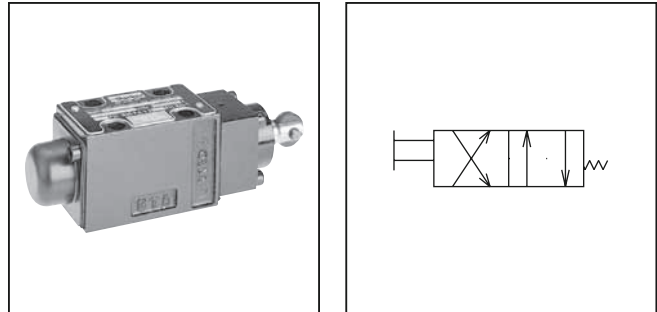
Series D1VC, D1VD and D1VG directional control valves are high performance, 4-chamber, direct operated, cam controlled, 4-way valves. They are available in 2-position and conform to NFPA's D03, CETOP 3 mounting patterns.

Features

- Choice of 2 cam roller positions (D1VC and D1VD)
- Two styles available (D1VC and D1VG)
- Short stroke option

Specifications

Mounting Pattern	NFPA D03, CETOP 3, NG 6
Maximum Pressure	Operating: 345 Bar (5000 PSI) Tank Line: 34 Bar (500 PSI)
Nominal Flow	32 LPM (8.5 GPM)
Maximum Flow	See Reference Data
Force Required to Shift	D1VC, D1VD: 107 N (24 lbs.) D1VG: 36 N (8 lbs.)
Maximum Cam Angle	30°



Ordering Information

<div style="border: 1px solid black; padding: 2px; width: 20px; margin: 0 auto;">D</div> <p>Directional Control Valve</p>	<div style="border: 1px solid black; padding: 2px; width: 20px; margin: 0 auto;">1V</div> <p>Basic Valve</p> <div style="border: 1px solid black; padding: 2px; margin: 5px auto; width: 60px; text-align: center;"> NFPA D03 CETOP 3 </div>	<div style="border: 1px solid black; width: 20px; height: 20px; margin: 0 auto;"></div> <p>Actuator</p>	<div style="border: 1px solid black; width: 20px; height: 20px; margin: 0 auto;"></div> <p>Spool</p>	<div style="border: 1px solid black; width: 20px; height: 20px; margin: 0 auto;"></div> <p>Style</p>	<div style="border: 1px solid black; width: 20px; height: 20px; margin: 0 auto;"></div> <p>Seal</p> <div style="border: 1px solid black; padding: 2px; margin: 5px auto; width: 100px;"> <table border="0"> <tr> <th>Code</th> <th>Description</th> </tr> <tr> <td>N</td> <td>Nitrile</td> </tr> <tr> <td>V</td> <td>Fluorocarbon</td> </tr> </table> </div>	Code	Description	N	Nitrile	V	Fluorocarbon	<div style="border: 1px solid black; width: 20px; height: 20px; margin: 0 auto;"></div> <p>Variations</p> <div style="border: 1px solid black; padding: 2px; margin: 5px auto; width: 100px;"> <table border="0"> <tr> <th>Code</th> <th>Description</th> </tr> <tr> <td>Omit</td> <td>Standard</td> </tr> <tr> <td>P05</td> <td>Short Stroke</td> </tr> <tr> <td>P10*</td> <td>Monitor Switch</td> </tr> </table> <p>* Not CE or CSA approved.</p> </div>	Code	Description	Omit	Standard	P05	Short Stroke	P10*	Monitor Switch	<div style="border: 1px dashed black; width: 20px; height: 20px; margin: 0 auto;"></div> <p>Design Series</p> <p>NOTE: Not required when ordering.</p>																	
Code	Description																																					
N	Nitrile																																					
V	Fluorocarbon																																					
Code	Description																																					
Omit	Standard																																					
P05	Short Stroke																																					
P10*	Monitor Switch																																					
<div style="border: 1px solid black; padding: 5px; margin-top: 10px;"> <table border="0"> <thead> <tr> <th>Code</th> <th>Description</th> </tr> </thead> <tbody> <tr> <td>C</td> <td>Cam (90° to mounting surface)</td> </tr> <tr> <td>D</td> <td>Cam parallel to mounting surface</td> </tr> <tr> <td>G</td> <td>Cam Lever</td> </tr> </tbody> </table> </div>		Code	Description	C	Cam (90° to mounting surface)	D	Cam parallel to mounting surface	G	Cam Lever	<div style="border: 1px solid black; padding: 5px; margin-top: 10px;"> <table border="0"> <thead> <tr> <th>Code</th> <th>Symbol</th> </tr> </thead> <tbody> <tr> <td>001</td> <td></td> </tr> <tr> <td>002</td> <td></td> </tr> <tr> <td>004</td> <td></td> </tr> <tr> <td>008*</td> <td></td> </tr> <tr> <td>009†</td> <td></td> </tr> <tr> <td>081</td> <td></td> </tr> <tr> <td>082</td> <td></td> </tr> </tbody> </table> <p>* 008 spool has closed crossover. † 009 spool has open crossover.</p> </div>		Code	Symbol	001		002		004		008*		009†		081		082		<div style="border: 1px solid black; padding: 5px; margin-top: 10px;"> <table border="0"> <thead> <tr> <th>Code</th> <th>Description</th> <th>Symbol</th> </tr> </thead> <tbody> <tr> <td>B</td> <td>Two position, spring offset operator at "A" port end.</td> <td></td> </tr> <tr> <td>H</td> <td>Two position, spring offset operator at "B" port end.</td> <td></td> </tr> </tbody> </table> <p>Valve schematic symbols are per NFPA/ANSI standards, providing flow P to A when energized. Note flow paths reverse sides for #008 and #009 spools.</p> </div>		Code	Description	Symbol	B	Two position, spring offset operator at "A" port end.		H	Two position, spring offset operator at "B" port end.	
Code	Description																																					
C	Cam (90° to mounting surface)																																					
D	Cam parallel to mounting surface																																					
G	Cam Lever																																					
Code	Symbol																																					
001																																						
002																																						
004																																						
008*																																						
009†																																						
081																																						
082																																						
Code	Description	Symbol																																				
B	Two position, spring offset operator at "A" port end.																																					
H	Two position, spring offset operator at "B" port end.																																					

Bold: Designates Tier I products and options.

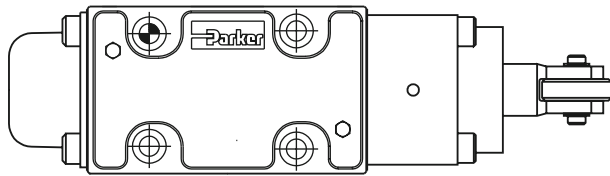
Non-Bold: Designates Tier II products and options. These products will have longer lead times.

D1.indd, dd

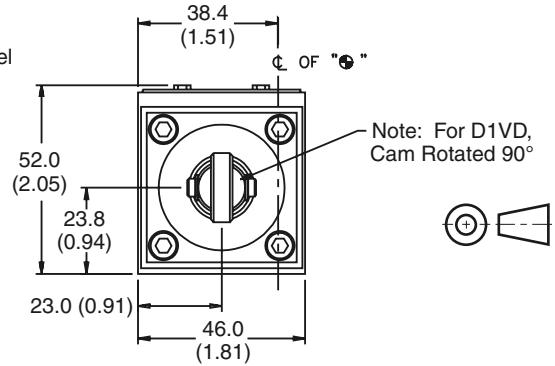
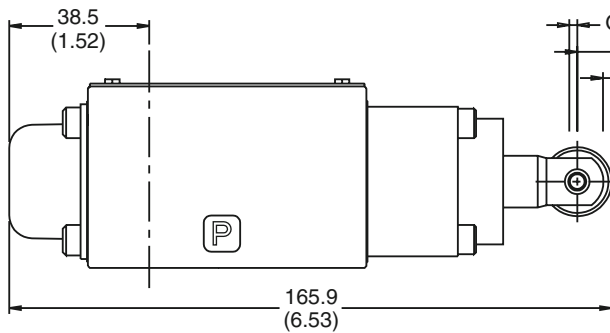
Inch equivalents for millimeter dimensions are shown in (**)

A

Cam Operated D1VC and D1VD



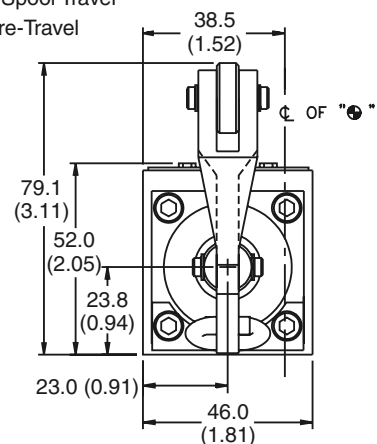
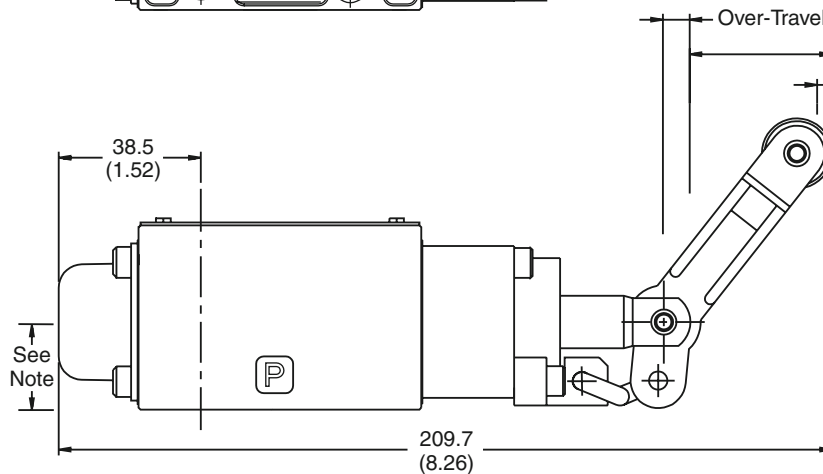
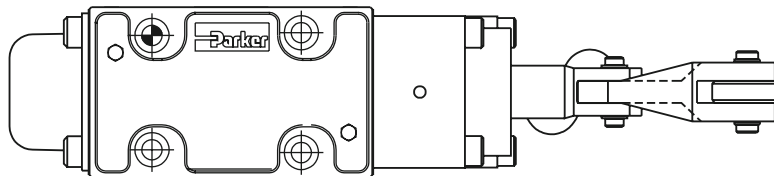
Valve Type	Pre-Travel	Full Spool Travel	Over-Travel
Standard Valve	2.00 (0.079)	9.06 (0.357)	2.03 (0.080)
P05 Short Stroke	0 (0)	7.06 (0.278)	4.03 (0.159)



Note: 22.0 mm (0.87") from bottom of bolt hole counterbore to bottom of valve.

Cam Lever Operated D1VG

Valve Type	Pre-Travel	Full Spool Travel	Over-Travel
Standard Valve	6.95 (0.27)	39.63 (1.56)	10.00 (0.39)
P05 Short Stroke	0 (0)	30.12 (1.19)	18.40 (0.72)



Note: 22.0 mm (0.87") from bottom of bolt hole counterbore to bottom of valve.