



HYDRAULIC PUMP DRIVES FOR AGRICULTURAL TRACTOR P.T.O.

MODEL T33

CAST IRON CASES Unlike our competitors, we utilise cast iron gear case construction. Cast iron expansion at the high temperatures encountered with this application is near equal to the expansion of the bearings and the outer bearing rings are retained in the case. Aluminium cases with high heat expansion often fail due to the outer bearing ring spinning and displacing particles of aluminium which destroy the bearings.

MODEL T33 APPLICATION These models embody over 20 years of engineering experience with PTO pump drives. They were developed for use as directly driven hydraulic pump speed increasers for 540 or 1000 RPM tractor PTO shafts. Models for 540 RPM PTO's are provided with a 1 3/8" 6T spline hollow shaft and for 1000 RPM PTO's, a 1 3/8" 21T spline hollow shaft. Shafts are splined internally for full length for through drive. Normal practice is to utilise a torque arm to restrain the drive from rotation.

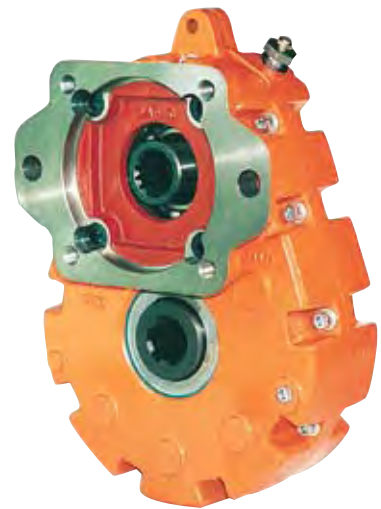
Maximum power is 50 horsepower with the 1:3.31 ratio models at 540 RPM input and 65 Horsepower in the 2.04 ratio models at 1000 RPM input. The T33 is available to accept most SAE "A", SAE "B" or SAE "C" hydraulic pumps. Pump adaptors on the T33 may be changed in the field.

T33 Ordering Information					
Hyd Pump Adaptor	Gear Ratio	Hyd Pump Shaft Type	Tractor PTO Shaft	Sleeve Part No.	T33 Part Number
SAE "A"	1:3.31	9 Spline 5/8"	1 3/8" 6 Spline	58/03/10001	332/06101
SAE "A"	1:3.31	11 Spline 3/4"	1 3/8" 6 Spline	58/03/10002L	332/06102
SAE "B"	1:3.31	13 Spline 7/8"	1 3/8" 6 Spline	58/03/01698	332/06203
# SAE "B"	1:3.31	15 Spline 1"	1 3/8" 6 Spline	58/03/00714	332/06204
SAE "B"	1:3.31	14 Spline 1 1/4"	1 3/8" 6 Spline	-	332/06206
SAE "B"	1:2.04	13 Spline 7/8"	1 3/8" 21 Spline	58/03/01698	331/21203
# SAE "B"	1:2.04	15 Spline 1"	1 3/8" 21 Spline	58/03/00714*	331/21204
SAE "C"	1:3.31	13 Spline 7/8"	1 3/8" 6 Spline	58/03/01698	332/06303
# SAE "C"	1:3.31	15 Spline 1"	1 3/8" 6 Spline	58/03/00714	332/06304
SAE "C"	1:3.31	14 Spline 1 1/4"	1 3/8" 6 Spline	-	332/06306
SAE "C"	1:2.04	14 Spline 1 1/4"	1 3/8" 21 Spline	-	331/21306
SAE "C"	1:2.04	21 Spline 1 3/8"	1 3/8" 21 Spline	-	331/21307

* Older Models only

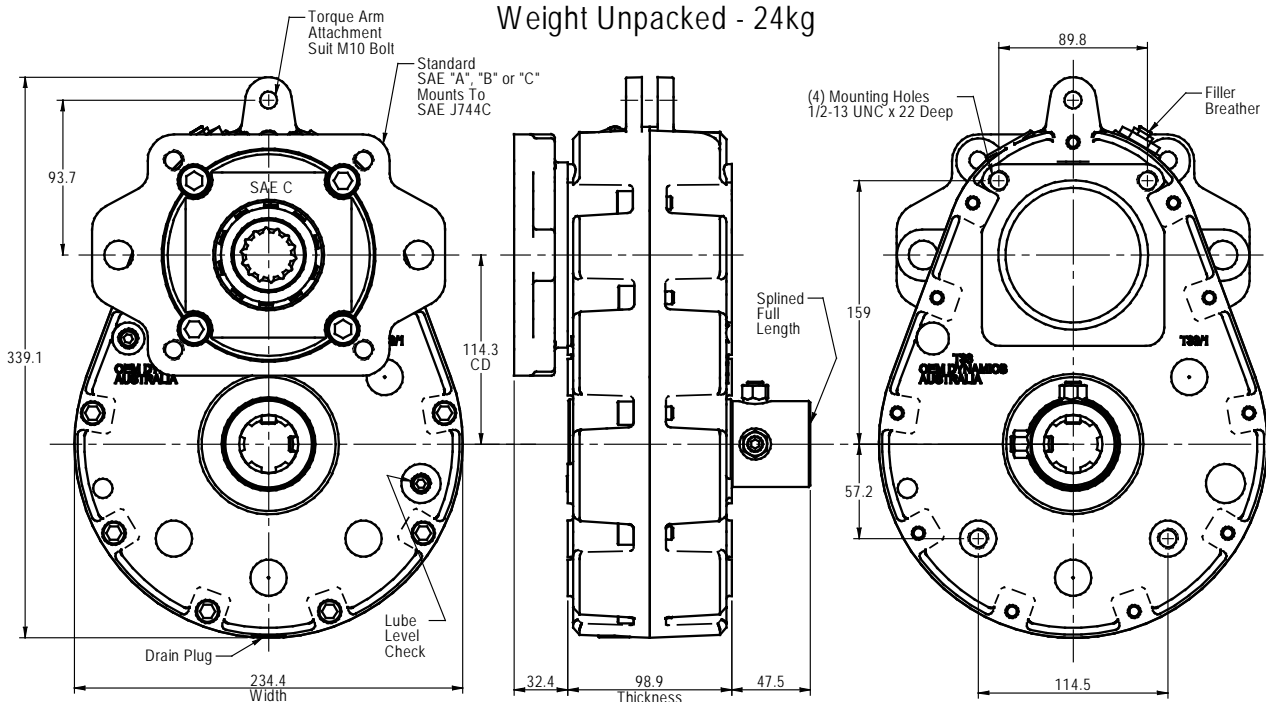
Made to special order.

Above are standard combinations. Other combinations available.



MODEL TT Dimensions

Weight Unpacked - 24kg



Units are shipped dry. Fill to level hole with EP90 oil before start up.