

GE3

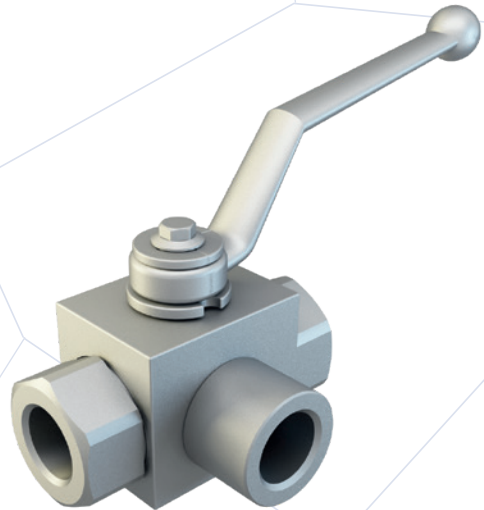
3-WAY HIGH PRESSURE BALL VALVES

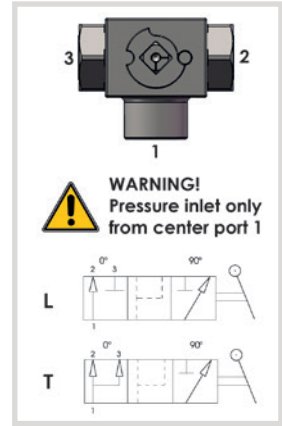
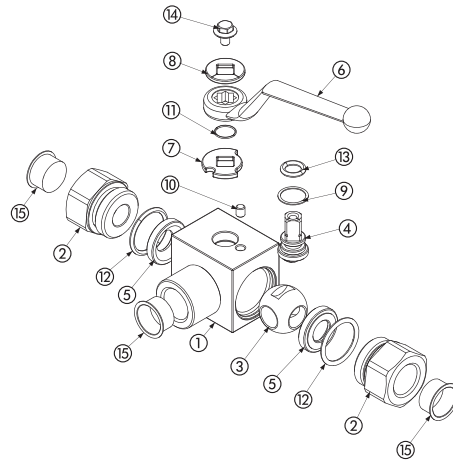
CARBON STEEL

- Type: ball valve GE 3 way
- Body: block
- Ball seats: from DN4 up to DN25
- Operating pressure: 500 Bar
depending on valve size and seal materials selected
- Temp range: -20°C to +100°C
depending on seal material selected

STAINLESS STEEL

- Type: ball valve GE 3 way
- Body: block
- Ball seats: from DN4 up to DN25
- Operating pressure: 500 Bar
depending on valve size and seal materials selected
- Temp range: -30°C to +100°C
depending on seal material selected





| CARBON STEEL | | | |
|--------------|----------------|--------------|------|
| POS | DESCRIPTION | MATERIAL | Q.TY |
| 1 | Body | 1,0737 | 1 |
| 2 | Adapter | 1,0737 | 2 |
| 3 | Ball | 1,0737 | 1 |
| 4 | Stem | 1,0737 | 1 |
| 5 | Ball seat | POM | 2 |
| 6 | Handle | ZINC | 1 |
| 7 | Washer | 1,0116 | 1 |
| 8 | Washer | 1,0116 | 1 |
| 9 | Stem ring | POM | 1 |
| 10 | Spine | 1,0737 | 1 |
| 11 | Seeger | 1,4301 | 1 |
| 12 | Adapter o-ring | NBR | 2 |
| 13 | Stem o-ring | NBR | 1 |
| 14 | Screw | Din 6921 8.8 | 1 |
| 15 | Caps | PVC | 3 |

| CARBON STEEL | | | | | | | | | | | | | |
|-----------------------|----------------------|------------------------|-------------|-----------------------|-----------------------|-------------------|---------------|------------------|---------------|---------------|--------------------|--------------------------------|--|
| GE3 | | G½ | | | DN13 | | 1 | 1 | 1 | 1 | A | B | |
| TYPE AND WAY OF VALVE | GAS DIN/ ISO 228 BSP | NPT ANSI/ ASME B1.20.1 | SAE J1926-1 | DIN 2353 HEAVY SERIES | DIN 2353 LIGHT SERIES | NOMINAL DIMENSION | BODY MATERIAL | ADAPTER MATERIAL | STEM MATERIAL | BALL MATERIAL | BALL SEAT MATERIAL | ADAPTER AND STEM SEAL MATERIAL | |
| GE3 3-way | G ½ | N ½ | SAE4 | 8S | 6L | DN4 | 1 1,0737 | 1 1,0737 | 1 1,0737 | 1 1,0737 | A POM | B NBR | |
| | G ¼ | N ¼ | SAE6 | 10S | 8L | DN6 | | | 4 1,4404* | 4 1,4404* | D PEEK* | E FKM* | |
| | G ¾ | N ¾ | SAE8 | 12S | 10L | DN10 | | | | | G PA612* | F EPDM* | |
| | G ½ | N ½ | SAE12 | 14S | 12L | DN13 | | | | | K GEMPTFE* | L MVQ* | |
| | G ¾ | N ¾ | SAE16 | 16S | 15L | DN20 | | | | | C PTFE* | | |
| | G 1 | N 1 | SAE20R | 20S | 18L | DN25 | | | | | | | |
| | G 1 ¼ R | N 1 ¼ R | SAE24R | 25S | 22L | | | | | | | | |
| G 1 ½ R | N 1 ½ R | | 30S | 28L | | | | | | | | | |
| | | | 38S | 35L | 42L | | | | | | | | |

| STAINLESS STEEL | | | |
|-----------------|----------------|-------------|------|
| POS | DESCRIPTION | MATERIAL | Q.TY |
| 1 | Body | 1,4404 | 1 |
| 2 | Adapter | 1,4404 | 2 |
| 3 | Ball | 1,4404 | 1 |
| 4 | Stem | 1,4404 | 1 |
| 5 | Ball seat | POM | 2 |
| 6 | Handle | ZINC | 1 |
| 7 | Washer | 1,4301 | 1 |
| 8 | Washer | 1,4301 | 1 |
| 9 | Stem ring | POM | 1 |
| 10 | Spine | 1,4301 | 1 |
| 11 | Seeger | 1,4301 | 1 |
| 12 | Adapter o-ring | NBR | 2 |
| 13 | Stem o-ring | NBR | 1 |
| 14 | Screw | Din 6921 A2 | 1 |
| 15 | Caps | PVC | 3 |

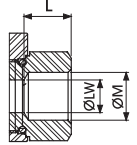
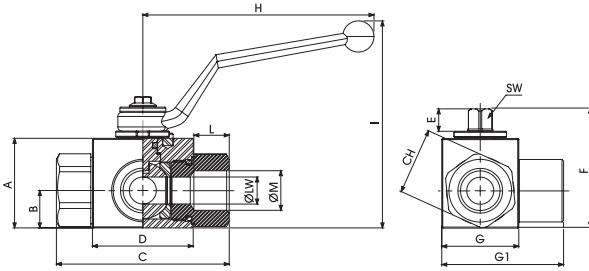
| STAINLESS STEEL | | | | | | | | | | | | | |
|-----------------------|----------------------|------------------------|-------------|-----------------------|-----------------------|-------------------|---------------|------------------|---------------|---------------|--------------------|--------------------------------|--|
| GE3 | | G½ | | | DN13 | | 4 | 4 | 4 | 4 | A | B | |
| TYPE AND WAY OF VALVE | GAS DIN/ ISO 228 BSP | NPT ANSI/ ASME B1.20.1 | SAE J1926-1 | DIN 2353 HEAVY SERIES | DIN 2353 LIGHT SERIES | NOMINAL DIMENSION | BODY MATERIAL | ADAPTER MATERIAL | STEM MATERIAL | BALL MATERIAL | BALL SEAT MATERIAL | ADAPTER AND STEM SEAL MATERIAL | |
| GE3 3-way | G ½ | N ½ | SAE4 | 8S | 6L | DN4 | 4 1,4404 | 4 1,4404 | 4 1,4404 | 4 1,4404 | A POM | B NBR | |
| | G ¼ | N ¼ | SAE6 | 10S | 8L | DN6 | | | | | D PEEK* | E FKM* | |
| | G ¾ | N ¾ | SAE8 | 12S | 10L | DN10 | | | | | G PA612* | F EPDM* | |
| | G ½ | N ½ | SAE12 | 14S | 12L | DN13 | | | | | K GEMPTFE* | L MVQ* | |
| | G ¾ | N ¾ | SAE16 | 16S | 15L | DN20 | | | | | C PTFE* | | |
| | G 1 | N 1 | SAE20R | 20S | 18L | DN25 | | | | | | | |
| | G 1 ¼ R | N 1 ¼ R | SAE24R | 25S | 22L | | | | | | | | |
| G 1 ½ R | N 1 ½ R | | 30S | 28L | | | | | | | | | |
| | | | 38S | 35L | 42L | | | | | | | | |

- *On request:
- Reduced bore
 - Special threads

- Pressure class up to PN40 MPa
- Pneumatic and electrical actuator

- Security block
- Locking device

For further special requests please consult our technical/commercial service



GE3 DIN/ISO 228 BSP

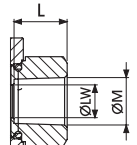
Standard

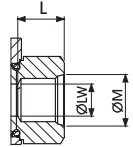
| | | | | | | | | | | | | | | | | | CARBON STEEL | STAINLESS STEEL | | |
|---------------|-----------|----|----|------|-----|------|----|-------|----|------|-----|-------|------|---------|----|----|--------------|-----------------|-----------------|-----------------|
| TYPE | PN | DN | A | B | C | D | E | F | G | G1 | H | I | L | ØM | CH | SW | ØLW | KG | ITEM CODE | ITEM CODE |
| GE3 G 1/8 | 50 MPa | 4 | 35 | 14,5 | 71 | 42,4 | 11 | 49 | 30 | 48,5 | 110 | 91,5 | 11 | G 1/8 | 24 | 9 | 4 | 0,558 | GE3GGT04011A000 | GE3GGT04044A000 |
| GE3 G 1/4 | 50 MPa | 6 | 35 | 14,5 | 71 | 42,4 | 11 | 49 | 30 | 48,5 | 110 | 91,5 | 15,5 | G 1/4 | 24 | 9 | 6 | 0,536 | GE3GGT14011A000 | GE3GGT14044A000 |
| GE3 G 3/8 | 50 MPa | 10 | 40 | 17,4 | 73 | 44,4 | 11 | 54,25 | 35 | 54,5 | 110 | 96,5 | 15,5 | G 3/8 | 30 | 9 | 10 | 0,695 | GE3GGT24011A000 | GE3GGT24044A000 |
| GE3 G 1/2 | 50 MPa | 13 | 43 | 18 | 83 | 48,4 | 11 | 57 | 37 | 58,5 | 110 | 99,5 | 17 | G 1/2 | 32 | 9 | 13 | 0,825 | GE3GGT33011A000 | GE3GGT33044A000 |
| GE3 G 3/4 | 42/40 MPa | 20 | 57 | 23,4 | 95 | 62,5 | 14 | 73,5 | 49 | 75 | 180 | 106,5 | 21 | G 3/4 | 41 | 14 | 20 | 1,583 | GE3GGT44011A000 | GE3GGT43044A000 |
| GE3 G 1 | 42/35 MPa | 25 | 65 | 29,5 | 112 | 66,5 | 14 | 83,5 | 55 | 89 | 180 | 116,5 | 24 | G 1 | 50 | 14 | 25 | 2,421 | GE3GGT53011A000 | GE3GGT53044A000 |
| GE3 G 1 1/4 R | 35 MPa | 25 | 65 | 29,5 | 120 | 66,5 | 14 | 83,5 | 55 | 89 | 180 | 116,5 | 24 | G 1 1/4 | 55 | 14 | 25 | 2,601 | GE3GGR63011A000 | GE3GGR63044A000 |
| GE3 G 1 1/2 R | 35 MPa | 25 | 65 | 29,5 | 124 | 66,5 | 14 | 83,5 | 55 | 89 | 180 | 116,5 | 24 | G 1 1/2 | 60 | 14 | 25 | 2,756 | GE3GGR73011A000 | GE3GGR73044A000 |

GE3 ANSI/ASME B1.20.1 NPT

Standard

| | | | | | | | | | | | | | | | | | CARBON STEEL | STAINLESS STEEL | | |
|---------------|-----------|----|----|------|-----|------|----|-------|----|------|-----|-------|----|---------|----|----|--------------|-----------------|-----------------|-----------------|
| TYPE | PN | DN | A | B | C | D | E | F | G | G1 | H | I | L | ØM | CH | SW | ØLW | KG | ITEM CODE | ITEM CODE |
| GE3 N 1/8 | 50 MPa | 4 | 35 | 14,5 | 71 | 42,4 | 11 | 49 | 30 | 48,5 | 110 | 91,5 | 11 | N 1/8 | 24 | 9 | 4 | 0,558 | GE3NNT04011A000 | GE3NNT04044A000 |
| GE3 N 1/4 | 50 MPa | 6 | 35 | 14,5 | 71 | 42,4 | 11 | 49 | 30 | 48,5 | 110 | 91,5 | 17 | N 1/4 | 24 | 9 | 6 | 0,536 | GE3NNT14011A000 | GE3NNT14044A000 |
| GE3 N 3/8 | 50 MPa | 10 | 40 | 17,4 | 73 | 44,4 | 11 | 54,25 | 35 | 54,5 | 110 | 96,5 | 17 | N 3/8 | 30 | 9 | 10 | 0,695 | GE3NNT24011A000 | GE3NNT24044A000 |
| GE3 N 1/2 | 50 MPa | 13 | 43 | 18 | 83 | 48,4 | 11 | 57 | 37 | 58,5 | 110 | 99,5 | 21 | N 1/2 | 32 | 9 | 13 | 0,825 | GE3NNT33011A000 | GE3NNT33044A000 |
| GE3 N 3/4 | 42/40 MPa | 20 | 57 | 23,4 | 95 | 62,5 | 14 | 73,5 | 49 | 75 | 180 | 106,5 | 21 | N 3/4 | 41 | 14 | 20 | 1,583 | GE3NNT44011A000 | GE3NNT43044A000 |
| GE3 N 1 | 42/35 MPa | 25 | 65 | 29,5 | 112 | 66,5 | 14 | 83,5 | 55 | 89 | 180 | 116,5 | 24 | N 1 | 50 | 14 | 25 | 2,421 | GE3NNT53011A000 | GE3NNT53044A000 |
| GE3 N 1 1/4 R | 35 MPa | 25 | 65 | 29,5 | 120 | 66,5 | 14 | 83,5 | 55 | 89 | 180 | 116,5 | 24 | N 1 1/4 | 55 | 14 | 25 | 2,601 | GE3NNR63011A000 | GE3NNR63044A000 |
| GE3 N 1 1/2 R | 35 MPa | 25 | 65 | 29,5 | 124 | 66,5 | 14 | 83,5 | 55 | 89 | 180 | 116,5 | 24 | N 1 1/2 | 60 | 14 | 25 | 2,756 | GE3NNR73011A000 | GE3NNR73044A000 |



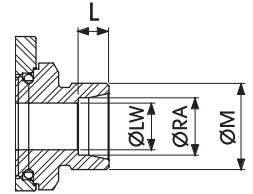
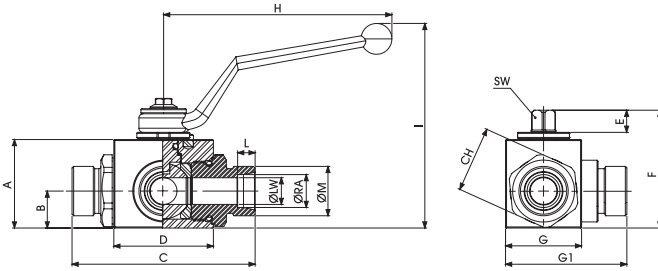


GE3 SAE J1926-1

Standard

CARBON STEEL

| TYPE | PN | DN | A | B | C | D | E | F | G | G1 | H | I | L | ØM | CH | SW | ØLW | KG | ITEM CODE |
|------------|-----------|----|----|------|-----|------|----|-------|----|------|-----|-------|------|--------------|----|----|-----|-------|-----------------|
| GE3 SAE4 | 50 MPa | 6 | 35 | 14,5 | 71 | 42,4 | 11 | 49 | 30 | 48,5 | 110 | 91,5 | 15,5 | $7/16$ UNF | 24 | 9 | 6 | 0,536 | GE3EEE04011AF10 |
| GE3 SAE6 | 50 MPa | 10 | 40 | 17,5 | 73 | 44,4 | 11 | 54,25 | 35 | 54,5 | 110 | 96,5 | 16 | $9/16$ UNF | 30 | 9 | 10 | 0,695 | GE3EEE14011AF10 |
| GE3 SAE8 | 50 MPa | 13 | 43 | 18 | 83 | 48,4 | 11 | 57 | 37 | 58,5 | 110 | 99,5 | 17,5 | $3/4$ UNF | 32 | 9 | 13 | 0,825 | GE3EEE23011AF10 |
| GE3 SAE12 | 42/40 MPa | 20 | 57 | 23,4 | 95 | 62,5 | 14 | 73,5 | 49 | 75 | 180 | 106,5 | 23 | $1 1/16$ UNF | 41 | 14 | 20 | 1,583 | GE3EEE34011AF10 |
| GE3 SAE16 | 42/35 MPa | 25 | 65 | 29,4 | 112 | 66,5 | 14 | 83,5 | 55 | 89 | 180 | 116,5 | 23 | $1 5/16$ UNF | 50 | 14 | 25 | 2,421 | GE3EEE43011AF10 |
| GE3 SAE20R | 35 MPa | 25 | 65 | 29,4 | 120 | 66,5 | 14 | 83,5 | 55 | 89 | 180 | 116,5 | 23 | $1 5/8$ UNF | 55 | 14 | 25 | 2,601 | GE3EEE53011AF10 |
| GE3 SAE24R | 35 MPa | 25 | 65 | 29,4 | 124 | 66,5 | 14 | 83,5 | 55 | 89 | 180 | 116,5 | 23 | $1 7/8$ UNF | 60 | 14 | 25 | 2,756 | GE3EEE63011AF10 |



GE3 DIN 2353 HEAVY SERIES

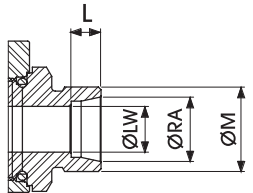
Standard

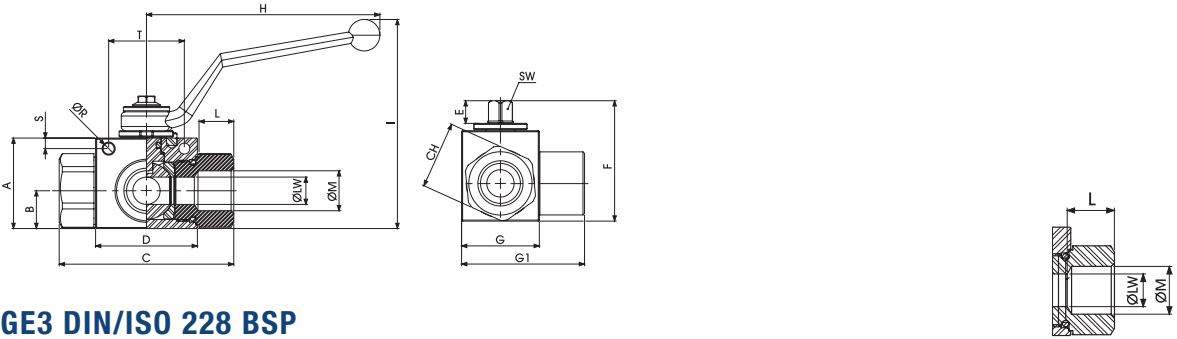
| TYPE | PN | DN | A | B | C | D | E | F | G | G1 | H | I | L | ØM | CH | SW | ØLW | ØRA | KG | CARBON STEEL | STAINLESS STEEL |
|---------|-----------|----|----|------|------|------|----|-------|----|------|-----|-------|------|---------|----|----|-----|-----|-------|-----------------|-----------------|
| | | | | | | | | | | | | | | | | | | | | ITEM CODE | ITEM CODE |
| GE3 8S | 50 MPa | 6 | 35 | 14,5 | 76 | 42,4 | 11 | 49 | 30 | 48,5 | 110 | 91,5 | 7 | M16x1,5 | 24 | 9 | 4 | 8 | 0,53 | GE3DDS04011A000 | GE3DDS04044A000 |
| GE3 10S | 50 MPa | 6 | 35 | 14,5 | 76 | 42,4 | 11 | 49 | 30 | 48,5 | 110 | 91,5 | 7,5 | M18x1,5 | 24 | 9 | 6 | 10 | 0,532 | GE3DDS14011A000 | GE3DDS14044A000 |
| GE3 12S | 50 MPa | 8 | 35 | 14,5 | 76 | 42,4 | 11 | 49 | 30 | 48,5 | 110 | 91,5 | 7,5 | M20x1,5 | 24 | 9 | 8 | 12 | 0,535 | GE3DDRS4011A000 | GE3DDRS4044A000 |
| GE3 12S | 50 MPa | 10 | 40 | 17,4 | 76 | 44,4 | 11 | 54,25 | 35 | 54,5 | 110 | 96,5 | 7,5 | M20x1,5 | 30 | 9 | 10 | 12 | 0,633 | GE3DDS24011A000 | GE3DDS24044A000 |
| GE3 14S | 50 MPa | 10 | 40 | 17,4 | 82,5 | 44,4 | 11 | 54,25 | 35 | 54,5 | 110 | 96,5 | 8 | M22x1,5 | 30 | 9 | 10 | 14 | 0,665 | GE3DDS34011A000 | GE3DDS34044A000 |
| GE3 16S | 50 MPa | 13 | 43 | 18 | 89 | 48,4 | 11 | 57 | 37 | 59 | 110 | 99,5 | 8,5 | M24x1,5 | 32 | 9 | 13 | 16 | 0,722 | GE3DDS43011A000 | GE3DDS43044A000 |
| GE3 20S | 50 MPa | 13 | 43 | 18 | 93 | 48,4 | 11 | 57 | 37 | 59 | 110 | 99,5 | 10,5 | M30x2 | 32 | 9 | 13 | 20 | 0,861 | GE3DDS53011A000 | GE3DDS53044A000 |
| GE3 25S | 35/40 MPa | 20 | 57 | 23,4 | 111 | 62,5 | 14 | 73,5 | 49 | 75 | 180 | 106,5 | 12 | M36x2 | 41 | 14 | 20 | 25 | 1,639 | GE3DDS64011A000 | GE3DDS63044A000 |
| GE3 30S | 35 MPa | 25 | 65 | 29,5 | 121 | 66,5 | 14 | 83,5 | 55 | 89 | 180 | 116,5 | 13 | M42x2 | 50 | 14 | 25 | 30 | 2,361 | GE3DDS73011A000 | GE3DDS73044A000 |
| GE3 38S | 35 MPa | 25 | 65 | 29,5 | 131 | 66,5 | 14 | 83,5 | 55 | 89 | 180 | 116,5 | 16 | M52x2 | 55 | 14 | 25 | 38 | 2,655 | GE3DDS83011A000 | GE3DDS83044A000 |

GE3 DIN 2353 LIGHT SERIES

Standard

| TYPE | PN | DN | A | B | C | D | E | F | G | G1 | H | I | L | ØM | CH | SW | ØLW | ØRA | KG | CARBON STEEL | STAINLESS STEEL |
|---------|-----------|----|----|------|------|------|----|-------|----|------|-----|-------|------|---------|----|----|-----|-----|-------|-----------------|-----------------|
| | | | | | | | | | | | | | | | | | | | | ITEM CODE | ITEM CODE |
| GE3 6L | 50 MPa | 6 | 35 | 14,5 | 76 | 42,4 | 11 | 49 | 30 | 48,5 | 110 | 91,5 | 7 | M12x1,5 | 24 | 9 | 6 | 6 | 0,53 | GE3DDL04011A000 | GE3DDL04044A000 |
| GE3 8L | 50 MPa | 6 | 35 | 14,5 | 76 | 42,4 | 11 | 49 | 30 | 48,5 | 110 | 91,5 | 7 | M14x1,5 | 24 | 9 | 6 | 8 | 0,532 | GE3DDL14011A000 | GE3DDL14044A000 |
| GE3 10L | 50 MPa | 6 | 35 | 14,5 | 76 | 42,4 | 11 | 49 | 30 | 48,5 | 110 | 91,5 | 7 | M16x1,5 | 24 | 9 | 6 | 10 | 0,535 | GE3DDRL4011A000 | GE3DDRL4044A000 |
| GE3 10L | 50 MPa | 10 | 40 | 17,4 | 76,5 | 44,4 | 11 | 54,25 | 35 | 54,5 | 110 | 96,5 | 7 | M16x1,5 | 30 | 9 | 10 | 10 | 0,633 | GE3DDL24011A000 | GE3DDL24044A000 |
| GE3 12L | 50 MPa | 10 | 40 | 17,4 | 79,5 | 44,4 | 11 | 54,25 | 35 | 54,5 | 110 | 96,5 | 7 | M18x1,5 | 30 | 9 | 10 | 12 | 0,665 | GE3DDL34011A000 | GE3DDL34044A000 |
| GE3 15L | 50 MPa | 13 | 43 | 18 | 87 | 48,4 | 11 | 57 | 37 | 59 | 110 | 99,5 | 7 | M22x1,5 | 32 | 9 | 13 | 15 | 0,722 | GE3DDL43011A000 | GE3DDL43044A000 |
| GE3 18L | 50 MPa | 13 | 43 | 18 | 87 | 48,4 | 11 | 57 | 37 | 59 | 110 | 99,5 | 7,5 | M26x1,5 | 32 | 9 | 13 | 18 | 0,861 | GE3DDL53011A000 | GE3DDL53044A000 |
| GE3 22L | 35/40 MPa | 20 | 57 | 23,4 | 110 | 62,5 | 14 | 73,5 | 49 | 75 | 180 | 106,5 | 7,5 | M30x2 | 41 | 14 | 20 | 22 | 1,639 | GE3DDL64011A000 | GE3DDL63044A000 |
| GE3 28L | 35 MPa | 25 | 65 | 29,5 | 117 | 66,5 | 14 | 83,5 | 55 | 89 | 180 | 116,5 | 7,5 | M36x2 | 50 | 14 | 25 | 28 | 2,361 | GE3DDL73011A000 | GE3DDL73044A000 |
| GE3 35L | 35 MPa | 25 | 65 | 29,5 | 119 | 66,5 | 14 | 83,5 | 55 | 89 | 180 | 116,5 | 10,5 | M45x2 | 50 | 14 | 25 | 35 | 2,361 | GE3DDL83011A000 | GE3DDL83044A000 |
| GE3 42L | 35 MPa | 25 | 65 | 29,5 | 119 | 66,5 | 14 | 83,5 | 55 | 89 | 180 | 116,5 | 11 | M52x2 | 55 | 14 | 25 | 42 | 2,456 | GE3DDL93011A000 | GE3DDL93044A000 |





GE3 DIN/ISO 228 BSP

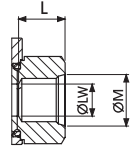
Fixing holes

| TYPE | PN | DN | A | B | C | D | E | F | G | G1 | H | I | L | ØM | CH | ØR | S | T | SW | ØLW | KG | CARBON STEEL | STAINLESS STEEL |
|---------------|-----------|----|----|------|-----|------|----|-------|----|------|-----|-------|------|---------|----|------|-----|----|----|-----|-------|-----------------|-----------------|
| | | | | | | | | | | | | | | | | | | | | | | ITEM CODE | ITEM CODE |
| GE3 G 1/8 | 50 MPa | 4 | 35 | 14,5 | 71 | 42,4 | 11 | 49 | 30 | 48,5 | 110 | 91,5 | 11 | G 1/8 | 24 | 5,25 | 4,5 | 34 | 9 | 4 | 0,558 | GE3GGT04011AF10 | GE3GGT04044AF10 |
| GE3 G 1/4 | 50 MPa | 6 | 35 | 14,5 | 71 | 42,4 | 11 | 49 | 30 | 48,5 | 110 | 91,5 | 15,5 | G 1/4 | 24 | 5,25 | 4,5 | 34 | 9 | 6 | 0,536 | GE3GGT14011AF10 | GE3GGT14044AF10 |
| GE3 G 3/8 | 50 MPa | 10 | 40 | 17,4 | 73 | 44,4 | 11 | 54,25 | 35 | 54,5 | 110 | 96,5 | 15,5 | G 3/8 | 30 | 5,25 | 4,5 | 34 | 9 | 10 | 0,695 | GE3GGT24011AF10 | GE3GGT24044AF10 |
| GE3 G 1/2 | 50 MPa | 13 | 43 | 18 | 83 | 48,4 | 11 | 57 | 37 | 58,5 | 110 | 99,5 | 17 | G 1/2 | 32 | 5,25 | 5 | 36 | 9 | 13 | 0,825 | GE3GGT33011AF10 | GE3GGT33044AF10 |
| GE3 G 3/4 | 42/40 MPa | 20 | 57 | 23,4 | 95 | 62,5 | 14 | 73,5 | 49 | 75 | 180 | 106,5 | 21 | G 3/4 | 41 | 6,25 | 6 | 50 | 14 | 20 | 1,583 | GE3GGT44011AF10 | GE3GGT43044AF10 |
| GE3 G 1 | 42/35 MPa | 25 | 65 | 29,5 | 112 | 66,5 | 14 | 83,5 | 55 | 89 | 180 | 116,5 | 24 | G 1 | 50 | 6,25 | 6 | 50 | 14 | 25 | 2,421 | GE3GGT53011AF10 | GE3GGT53044AF10 |
| GE3 G 1 1/4 R | 35 MPa | 25 | 65 | 29,5 | 120 | 66,5 | 14 | 83,5 | 55 | 89 | 180 | 116,5 | 24 | G 1 1/4 | 55 | 6,25 | 6 | 50 | 14 | 25 | 2,601 | GE3GGR63011AF10 | GE3GGR63044AF10 |
| GE3 G 1 1/2 R | 35 MPa | 25 | 65 | 29,5 | 124 | 66,5 | 14 | 83,5 | 55 | 89 | 180 | 116,5 | 24 | G 1 1/2 | 60 | 6,25 | 6 | 50 | 14 | 25 | 2,756 | GE3GGR73011AF10 | GE3GGR73044AF10 |

GE3 ANSI/ASME B1.20.1 NPT

Fixing holes

| TYPE | PN | DN | A | B | C | D | E | F | G | G1 | H | I | L | ØM | CH | ØR | S | T | SW | ØLW | KG | CARBON STEEL | STAINLESS STEEL |
|---------------|-----------|----|----|------|-----|------|----|-------|----|------|-----|-------|------|---------|----|------|-----|----|----|-----|-------|-----------------|-----------------|
| | | | | | | | | | | | | | | | | | | | | | | ITEM CODE | ITEM CODE |
| GE3 N 1/8 | 50 MPa | 4 | 35 | 14,5 | 71 | 42,4 | 11 | 49 | 30 | 48,5 | 110 | 91,5 | 11 | N 1/8 | 24 | 5,25 | 4,5 | 34 | 9 | 4 | 0,558 | GE3NNT04011AF10 | GE3NNT04044AF10 |
| GE3 N 1/4 | 50 MPa | 6 | 35 | 14,5 | 71 | 42,4 | 11 | 49 | 30 | 48,5 | 110 | 91,5 | 15,5 | N 1/4 | 24 | 5,25 | 4,5 | 34 | 9 | 6 | 0,536 | GE3NNT14011AF10 | GE3NNT14044AF10 |
| GE3 N 3/8 | 50 MPa | 10 | 40 | 17,4 | 73 | 44,4 | 11 | 54,25 | 35 | 54,5 | 110 | 96,5 | 15,5 | N 3/8 | 30 | 5,25 | 4,5 | 34 | 9 | 10 | 0,695 | GE3NNT24011AF10 | GE3NNT24044AF10 |
| GE3 N 1/2 | 50 MPa | 13 | 43 | 18 | 83 | 48,4 | 11 | 57 | 37 | 58,5 | 110 | 99,5 | 17 | N 1/2 | 32 | 5,25 | 5 | 36 | 9 | 13 | 0,825 | GE3NNT33011AF10 | GE3NNT33044AF10 |
| GE3 N 3/4 | 42/40 MPa | 20 | 57 | 23,4 | 95 | 62,5 | 14 | 73,5 | 49 | 75 | 180 | 106,5 | 21 | N 3/4 | 41 | 6,25 | 6 | 50 | 14 | 20 | 1,583 | GE3NNT44011AF10 | GE3NNT43044AF10 |
| GE3 N 1 | 42/35 MPa | 25 | 65 | 29,5 | 112 | 66,5 | 14 | 83,5 | 55 | 89 | 180 | 116,5 | 24 | N 1 | 50 | 6,25 | 6 | 50 | 14 | 25 | 2,421 | GE3NNT53011AF10 | GE3NNT53044AF10 |
| GE3 N 1 1/4 R | 35 MPa | 25 | 65 | 29,5 | 120 | 66,5 | 14 | 83,5 | 55 | 89 | 180 | 116,5 | 24 | N 1 1/4 | 55 | 6,25 | 6 | 50 | 14 | 25 | 2,601 | GE3NNR63011AF10 | GE3NNR63044AF10 |
| GE3 N 1 1/2 R | 35 MPa | 25 | 65 | 29,5 | 124 | 66,5 | 14 | 83,5 | 55 | 89 | 180 | 116,5 | 24 | N 1 1/2 | 60 | 6,25 | 6 | 50 | 14 | 25 | 2,756 | GE3NNR73011AF10 | GE3NNR73044AF10 |

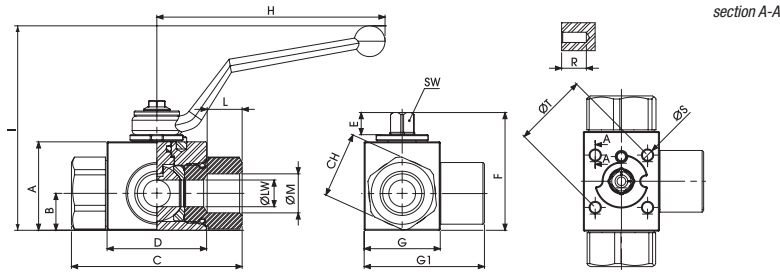


GE3 SAE J1926-1

Fixing holes

CARBON STEEL

| TYPE | PN | DN | A | B | C | D | E | F | G | H | I | L | ØM | CH | ØR | S | T | SW | ØLW | KG | ITEM CODE |
|------------|-----------|----|----|------|-----|------|----|-------|----|-----|-------|------|------------|----|------|-----|----|----|-----|-------|-----------------|
| GE3 SAE4 | 50 MPa | 6 | 35 | 14,5 | 71 | 42,4 | 11 | 49 | 30 | 110 | 91,5 | 15,5 | 7/16 UNF | 24 | 5,25 | 4,5 | 34 | 9 | 6 | 0,512 | GE3EEE04011AF10 |
| GE3 SAE6 | 50 MPa | 10 | 40 | 17,5 | 73 | 44,8 | 11 | 54,25 | 35 | 110 | 96,5 | 16 | 9/16 UNF | 30 | 5,25 | 4,5 | 34 | 9 | 10 | 0,695 | GE3EEE14011AF10 |
| GE3 SAE8 | 50 MPa | 13 | 43 | 18 | 83 | 48,4 | 11 | 57 | 37 | 110 | 99,5 | 17,5 | 3/4 UNF | 32 | 5,25 | 5 | 36 | 9 | 13 | 0,825 | GE3EEE23011AF10 |
| GE3 SAE12 | 42/40 MPa | 20 | 57 | 23,4 | 95 | 62,5 | 14 | 73,5 | 49 | 180 | 106,5 | 23 | 1 1/16 UNF | 41 | 6,25 | 6 | 50 | 14 | 20 | 1,583 | GE3EEE34011AF10 |
| GE3 SAE16 | 42/35 MPa | 25 | 65 | 29,4 | 112 | 66,5 | 14 | 83,5 | 55 | 180 | 116,5 | 23 | 1 5/16 UNF | 50 | 6,25 | 6 | 50 | 14 | 25 | 2,421 | GE3EEE43011AF10 |
| GE3 SAE20R | 35 MPa | 25 | 65 | 29,4 | 120 | 66,5 | 14 | 83,5 | 55 | 180 | 116,5 | 23 | 1 5/8 UNF | 55 | 6,25 | 6 | 50 | 14 | 25 | 2,601 | GE3EEE53011AF10 |
| GE3 SA24R | 35 MPa | 25 | 65 | 29,4 | 124 | 66,5 | 14 | 83,5 | 55 | 180 | 116,5 | 23 | 1 7/8 UNF | 60 | 6,25 | 6 | 50 | 14 | 25 | 2,756 | GE3EEE63011AF10 |

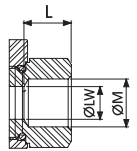


GE3 DIN/ISO 228 BSP

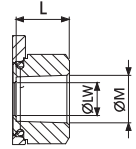
Fixing holes DIN/ISO5211

CARBON STEEL STAINLESS STEEL

| TYPE | PN | DN | A | B | C | D | E | F | G | G1 | H | I | L | ØM | CH | R | ØS | ØT | ISO5211 | SW | LW | KG | ITEM CODE | ITEM CODE |
|---------------|-----------|----|----|------|-----|------|----|-------|----|------|-----|-------|------|---------|----|-----|----|----|---------|----|----|-------|-----------------|-----------------|
| GE3 G 1/8 | 50 MPa | 4 | 35 | 14,5 | 71 | 42,4 | 11 | 49 | 30 | 48,5 | 110 | 91,5 | 11 | G 1/8 | 24 | 9,5 | M4 | 35 | F03 | 9 | 4 | 0,558 | GE3GGT04011AF50 | GE3GGT04044AF50 |
| GE3 G 1/4 | 50 MPa | 6 | 35 | 14,5 | 71 | 42,4 | 11 | 49 | 30 | 48,5 | 110 | 91,5 | 15,5 | G 1/4 | 24 | 9,5 | M4 | 35 | F03 | 9 | 6 | 0,536 | GE3GGT14011AF50 | GE3GGT14044AF50 |
| GE3 G 3/8 | 50 MPa | 10 | 40 | 17,4 | 73 | 44,4 | 11 | 54,25 | 35 | 54,5 | 110 | 96,5 | 15,5 | G 3/8 | 30 | 9,5 | M5 | 36 | F03 | 9 | 10 | 0,695 | GE3GGT24011AF50 | GE3GGT24044AF50 |
| GE3 G 1/2 | 50 MPa | 13 | 43 | 18 | 83 | 48,4 | 11 | 57 | 37 | 58,5 | 110 | 99,5 | 17 | G 1/2 | 32 | 9,5 | M5 | 36 | F03 | 9 | 13 | 0,825 | GE3GGT33011AF50 | GE3GGT33044AF50 |
| GE3 G 3/4 | 42/40 MPa | 20 | 57 | 23,4 | 95 | 62,5 | 14 | 73,5 | 49 | 75 | 180 | 106,5 | 21 | G 3/4 | 41 | 15 | M6 | 50 | F05 | 14 | 20 | 1,583 | GE3GGT44011AF50 | GE3GGT43044AF50 |
| GE3 G 1 | 42/35 MPa | 25 | 65 | 29,5 | 112 | 66,5 | 14 | 83,5 | 55 | 89 | 180 | 116,5 | 24 | G 1 | 50 | 15 | M6 | 50 | F05 | 14 | 25 | 2,421 | GE3GGT53011AF50 | GE3GGT53044AF50 |
| GE3 G 1 1/4 R | 35 MPa | 25 | 65 | 29,5 | 120 | 66,5 | 14 | 83,5 | 55 | 89 | 180 | 116,5 | 24 | G 1 1/4 | 55 | 15 | M6 | 50 | F05 | 14 | 25 | 2,601 | GE3GGR63011AF50 | GE3GGR63044AF50 |
| GE3 G 1 1/2 R | 35 MPa | 25 | 65 | 29,5 | 124 | 66,5 | 14 | 83,5 | 55 | 89 | 180 | 116,5 | 24 | G 1 1/2 | 60 | 15 | M6 | 50 | F05 | 14 | 25 | 2,756 | GE3GGR73011AF50 | GE3GGR73044AF50 |



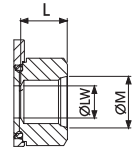
GE3 ANSI/ASME B1.20.1 NPT



Fixing holes DIN/ISO5211

| | | | | | | | | | | | | | | | | | | | | CARBON STEEL | STAINLESS STEEL | | | |
|---------------|-----------|----|----|------|-----|------|----|-------|----|------|-----|-------|----|---------|----|----|----|----|---------|--------------|-----------------|-------|-----------------|-----------------|
| TYPE | PN | DN | A | B | C | D | E | F | G | G1 | H | I | L | ØM | CH | R | ØS | ØT | ISO5211 | SW | LW | KG | ITEM CODE | ITEM CODE |
| GE3 N 1/8 | 50 MPa | 4 | 35 | 14,5 | 71 | 42,4 | 11 | 49 | 30 | 48,5 | 110 | 91,5 | 11 | N 1/8 | 24 | 9 | M4 | 35 | F03 | 9 | 4 | 0,558 | GE3NNT04011AF50 | GE3NNT04044AF50 |
| GE3 N 1/4 | 50 MPa | 6 | 35 | 14,5 | 71 | 42,4 | 11 | 49 | 30 | 48,5 | 110 | 91,5 | 17 | N 1/4 | 24 | 9 | M4 | 35 | F03 | 9 | 6 | 0,536 | GE3NNT14011AF50 | GE3NNT14044AF50 |
| GE3 N 3/8 | 50 MPa | 10 | 40 | 17,4 | 73 | 44,4 | 11 | 54,25 | 35 | 54,5 | 110 | 96,5 | 17 | N 3/8 | 30 | 9 | M5 | 36 | F03 | 9 | 10 | 0,695 | GE3NNT24011AF50 | GE3NNT24044AF50 |
| GE3 N 1/2 | 50 MPa | 13 | 43 | 18 | 83 | 48,4 | 11 | 57 | 37 | 58,5 | 110 | 99,5 | 21 | N 1/2 | 32 | 9 | M5 | 36 | F03 | 9 | 13 | 0,825 | GE3NNT33011AF50 | GE3NNT33044AF50 |
| GE3 N 3/4 | 42/40 MPa | 20 | 57 | 23,4 | 95 | 62,5 | 14 | 73,5 | 49 | 75 | 180 | 106,5 | 21 | N 3/4 | 41 | 15 | M6 | 50 | F05 | 14 | 20 | 1,583 | GE3NNT44011AF50 | GE3NNT43044AF50 |
| GE3 N 1 | 42/35 MPa | 25 | 65 | 29,5 | 112 | 66,5 | 14 | 83,5 | 55 | 89 | 180 | 116,5 | 24 | N 1 | 50 | 15 | M6 | 50 | F05 | 14 | 25 | 2,421 | GE3NNT53011AF50 | GE3NNT53044AF50 |
| GE3 N 1 1/4 R | 35 MPa | 25 | 65 | 29,5 | 120 | 66,5 | 14 | 83,5 | 55 | 89 | 180 | 116,5 | 24 | N 1 1/4 | 55 | 15 | M6 | 50 | F05 | 14 | 25 | 2,601 | GE3NNR63011AF50 | GE3NNR63044AF50 |
| GE3 N 1 1/2 R | 35 MPa | 25 | 65 | 29,5 | 124 | 66,5 | 14 | 83,5 | 55 | 89 | 180 | 116,5 | 24 | N 1 1/2 | 60 | 15 | M6 | 50 | F05 | 14 | 25 | 2,756 | GE3NNR73011AF50 | GE3NNR73044AF50 |

GE3 SAE J1926-1



Fixing holes DIN/ISO5211

| | | | | | | | | | | | | | | | | | | | | CARBON STEEL | |
|------------|-----------|----|----|------|-----|------|----|-------|----|-----|-------|------|------------|----|----|----|----|----|-----|--------------|-----------------|
| TYPE | PN | DN | A | B | C | D | E | F | G | H | I | L | ØM | CH | R | ØS | ØT | SW | ØLW | KG | ITEM CODE |
| GE3 SAE4 | 50 MPa | 6 | 35 | 14,5 | 71 | 42,4 | 11 | 49 | 30 | 110 | 91,5 | 15,5 | 7/16 UNF | 24 | 9 | M4 | 35 | 9 | 6 | 0,512 | GE3EEE04011AF50 |
| GE3 SAE6 | 50 MPa | 10 | 40 | 17,5 | 73 | 44,8 | 11 | 54,25 | 35 | 110 | 96,5 | 16 | 9/16 UNF | 30 | 9 | M4 | 35 | 9 | 10 | 0,695 | GE3EEE14011AF50 |
| GE3 SAE8 | 50 MPa | 13 | 43 | 18 | 83 | 48,4 | 11 | 57 | 37 | 110 | 99,5 | 17,5 | 3/4 UNF | 32 | 9 | M5 | 36 | 9 | 13 | 0,825 | GE3EEE23011AF50 |
| GE3 SAE12 | 42/40 MPa | 20 | 57 | 23,4 | 95 | 62,5 | 14 | 73,5 | 49 | 180 | 106,5 | 23 | 1 1/16 UNF | 41 | 9 | M5 | 36 | 14 | 20 | 1,583 | GE3EEE34011AF50 |
| GE3 SAE16 | 42/35 MPa | 25 | 65 | 29,4 | 112 | 66,5 | 14 | 83,5 | 55 | 180 | 116,5 | 23 | 1 5/16 UNF | 50 | 15 | M6 | 50 | 14 | 25 | 2,421 | GE3EEE43011AF50 |
| GE3 SAE20R | 35 MPa | 25 | 65 | 29,4 | 120 | 66,5 | 14 | 83,5 | 55 | 180 | 116,5 | 23 | 1 5/8 UNF | 55 | 15 | M6 | 50 | 14 | 25 | 2,601 | GE3EEE53011AF50 |
| GE3 SA24R | 35 MPa | 25 | 65 | 29,4 | 124 | 66,5 | 14 | 83,5 | 55 | 180 | 116,5 | 23 | 1 7/8 UNF | 60 | 15 | M6 | 50 | 14 | 25 | 2,756 | GE3EEE63011AF50 |