



# RCS FOOT PEDAL LOWER PORTS

RCS is a single pedal version remote control. It's a new family completing the broad range of remote control. This pedal work according to the principle of direct-acting pressure reducing valves. In rest position, the foot pedal is held in neutral by return spring; inlet port P is closed and ports are connected to tank port T. Its ergonomic design provides optimum comfort for the operator.



### TECHNICAL SPECIFICATIONS

Max pressure: **100 bar**

Oil capacity: **12 l/min**

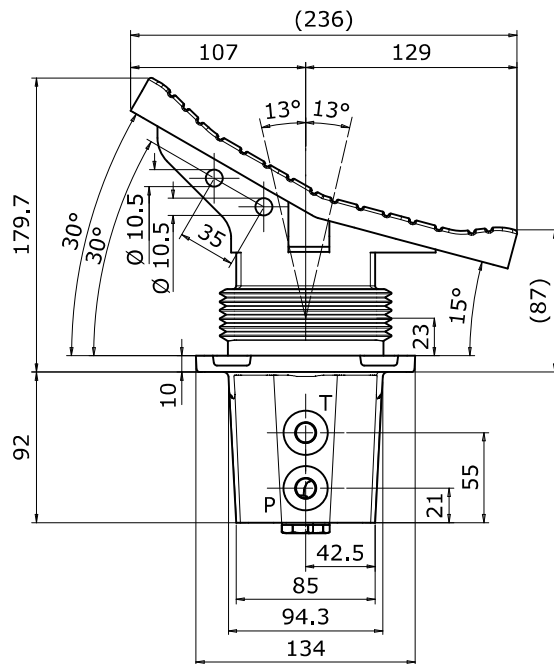
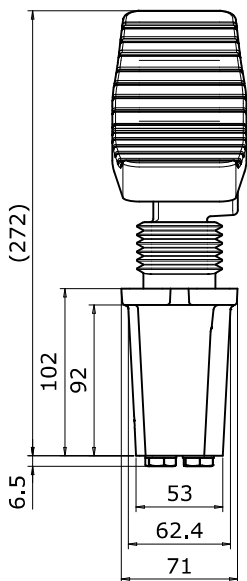
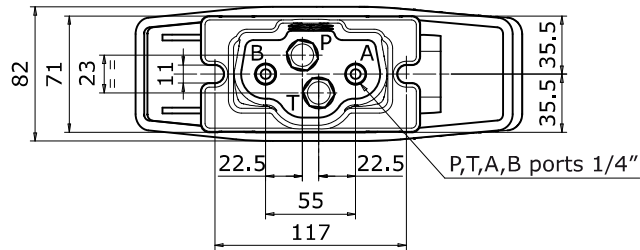
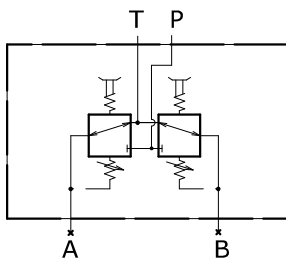
Weight: **4,1 Kg**

### APPLICATIONS

Mini-excavators

### RCS DIMENSIONS STANDARD

HYDRAULIC SCHEMA



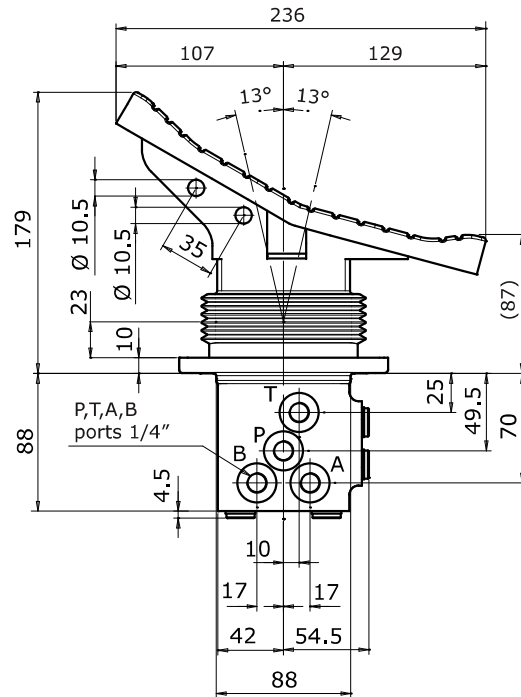
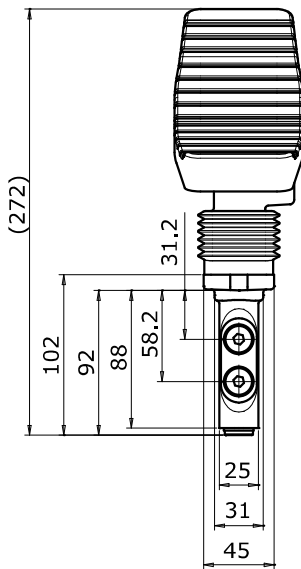
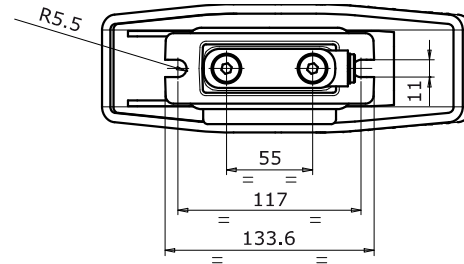
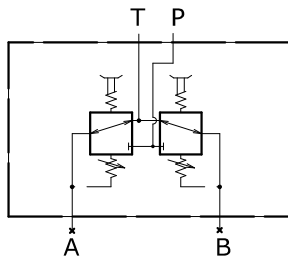


FOOT PEDAL LOWER PORTS **RCS**

**RCS DIMENSIONS WITH NARROW BODY**

The special design with narrow body is suitable for use on small machines.

HYDRAULIC SCHEMA



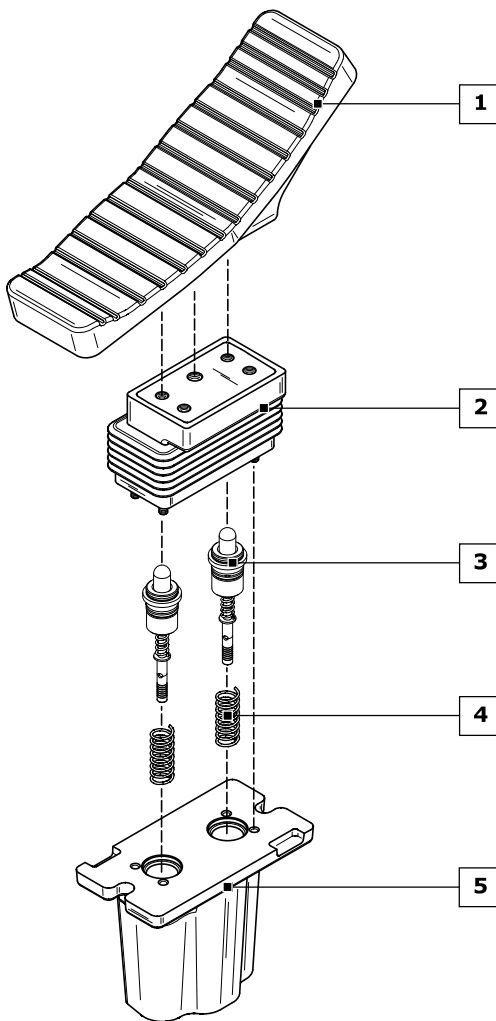


# RCS FOOT PEDAL LOWER PORTS

ORDER EXAMPLE = RCS: 02P - 01S - A01T - MD - RA01 G02

- RCS product type \_\_\_\_\_
- 1 PEDAL CLASSIFICATION:** \_\_\_\_\_
- 02P** pedal type \_\_\_\_\_
- 2 CONTROL CLASSIFICATION:** \_\_\_\_\_
- 01S** control type \_\_\_\_\_
- 3 METERING CURVE:** \_\_\_\_\_
- A01T** curve type \_\_\_\_\_
- 4 RETURN SPRING:** \_\_\_\_\_
- MA** return spring type \_\_\_\_\_
- 5 BODY ARRANGEMENT:** \_\_\_\_\_
- RA01** body specification \_\_\_\_\_
- G02** body thread \_\_\_\_\_

Ordering row 3 and 4, must be repeated for each port  
 complete sample: **RCS: 02P 01S A01T MD A01T MD RA01 G02**



<b>1</b>	<b>PEDAL CLASSIFICATION:</b> (page 49)
<b>00P</b>	Without pedal (prearrangement)
<b>01P</b>	Standard flat pedal
<b>02P</b>	Short pedal tilted 30°
<b>03P</b>	Long pedal tilted 30°
<b>2</b>	<b>CONTROL KIT CLASSIFICATION:</b> (page 49)
<b>01S</b>	Control kit with bellows
<b>2</b>	<b>METERING CURVE:</b> (page 74)
<b>A01T</b>	Linear metering curve with step (tipo A)
<b>B01T</b>	Linear metering curve without step (tipo B)
<b>4</b>	<b>RETURN SPRING:</b> (page 79)
<b>MD</b>	Preload 94 N - End stroke load 149 N
<b>5</b>	<b>BODY ARRANGEMENT:</b> (page 50)
<b>RA01 G02</b>	P - T lower (G 1/4 ports)
<b>RA02 G02</b>	P - T side (G 1/4 ports)
<b>RA11 G02</b>	P - T front A - B lower (G 1/4 ports)
<b>RA12 G02</b>	A - B - P - T side (G 1/4 ports)
<b>RA01 U02</b>	P - T lower (9/16-18 UNF ports)
<b>RA02 U02</b>	P - T side (9/16-18 UNF ports)
<b>RA11 U02</b>	P - T front A - B lower (9/16-18 UNF ports)
<b>RA12 U02</b>	A - B - P - T side (9/16-18 UNF ports)

**PEDAL CLASSIFICATION**

All controls installed on the foot pedal RCS are interchangeable. Pedals represented correspond to standard configurations; for different applications contact our Commercial Dept.

Code	Dimensions	Configuration	Description
00P			Without pedal (prearrangement)
01P			Standard flat pedal with rubber protection
02P			Short pedal tilted 30° with rubber protection
03P			Long pedal tilted 30° with rubber protection

**CONTROL KIT CLASSIFICATION**

Only one configuration is available; for different applications contact our Commercial Dept.

Code	Dimensions	Configuration	Description
01S			Control kit with bellows

Metering curves are available equipped with a swing-preventing dampening device; for more informations contact our Commercial Dept.



RCS FOOT PEDAL LOWER PORTS

STANDARD BODY ARRANGEMENT

The listed configurations are all the possible combinations that can be obtained with the RCS standard body; two different pitch threads are available. For different applications contact our Commercial Dept.

Code	Configuration	Description
RA01 G02		Standard body (ports P-T lower)  with ports G 1/4
RA01 U02		Standard body (ports P-T lower)  with ports 9/16" - 18 UNF
RA02 G02		Body (ports P-T side)  with ports G 1/4
RA02 U02		Body (ports P-T side)  with ports 9/16" - 18 UNF
RA03 G02		Body (ports A-B-P-T side)  with ports G 1/4
RA03 U02		Body (ports A-B-P-T side)  with ports 9/16" - 18 UNF
RA04 G02		Body (ports A-B side) (ports P-T lower)  with ports G 1/4
RA04 U02		Body (ports A-B side) (ports P-T lower)  with ports 9/16" - 18 UNF

FOOT PEDAL LOWER PORTS **RCS**

**NARROW BODY ARRANGEMENT**

The listed configurations are all the possible combinations that can be obtained with the RCS narrow body; two different pitch threads are available. For different applications contact our Commercial Dept.

Code	Configuration	Description
RA11 G02		Standard body (ports P-T front) (ports A-B lower)  with ports G 1/4
RA11 U02		Standard body (ports P-T front) (ports A-B lower)  with ports 9/16" - 18 UNF
RA12 G02		Body (ports A-B-P-T side)  with ports G 1/4
RA12 U02		Body (ports A-B-P-T side)  with ports 9/16" - 18 UNF
RA13 G02		Body (ports P-T side) (ports A-B lower)  with ports G 1/4
RA13 U02		Body (ports P-T side) (ports A-B lower)  with ports 9/16" - 18 UNF
RA14 G02		Body (ports P-T front) (ports A-B side)  with ports G 1/4
RA14 U02		Body (ports P-T front) (ports A-B side)  with ports 9/16" - 18 UNF