

# HDF & ED Level Sensing Condensate Drains

## Technical Data

Drain Type	Drain Models	Minimum Operating Pressure		Maximum Operating Pressure		Minimum Operating Temperature		Maximum Operating Temperature	
		bar g	psi g	bar g	psi g	°C	°F	°C	°F
External Float	HDF120 - 220	1	15	16	232	2	35	60	140
Electronic Level Sensing	ED3002 - ED3100	1	15	16	232	2	35	60	140
Electronic Level Sensing	ED4100	16	232	50	725	2	35	50	122

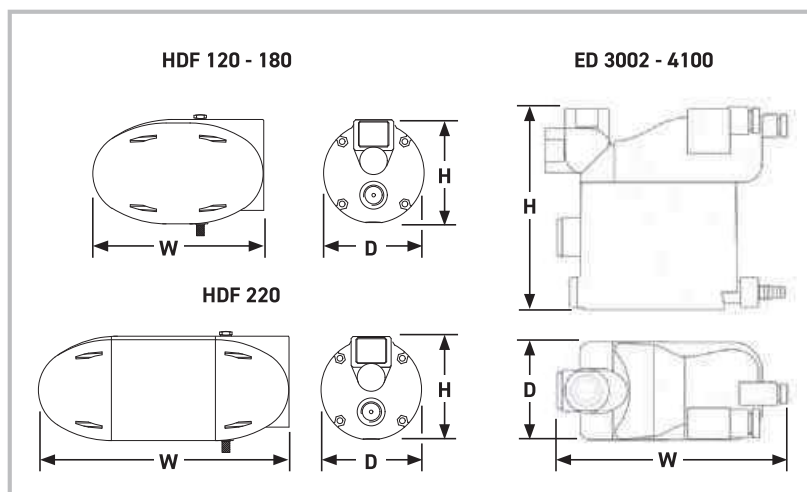
## Flow Rates - Zero Air Loss External Float Drains

Model	Pipe Size		Compressed Air Flow Rate				Electrical Supply
	Inlet	Outlet	L/S	m³/min	m³/hr	cfm	
HDF120-A	½"	½"	1500	90	5400	3178	-
HDF180-A	1"	½"	1667	100	6000	3532	-
HDF220-A	1"	½"	4167	251	15000	8829	-
External float drain (with built-in air vent)							
HDF120	½"	½"	1500	90	5400	3178	-
HDF180	1"	½"	1667	100	6000	3532	-
HDF220	1"	½"	4167	251	15000	8829	-
External float drain (without air vent)							
HDF220BE	1"	½"	1806	109	6500	3826	-
External float drains BioEnergy							

## Flow Rates - Zero Air Loss Electronic Level Sensing Drains

Model	Pipe Size		Compressed Air Flow Rate (Aftercooler / Air Receiver)				Compressed Air Flow Rate (Refrigeration Dryer)				Compressed Air Flow Rate (Filter)				Electrical Supply
	Inlet	Outlet	L/S	m³/min	m³/hr	cfm	L/S	m³/min	m³/hr	cfm	L/S	m³/min	m³/hr	cfm	
ED3002-G230	1 x G½	G¾	-	-	-	-	-	-	-	-	200	12	720	424	230/1/50-60
ED3004-G230	1 x G½	G¾	67	4	240	141	133	8	480	283	667	40	2400	1413	230/1/50-60
ED3007-G230	2 x G½	G¾	117	7	420	247	233	14	840	494	1167	70	4200	2472	230/1/50-60
ED3030-G230	2 x G½	G¾	500	30	1800	1059	1000	60	3600	2119	5000	301	18000	10595	230/1/50-60
ED3100-G230	2 x G½	G¾	1667	100	6000	3532	3334	200	12000	7063	16668	1002	60000	35316	230/1/50-60
230V/1PH/50-60Hz - 16 bar g (232 psi g)															
ED3007-G24D	2 x G½	G¾	117	7	420	247	233	14	840	494	1167	70	4200	2472	24V DC
ED3030-G24D	2 x G½	G¾	500	30	1800	1059	1000	60	3600	2119	5000	301	18000	10595	24V DC
ED3100-G24D	2 x G½	G¾	1667	100	6000	3532	3334	200	12000	7063	16668	1002	60000	35316	24V DC
24V DC - 16 bar g (232 psi g)															
ED4100/50-G230	G½	G¼	1667	100	6000	3532	3334	200	12000	7063	16668	1002	60000	35316	230/1/50-60
230V/1PH/50-60Hz - 50 bar g (725 psi g)															
ED4100/50-G24D	G½	G¼	1667	100	6000	3532	3334	200	12000	7063	16668	1002	60000	35316	24V DC
24V DC - 50 bar g (725 psi g)															

Stated flows are for operation at max operating pressure shown above, ambient air 25°C (77°F) / 60% RH, compressor discharge temperature 35°C (95°F), refrigeration dryer pressure dewpoint +3°C, with reference to 20°C, 1 bar (a), 0% relative water vapour pressure. . Refrigeration dryer and filter flow rates assume adequate condensate drainage upstream.



## Weight & Dimensions

Model	Height (H)		Width (W)		Depth (D)		Weight	
	mm	ins	mm	ins	mm	ins	kg	lbs
HDF120	111	4.4	156	6.1	108	4.3	0.9	2.0
HDF180	111	4.4	156	6.1	108	4.3	0.9	2.0
HDF220	111	4.4	266	10.5	108	4.3	1.9	4.2
HDF220BE	111	4.4	266	10.5	108	4.3	1.9	4.2
ED3002	146	5.7	110	4.3	67	2.6	0.5	1.1
ED3004	139	5.5	101	4.0	67	2.6	0.6	1.3
ED3007	164	6.5	122	4.8	67	2.6	1	2.2
ED3030	164	6.5	137	5.4	67	2.6	1	2.2
ED3100	164	6.5	197	7.8	67	2.6	2	4.4
ED4100	115	4.5	178	7.0	87	3.4	1.9	4.2

## Parker Catalogue Numbers (HDF Drains)

Model	Catalogue Number BSPP / 16 bar g	Catalogue Number BSPP/ 16 bar g + Vent	Catalogue Number NPT / 16 bar g + Vent
HDF120	HDF120	HDF120A	HDF120NPTA
HDF180	HDF180	HDF180A	HDF180NPTA
HDF220	HDF220	HDF220A	HDF220NPTA

## Parker Catalogue Numbers (ED Drains)

Model	Catalogue Number 230V, 50-60 Hz / 16 bar g	Catalogue Number 24V DC / 16 bar g
ED3002	ED3002-G230	-
ED3004	ED3004-G230	-
ED3007	ED3007-G230	ED3007-G24D
ED3030	ED3030-G230	ED3030-G24D
ED3100	ED3100-G230	ED3100-G24D