

Hypercool

Air Cooled Aftercoolers



Highly efficient air cooled after coolers. The Hypercool range represents a cost effective solution to easily remove water vapour and cool compressed air to safe usable levels for many industrial applications.

ADT coolers can be used when cooling water is not available, limiting costs and plant complexity and can prepare the air for further filtration and drying.

Hypercool coolers can be installed immediately downstream of compressors or blowers in order to remove up to 80% of the condensate, protecting the entire compressed air system or production process.

A high quality aftercooler, properly sized is an excellent investment that can help ensure that the compressed air system works efficiently, thereby guaranteeing the quality of the finished product.



Product Features:

- Significant energy and capital investment savings
- Optimised compressed air systems performance
- Reduced maintenance and improved product quality
- Reliability and continuous operation
- Very low pressure drops with optimum cooling performances

Hypercool

Air Cooled Aftercoolers

Robust construction and compact design

Low pressure drop design

Protective grill for fan and heat exchanger

High efficiency and low noise axial fans

Legs or support plate available on request for smaller models



Standard protection with epoxy powder coating

Stainless steel rivets and screws

Full range of matching centrifugal separators "Hypersep"

Extensive range of condensate drains "Hyperdrain"

Operation:

Hot compressed air passes through the ADT copper tubes. Ambient air is forced across these externally finned tubes by the use of an axial fan. Compressed air is cooled to a temperature which can be as little as 10

°C above the ambient temperature. As the compressed air cools down, up to 80% of the water vapour condenses to a liquid and this is efficiently removed by a centrifugal separator installed at the ADT outlet.

Versions:

- Legs and support plate kit for smaller models
- Counterflanges kit
- ADT with copper fins and tubes for marine environments available on request
- Stainless steel centrifugal water separators are available on request

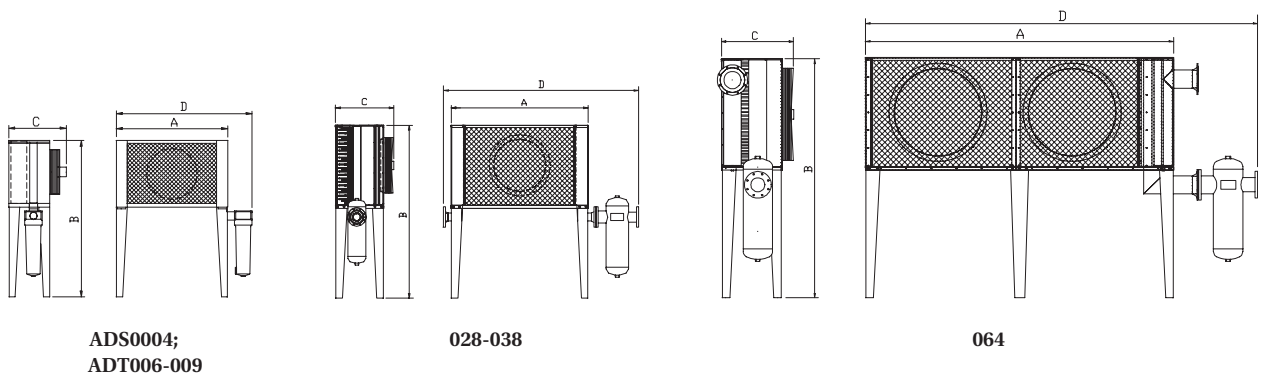
Applications:

- Compressed air cooling and dehumidification
- Pneumatic transportation
- Cooling air before an adsorption dryer
- Glassware-industry
- Railway and transportation industry

Technical data

Aftercooler model	Air flow		Design pressure (barg)	Cooler air conn.	Electrical supply (V/ph/Hz)	Adsorbed current (A)	Pressure drop at nominal conditions (kPa)	Noise level at 10m (dB(A))	Dimensions (mm)				Cooler weight (kg)
	(m ³ /h)	(m ³ /min)							A	B	C	D	
Standard version													
ADS004	210	3,5	16	1½"	230/1/50	0,36	14	44,1	550	1.140	303	715	37
ADT006	360	6	16	1½"	400/3/50	0,29	22	54,2	690	1.315	455	855	58
ADT009	540	9	16	2"	400/3/50	0,52	13	58,5	936	1.315	480	1.173	70
ADT028	1.680	28	16	DN 80	400/3/50	2,70	15	70,3	1.480	1.906	628	2.054	181
ADT038	2.160	36	16	DN 100	400/3/50	2,70	16	70,3	1.580	1.975	590	2.263	211
ADT064	3.840	64	16	DN 150	400/3/50	5,40	26	73,0	2.870	2.239	677	3.650	429

Performances refer to models in standard materials, operating with clean cooler, with air at FAD 20 °C / 1 bar A, and at the following working conditions: air suction 25 °C/60 % RH, 7 barg working pressure, 120 °C compressed air inlet temperature (for water-cooled models), temperature approach between air outlet and water inlet (water-cooled models) or cooling air (air-cooled models) of ca. 10 °C. The performance of models with non standard materials may differ from those quoted above.



Parker Worldwide

Europe, Middle East, Africa

AE – United Arab Emirates, Dubai

Tel: +971 4 8127100
parker.me@parker.com

AT – Austria, Wiener Neustadt

Tel: +43 (0)2622 23501-0
parker.austria@parker.com

AT – Eastern Europe, Wiener Neustadt

Tel: +43 (0)2622 23501 900
parker.easteurope@parker.com

AZ – Azerbaijan, Baku

Tel: +994 50 2233 458
parker.azerbaijan@parker.com

BE/LU – Belgium, Nivelles

Tel: +32 (0)67 280 900
parker.belgium@parker.com

BG – Bulgaria, Sofia

Tel: +359 2 980 1344
parker.bulgaria@parker.com

BY – Belarus, Minsk

Tel: +48 (0)22 573 24 00
parker.poland@parker.com

CH – Switzerland, Etoy

Tel: +41 (0)21 821 87 00
parker.switzerland@parker.com

CZ – Czech Republic, Klecany

Tel: +420 284 083 111
parker.czechrepublic@parker.com

DE – Germany, Kaarst

Tel: +49 (0)2131 4016 0
parker.germany@parker.com

DK – Denmark, Ballerup

Tel: +45 43 56 04 00
parker.denmark@parker.com

ES – Spain, Madrid

Tel: +34 902 330 001
parker.spain@parker.com

FI – Finland, Vantaa

Tel: +358 (0)20 753 2500
parker.finland@parker.com

FR – France, Contamine s/Arve

Tel: +33 (0)4 50 25 80 25
parker.france@parker.com

GR – Greece, Athens

Tel: +30 210 933 6450
parker.greece@parker.com

HU – Hungary, Budaörs

Tel: +36 23 885 470
parker.hungary@parker.com

IE – Ireland, Dublin

Tel: +353 (0)1 466 6370
parker.ireland@parker.com

IL – Israel

Tel: +39 02 45 19 21
parker.israel@parker.com

IT – Italy, Corsico (MI)

Tel: +39 02 45 19 21
parker.italy@parker.com

KZ – Kazakhstan, Almaty

Tel: +7 7273 561 000
parker.easteurope@parker.com

NL – The Netherlands, Oldenzaal

Tel: +31 (0)541 585 000
parker.nl@parker.com

NO – Norway, Asker

Tel: +47 66 75 34 00
parker.norway@parker.com

PL – Poland, Warsaw

Tel: +48 (0)22 573 24 00
parker.poland@parker.com

PT – Portugal

Tel: +351 22 999 7360
parker.portugal@parker.com

RO – Romania, Bucharest

Tel: +40 21 252 1382
parker.romania@parker.com

RU – Russia, Moscow

Tel: +7 495 645-2156
parker.russia@parker.com

SE – Sweden, Spånga

Tel: +46 (0)8 59 79 50 00
parker.sweden@parker.com

SK – Slovakia, Banská Bystrica

Tel: +421 484 162 252
parker.slovakia@parker.com

SL – Slovenia, Novo Mesto

Tel: +386 7 337 6650
parker.slovenia@parker.com

TR – Turkey, Istanbul

Tel: +90 216 4997081
parker.turkey@parker.com

UA – Ukraine, Kiev

Tel: +48 (0)22 573 24 00
parker.poland@parker.com

UK – United Kingdom, Warwick

Tel: +44 (0)1926 317 878
parker.uk@parker.com

ZA – South Africa, Kempton Park

Tel: +27 (0)11 961 0700
parker.southafrica@parker.com

North America

CA – Canada, Milton, Ontario

Tel: +1 905 693 3000

US – USA, Cleveland

Tel: +1 216 896 3000

Asia Pacific

AU – Australia, Castle Hill

Tel: +61 (0)2-9634 7777

CN – China, Shanghai

Tel: +86 21 2899 5000

HK – Hong Kong

Tel: +852 2428 8008

IN – India, Mumbai

Tel: +91 22 6513 7081-85

JP – Japan, Tokyo

Tel: +81 (0)3 6408 3901

KR – South Korea, Seoul

Tel: +82 2 559 0400

MY – Malaysia, Shah Alam

Tel: +60 3 7849 0800

NZ – New Zealand, Mt Wellington

Tel: +64 9 574 1744

SG – Singapore

Tel: +65 6887 6300

TH – Thailand, Bangkok

Tel: +662 186 7000

TW – Taiwan, Taipei

Tel: +886 2 2298 8987

South America

AR – Argentina, Buenos Aires

Tel: +54 3327 44 4129

BR – Brazil, Sao Jose dos Campos

Tel: +55 800 727 5374

CL – Chile, Santiago

Tel: +56 2 623 1216

MX – Mexico, Toluca

Tel: +52 72 2275 4200

EMEA Product Information Centre

Free phone: 00 800 27 27 5374

(from AT, BE, CH, CZ, DE, DK, EE, ES, FI, FR, IE, IL, IS, IT, LU, MT, NL, NO, PL, PT, RU, SE, SK, UK, ZA)

US Product Information Centre

Toll-free number: 1-800-27 27 537

www.parker.com/gsf

