

MXLE Large Flow Heatless Low Energy Adsorption Dryers

Dryer Performance

Dryer Models	Dewpoint (Standard)		ISO8573-1:2010 Classification (Standard)	Dewpoint (Option 1)		ISO8573-1:2010 Classification (Option 1)	Dewpoint (Option 2)		ISO8573-1:2010 Classification (Option 2)
	°C	°F		°C	°F		°C	°F	
MXLE	-40	-40	Class 2.2.2	-70	-100	Class 2.1.2	-20	-4	Class 2.3.2

ISO8573-1 Classifications when used with OIL-X pre / post filtration

Technical Data

Dryer Models	Minimum Operating Pressure		Maximum Operating Pressure		Minimum Operating Temperature		Maximum Operating Temperature		Maximum Ambient Temperature		Electrical Supply (Standard)	Electrical Supply (Optional)	Thread Type	Noise Level dB(A)
	bar g	psi g	bar g	psi g	°C	°F	°C	°F	°C	°F				
MXLE 102C - MXLE 108	5	73	13	190	5	41	50	122	55	131	400V +/-10% 3PH 50Hz	460V +/-10% 3PH 60Hz	BSPP	<75

Flow Rates

Model	Pipe Size	Inlet Flow Rate			
		L/s	m³/min	m³/hr	cfm
MXLE 102C	2"	113	6.81	408	240
MXLE 103C	2"	170	10.22	612	360
MXLE 103	2"	213	12.75	765	450
MXLE 104	2½"	283	17	1020	600
MXLE 105	2½"	354	21	1275	750
MXLE 106	2½"	425	26	1530	900
MXLE 107	2½"	496	30	1785	1050
MXLE 108	2½"	567	34	2040	1200

Vacuum Pump Part Number & kW

Vacuum Pump 50Hz	Pump kW 50Hz	Vacuum Pump 60Hz	Pump kW 60Hz
MXLEP2C-E	3	MXLEP2C-E-60	4.8
MXLEP3C-E	3	MXLEP3C-E-60	4.8
MXLEP3-E	4	MXLEP3-E-60	6.5
MXLEP4-E	5.5	MXLEP4-E-60	9
MXLEP5-E	5.5	MXLEP5-E-60	9
MXLEP6-E	8	MXLEP6-E-60	13
MXLEP7-E	9.5	MXLEP7-E-60	15.5
MXLEP8-E	9.5	MXLEP8-E-60	15.5

For Higher Flow Capacities - Contact Parker

Dryer & vacuum pump to be ordered separately.

Stated flows are for operation at 7 bar (g) (102 psi g) with reference to 20°C, 1 bar (a), 0% relative water vapour pressure. For flows at other pressures, apply the correction factors shown below.

Product Selection & Correction Factors

For correct operation, compressed air dryers must be sized using for the maximum (summer) inlet temperature, maximum (summer) ambient temperature, minimum inlet pressure, required outlet dewpoint and maximum flow rate of the installation.

To select a dryer, first calculate the MDC (Minimum Drying Capacity) using the formula below then select a dryer from the flow rate table above with a flow rate equal to or above the MDC.

Minimum Drying Capacity = System Flow x CFMIT x CFMAT x CFMIP x CFOD

CFMIT - Correction Factor Maximum Inlet Temperature

Maximum Inlet Temperature	°C	25	30	35	40	45	50
	°F	77	86	95	104	113	122
Correction Factor		1.00	1.00	1.00	1.04	1.14	1.37

CFMAT - Correction Factor Maximum Ambient Temperature

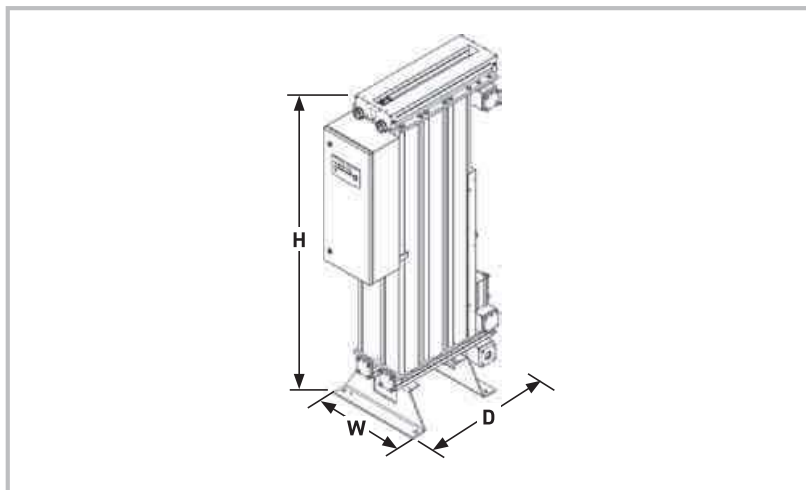
Maximum Ambient Temperature	°C	25	30	35	40	45	50
	°F	77	86	95	104	113	122
Correction Factor		1.00	1.00	1.00	1.00	1.00	1.00

CFMIP - Correction Factor Minimum Inlet Pressure

Minimum Inlet Pressure	bar g	4	5	6	7	8	9	10	11	12	13
	psi g	58	73	87	100	116	131	145	160	174	189
Correction Factor		1.60	1.33	1.14	1.00	0.89	0.80	0.73	0.67	0.62	0.57

CFOD - Correction Factor Outlet Dewpoint

Outlet Dewpoint	°C	-20	-40	-70
	°F	-4	-40	-100
Correction Factor		0.91	1.00	1.43



Included Filtration

Model	Pipe Size BSPB	Dryer Inlet		Dryer Outlet		
		General Purpose Pre-filter	High Efficiency Filter	Oil Vapour Reduction Filter	General Purpose Dry Particulate Filter	High Efficiency Dry Particulate Filter
MXLE 102C	2"	AOP040H	AAP040H	-	AOP040H	-
MXLE 103C	2"	AOP040H	AAP040H	-	AOP040H	-
MXLE 103	2"	AOP040H	AAP040H	-	AOP040H	-
MXLE 104	2½"	AOP045I	AAP045I	-	AOP045I	-
MXLE 105	2½"	AOP050I	AAP050I	-	AOP050I	-
MXLE 106	2½"	AOP050I	AAP050I	-	AOP050I	-
MXLE 107	2½"	AOP055I	AAP055I	-	AOP055I	-
MXLE 108	2½"	AOP055I	AAP055I	-	AOP055I	-

Weights & Dimensions

Model	Dimensions (Dryer Only)						Weight (Dryer Only)	
	Height (H)		Width (W)		Depth (D)		kg	lbs
	mm	ins	mm	ins	mm	ins		
MXLE 102C	1647	64.8	793	31.5	550	21.7	265	583
MXLE 103C	1647	64.8	962	37.9	550	21.7	346	761
MXLE 103	1892	74.5	962	37.9	550	21.7	385	847
MXLE 104	1892	74.5	1131	44.6	550	21.7	480	1056
MXLE 105	1892	74.5	1300	51.2	550	21.7	573	1261
MXLE 106	1892	74.5	1469	57.9	550	21.7	667	1467
MXLE 107	1892	74.5	1641	64.6	550	21.7	761	1674
MXLE 108	1892	74.5	1807	71.2	550	21.7	855	1881

Parker Catalogue Numbers

Model	Catalogue Number -20°C PDP / -40°C CPDP	Catalogue Number -70°C PDP	50Hz Vacuum Pump Part Numbers	60Hz Vacuum Pump Part Numbers	Dryer Upgrade Kit Part Numbers
MXLE102C	MXLE102C	MXLE102C-70	MXLEP2C-E	MXLEP2C-E-60	MXLEK2C
MXLE103C	MXLE103C	MXLE103C-70	MXLEP3C-E	MXLEP3C-E-60	MXLEK3C
MXLE103	MXLE103	MXLE103-70	MXLEP3-E	MXLEP3-E-60	MXLEK3
MXLE104	MXLE104	MXLE104-70	MXLEP4-E	MXLEP4-E-60	MXLEK4
MXLE105	MXLE105	MXLE105-70	MXLEP5-E	MXLEP5-E-60	MXLEK5
MXLE106	MXLE106	MXLE106-70	MXLEP6-E	MXLEP6-E-60	MXLEK6
MXLE107	MXLE107	MXLE107-70	MXLEP7-E	MXLEP7-E-60	MXLEK7
MXLE108	MXLE108	MXLE108-70	MXLEP8-E	MXLEP8-E-60	MXLEK8