



PNEUDRI Midas

DAS1 - DAS7

Preventative Maintenance Guide



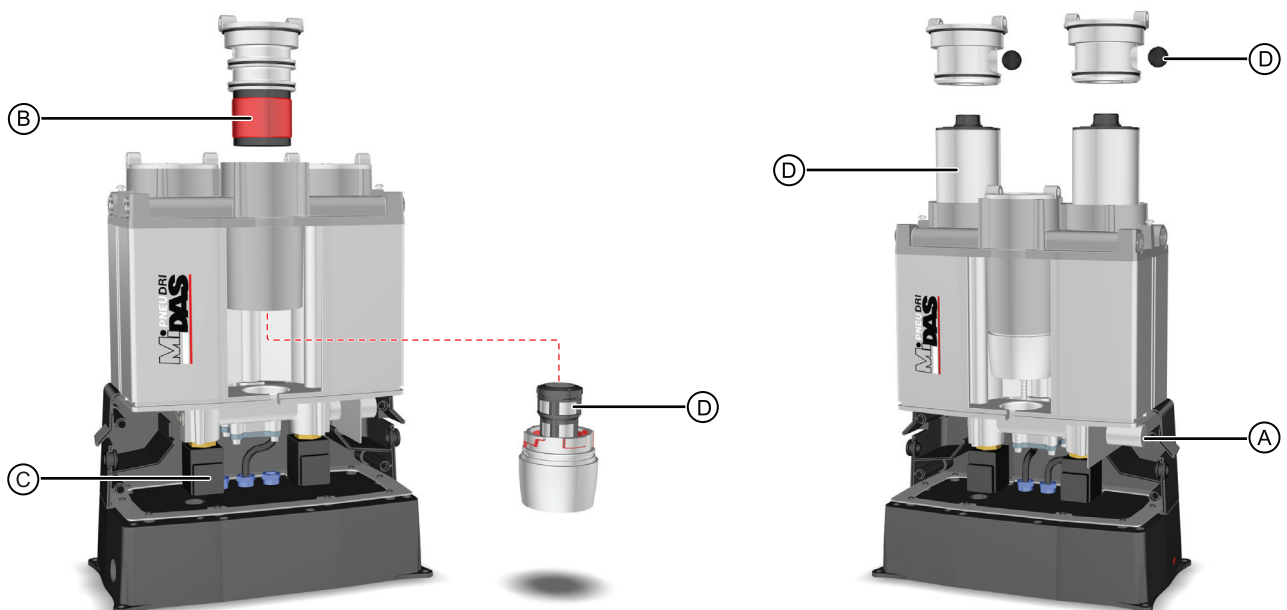
Service intervals

Description of Service Required		Service recommended every: ⁽¹⁾						
Component	Operation	Day	Week	2000 Hours (3-month)	4000 Hours (6-month)	8000 Hours (12-month)	12000 Hours or 24-month	20000 Hours (30-month)
Dryer	Check POWER ON indicator is illuminated.	☞						
Dryer	Check STATUS / FAULT indicators located on the controller.	☞						
Dryer	Check for air leaks.		☞					
Dryer	Check the condition of electrical supply cables and conduits.			☞				
Dryer	Replace the active exhaust silencers Recommended Service A					🔧		
Filtration	Replace the pre-filter. Recommended Service B					🔧		
Dryer	Replace the exhaust valves Recommended Service C						🔧	
Dryer	Replace the desiccant Recommended Service D						🔧	

(1) The service operations should be performed at the hours run or fixed time intervals specified (whichever occurs first)

Key:

☞	Check	🔧	Replace
---	-------	---	---------



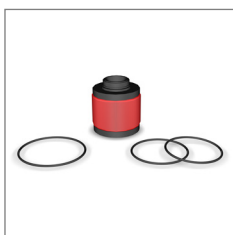
Preventative Maintenance Kits

Recommended Service A - Required every 8000 Hours (12 months)



Description	Catalogue Number	Technical Reference	Contents
Kit: Silencer Element	608310003	608310003	1/4" BSP Silencer

Recommended Service B - Required every 8000 Hours (12 months)



Description	Catalogue Number	Technical Reference	Contents
Kit: Filter Element	608203146	608203146	AA Pre-filter Associated o-rings

Recommended Service C - Required every 12000 Hours or 24 months



Description	Catalogue Number	Technical Reference	Contents
Kit: Exhaust Valve MiDAS 50Hz	608310001	608310001	50Hz Solenoid Valves Valve cores Valve Springs
Kit: Exhaust Valve MiDAS 60Hz	608310002	608310002	60Hz Solenoid Valves Valve cores Valve Springs

Recommended Service D - Required every 12000 Hours or 24 months



Description	Catalogue Number	Technical Reference	Contents
DASMK1	DASMK1	608203081	Each kit contains: Desiccant cartridges MiDAS drain spanner Autodrain 1/4" BSP Silencer AA Pre-filter 3/4" Balls Associated o-rings Push in plug
DASMK2	DASMK2	608203082	
DASMK3	DASMK3	608203083	
DASMK4	DASMK4	608203084	
DASMK5	DASMK5	608203085	
DASMK6	DASMK6	608203086	
DASMK7	DASMK7	608203087	



Servicereminder.com is a web based reminder service designed to track when service work is due to be carried out. This enables you to contact our customers at the optimum time to sell replacement filter elements and other service kits. It is free to register simply log on to www.servicereminder.com and select New User Registration.

Parker Worldwide

AE – UAE, Dubai
Tel: +971 4 8127100
parker.me@parker.com

AR – Argentina, Buenos Aires
Tel: +54 3327 44 4129

AT – Austria, Wiener Neustadt
Tel: +43 (0)2622 23501-0
parker.austria@parker.com

AT – Eastern Europe, Wiener Neustadt
Tel: +43 (0)2622 23501 900
parker.easteurope@parker.com

AU – Australia, Castle Hill
Tel: +61 (0)2-9634 7777

AZ – Azerbaijan, Baku
Tel: +994 50 2233 458
parker.azerbaijan@parker.com

BE/LU – Belgium, Nivelles
Tel: +32 (0)67 280 900
parker.belgium@parker.com

BR – Brazil, Cachoeirinha RS
Tel: +55 51 3470 9144

BY – Belarus, Minsk
Tel: +375 17 209 9399
parker.belarus@parker.com

CA – Canada, Milton, Ontario
Tel: +1 905 693 3000

CH – Switzerland, Etoy
Tel: +41 (0) 21 821 02 30
parker.switzerland@parker.com

CL – Chile, Santiago
Tel: +56 2 623 1216

CN – China, Shanghai
Tel: +86 21 5031 2525

CZ – Czech Republic, Klecany
Tel: +420 284 083 111
parker.czechrepublic@parker.com

DE – Germany, Kaarst
Tel: +49 (0)2131 4016 0
parker.germany@parker.com

DK – Denmark, Ballerup
Tel: +45 43 56 04 00
parker.denmark@parker.com

ES – Spain, Madrid
Tel: +34 902 33 00 01
parker.spain@parker.com

FI – Finland, Vantaa
Tel: +358 (0)20 753 2500
parker.finland@parker.com

FR – France, Contamine s/Arve
Tel: +33 (0)4 50 25 80 25
parker.france@parker.com

GR – Greece, Athens
Tel: +30 210 933 6450
parker.greece@parker.com

HK – Hong Kong
Tel: +852 2428 8008

HU – Hungary, Budapest
Tel: +36 1 220 4155
parker.hungary@parker.com

IE – Ireland, Dublin
Tel: +353 (0)1 466 6370
parker.ireland@parker.com

IN – India, Mumbai
Tel: +91 22 6513 7081-85

IT – Italy, Corsico (MI)
Tel: +39 02 45 19 21
parker.italy@parker.com

JP – Japan, Tokyo
Tel: +(81) 3 6408 3901

KR – South Korea, Seoul
Tel: +82 2 559 0400

KZ – Kazakhstan, Almaty
Tel: +7 7272 505 800
parker.easteurope@parker.com

LV – Latvia, Riga
Tel: +371 6 745 2601
parker.latvia@parker.com

MX – Mexico, Apodaca
Tel: +52 81 8156 6000

MY – Malaysia, Shah Alam
Tel: +60 3 7849 0800

NL – The Netherlands, Oldenzaal
Tel: +31 (0)541 585 000
parker.nl@parker.com

NO – Norway, Ski
Tel: +47 64 91 10 00
parker.norway@parker.com

NZ – New Zealand, Mt Wellington
Tel: +64 9 574 1744

PL – Poland, Warsaw
Tel: +48 (0)22 573 24 00
parker.poland@parker.com

PT – Portugal, Leca da Palmeira
Tel: +351 22 999 7360
parker.portugal@parker.com

RO – Romania, Bucharest
Tel: +40 21 252 1382
parker.romania@parker.com

RU – Russia, Moscow
Tel: +7 495 645-2156
parker.russia@parker.com

SE – Sweden, Spånga
Tel: +46 (0)8 59 79 50 00
parker.sweden@parker.com

SG – Singapore
Tel: +65 6887 6300

SK – Slovakia, Banská Bystrica
Tel: +421 484 162 252
parker.slovakia@parker.com

SL – Slovenia, Novo Mesto
Tel: +386 7 337 6650
parker.slovenia@parker.com

TH – Thailand, Bangkok
Tel: +662 717 8140

TR – Turkey, Istanbul
Tel: +90 216 4997081
parker.turkey@parker.com

TW – Taiwan, Taipei
Tel: +886 2 2298 8987

UA – Ukraine, Kiev
Tel +380 44 494 2731
parker.ukraine@parker.com

UK – United Kingdom, Warwick
Tel: +44 (0)1926 317 878
parker.uk@parker.com

US – USA, Cleveland
Tel: +1 216 896 3000

VE – Venezuela, Caracas
Tel: +58 212 238 5422

ZA – South Africa, Kempton Park
Tel: +27 (0)11 961 0700
parker.southafrica@parker.com

European Product Information Centre

Free phone: 00 800 27 27 5374

(from AT, BE, CH, CZ, DE, DK, ES, FI, FR, IE, IT, NL, NO, PL, PT, RU, SE, UK, ZA)