

NBC TWO STAGE HYDRAULIC PUMPS OPERATING SPECIFICATIONS



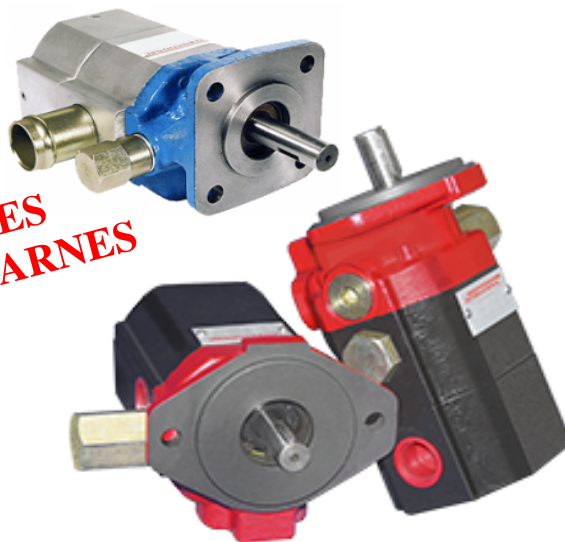
FEATURES:

- COMPACT / LIGHT WEIGHT 5.5 lbs / 2.6 kgs
- HEAVY DUTY ALUMINUM CONSTRUCTION
- CAST IRON FRONT COVER
- INTEGRATED: UNLOADING & CHECK VALVE
- WIDE SPEED RANGE: 400 - 3600 RPM
- HIGH WORKING PRESSURE: 3000 PSI
- INCREASE CYCLE TIME / LESS HORSE POWER

APPLICATIONS

- LOG SPLITTERS
- COMPACTORS
- HYDRAULIC PRESSES
- ANY APPLICATION REQUIRING
HIGH FLOW @ LOW PRESSURE
LOW FLOW @ HIGH PRESSURE

**REPLACES
HALDEX / BARNES**



NBC LOW FLOW MODELS (NBC-8 to NBC-16)

MODEL CODE	NOMINAL FLOW (GPM) 3600 RPM	MAXIMUM SPEED	LOW PRESSURE GEAR DISPL.	HIGH PRESSURE GEAR DISPL.	MAXIMUM PRESSURE
NBC-8	8 GPM	3600 RPM	.385 in3/rev	.13 in3/rev	3000 PSI
NBC-8.5	8.5 GPM	3600 RPM	.385 in3/rev	.183 in3/rev	3000 PSI
NBC-9	9 GPM	3600 RPM	.385 in3/rev	.22 in3/rev	3000 PSI
NBC-10	10 GPM	3600 RPM	.537 in3/rev	.13 in3/rev	3000 PSI
NBC-10.5	10.5 GPM	3600 RPM	.537 in3/rev	.183 in3/rev	3000 PSI
NBC-11	11 GPM	3600 RPM	.537 in3/rev	.22 in3/rev	3000 PSI
NBC-11.5	11.5 GPM	3600 RPM	.537 in3/rev	.256 in3/rev	3000 PSI
NBC-12	12 GPM	3600 RPM	.665 in3/rev	.13 in3/rev	3000 PSI
NBC-12.5	12.5 GPM	3600 RPM	.665 in3/rev	.183 in3/rev	3000 PSI
NBC-13	13 GPM	3600 RPM	.665 in3/rev	.22 in3/rev	3000 PSI
NBC-13.5	13.5 GPM	3600 RPM	.665 in3/rev	.256 in3/rev	3000 PSI
NBC-16	16 GPM	3600 RPM	.793 in3/rev	.265 in3/rev	3000 PSI

**** NOW AVAILABLE 22 / 28 SIZES ****

Indicates standard stocked displacements

NBC HIGH FLOW MODELS (NBC-22 & NBC-28)

MODEL CODE	NOMINAL FLOW (GPM) 3600 RPM	MAXIMUM SPEED	LOW PRESSURE GEAR DISPL.	HIGH PRESSURE GEAR DISPL.	MAXIMUM PRESSURE
NBC-22	22 GPM	3600 RPM	.93 in3/rev	.465 in3/rev	3000 PSI
NBC-28	28 GPM	3600 RPM	1.395 in3/rev	.465 in3/rev	3000 PSI

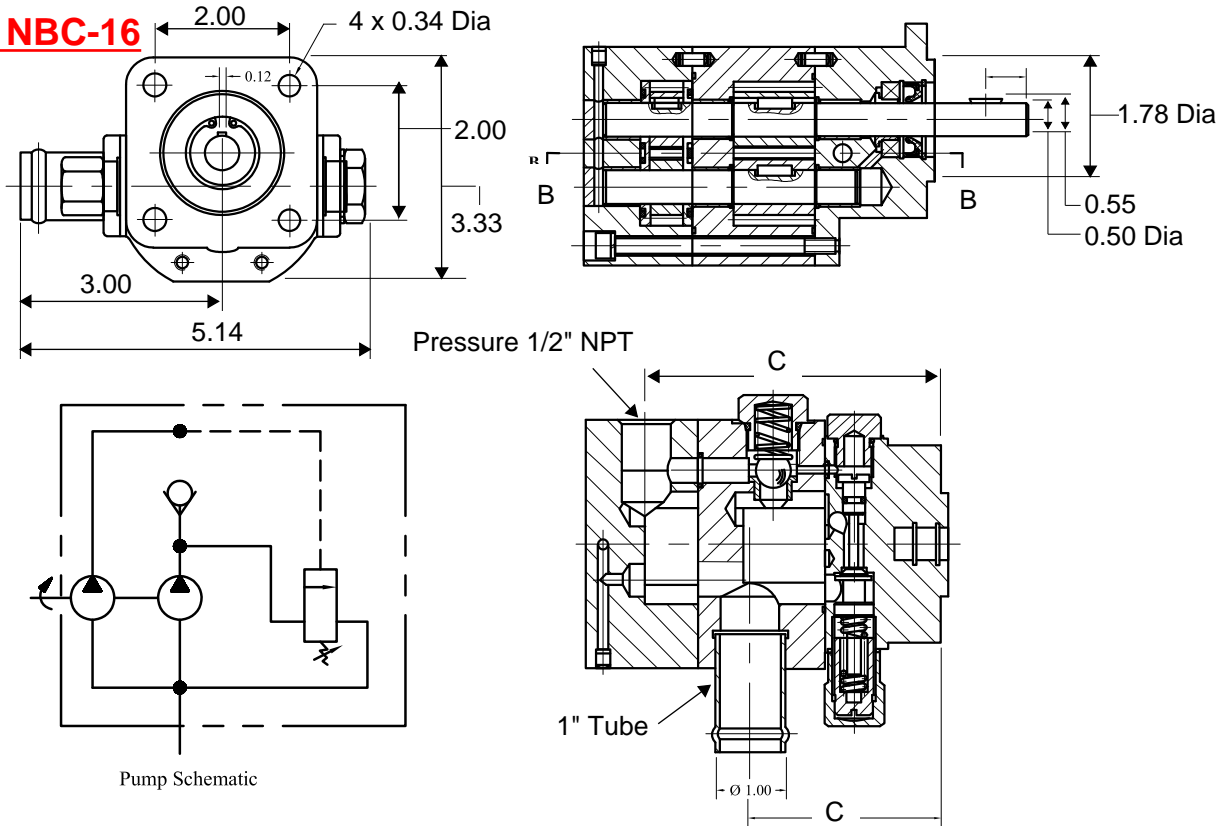
** Unloading relief adjustment range 400 - 900 PSI (Factory set 650 psi)

* Flows shown are at 3600 RPM

NBC TWO STAGE HYDRAULIC PUMPS DIMENSIONAL DATA



NBC-8 to NBC-16



MODEL	DIMENSIONS			MODEL	DIMENSIONS			MODEL	DIMENSIONS		
	A	B	C		A	B	C		A	B	C
NBC- 8	6.07	3.74	2.41	NBC- 10.5	6.54	4.08	2.74	NBC- 12.5	6.90	4.53	3.04
NBC- 8.5	6.21	3.90	2.41	NBC- 11	6.61	4.24	2.74	NBC- 13	7.00	4.53	3.04
NBC- 9	6.28	3.90	2.74	NBC-11.5	6.70	4.24	2.74	NBC- 13.5	7.09	4.53	3.04
NBC- 10	6.41	4.08	2.74	NBC- 12	6.70	4.37	3.04	NBC- 16	6.70	4.37	3.04

NBC-22 & NBC-28

