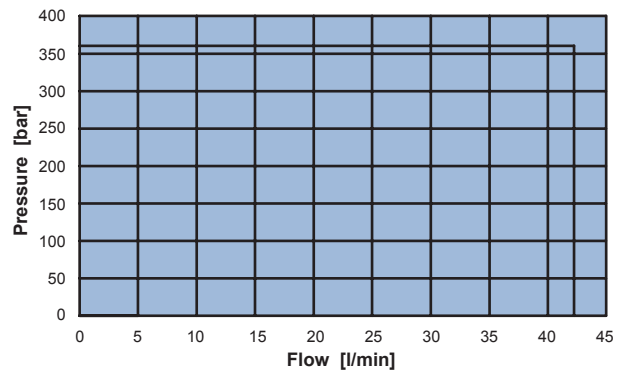
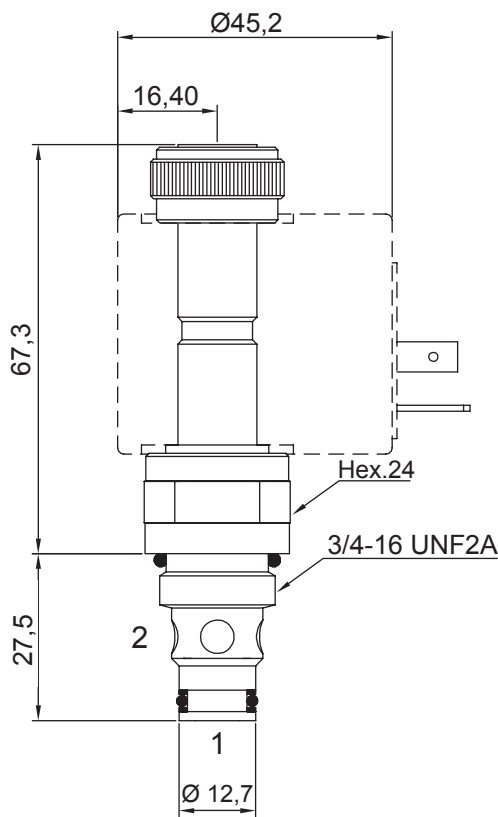
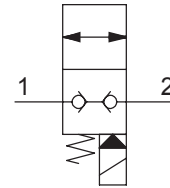
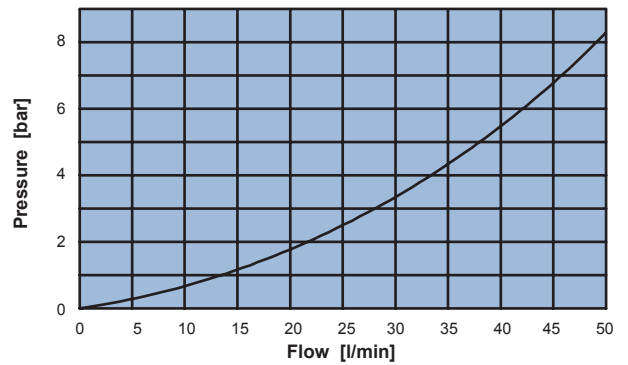


2 WAY 2 POSITION ELECTRIC POPPET VALVE, PILOT OPERATED NC

- Flow **40 l/min**
- Max working pressure **350 bar**
- Leakage **0,25 cc/min**
- Seals **NBR and PTFE**
- Cartridge tightening torque **30 Nm**
- Ring nut tightening torque **5 Nm**
- Weight (with coil) **0,32 Kg**
- Cavity **C220000** page 208
- Body **171202** page 186
- Coil (to be ordered separately) **09400** page 179



Application limits from 2 to 1 and 1 to 2



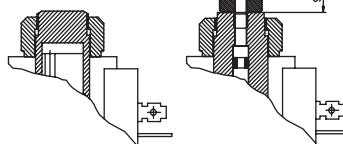
Pressure drop from 2 to 1 and from 1 to 2

Ordering code

0 5 1 2 1 0 0 [] 0 0

0

6



No emergency Unscrew type