

# NITROSource Compact PSA Nitrogen Gas Generator

Please contact Parker for NITROSource Compact performance data or visit [parker.com/gsf](http://parker.com/gsf).

## Inlet Parameters

<b>Inlet Air Quality</b>	ISO 8573-1: 2010 Class 2.2.2 (2.2.1 with high oil vapour content)
<b>Inlet Air Pressure Range</b>	6 - 10 bar g (87 - 145 psi g)

## Electrical Parameters

<b>Generator Supply</b>	100 - 240 +/- 10% Vac 50/60Hz
<b>Generator Power</b>	55 W
<b>Fuse</b>	3.15 A (Anti Surge (T), 250v, 5 x 20mm HBC, Breaking Capacity 1500A @ 250v, IEC 60127, UL R/C Fuse)

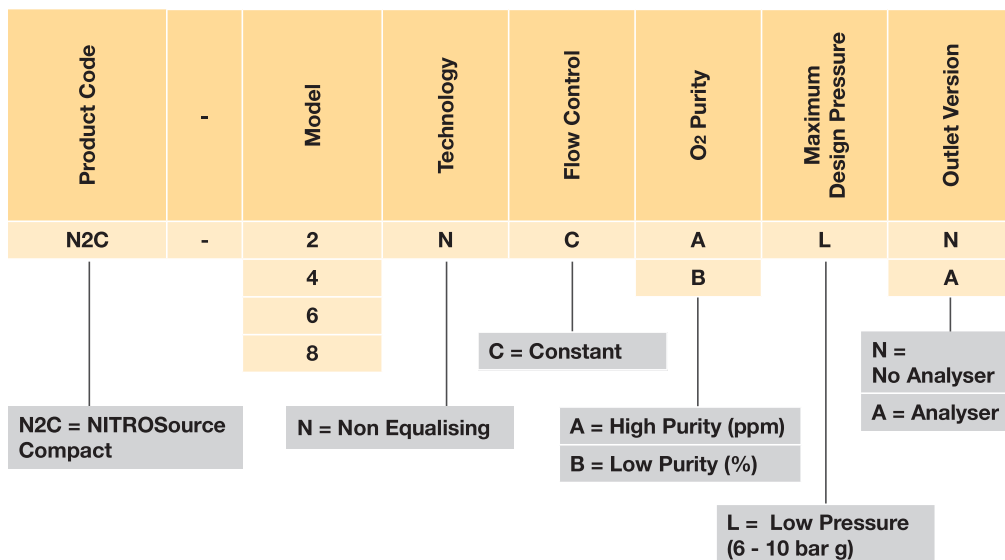
## Environmental Parameters

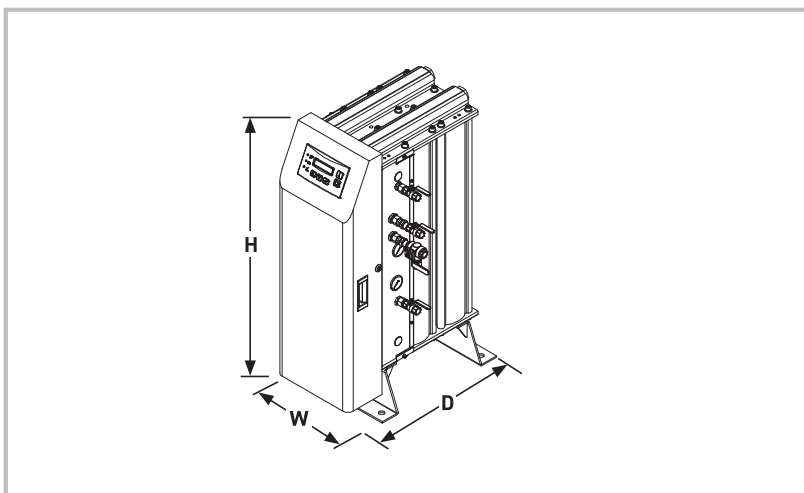
<b>Ambient Temperature</b>	5 - 50°C (41 - 122°F)
<b>Humidity</b>	50% @ 40°C (80% @ MAX @ 31°C)
<b>IP Rating</b>	IP20 / NEMA 1
<b>Pollution Degree</b>	2
<b>Installation Category</b>	II
<b>Altitude</b>	< 2000 m (6562 ft)
<b>Noise</b>	<80 dB (A)

## Port Connections

<b>Air Inlet</b>	G1
<b>N2 Outlet to Buffer</b>	G1
<b>N2 Inlet from Buffer</b>	G½
<b>N2 Outlet</b>	G½

## Part Number Breakdown / Product Key





## Weights and Dimensions

Model	Unpacked								Packed							
	Height (H)		Width (W)		Depth (D)		Weight		Height		Width		Depth		Weight	
	mm	ins	mm	ins	mm	ins	kg	lbs	mm	ins	mm	ins	mm	ins	kg	lbs
N2C-2	1034	41	450	18	471	19	98	216	1490	59	612	24	950	38	174	383
N2C-4					640	26	145	320							221	487
N2C-6					809	33	196	432							272	597
N2C-8					977	38	249	549							303	668

## Preventative Maintenance Kits

Part Number	Description / Service Interval	Contents
606280162	12 Month MIST-X Silencer Kit (Every 12 Months)	MIST-X 150 Silencer
P010AO	12 Month Filter Element Kit (Every 12 Months)	P001AO Dust Filter Element
M24.PPM.0002	24 Month PPM Service Kit (Every 24 Months)	PPM Cell c/w Wiring
M24.PCT.0002	24 Month Percentage Service Kit (Every 24 Months)	% Cell c/w Wiring
606510003	24 Month Valve Overhaul Kit - Generator With Analyser (Every 24 Months)	Air Inlet Valves (x2) Exhaust Valves (x2) Outlet Valves (x2)
606510005	24 Month Valve Overhaul Kit - Generator Without Analyser (Every 24 Months)	Air Inlet Valves (x2) Exhaust Valves (x2) Outlet Valve