

NITROSource PSA Nitrogen Gas Generator

Technical Data

Model	Nitrogen Flow Rates m ³ /hr vs Purity (Oxygen Content)													
	Parts Per Million (ppm)						Percent (%)							
	5	10	50	100	250	500	0.10	0.40	0.50	1	2	3	4	5
N2-20P	3.5	4.5	6.7	8.0	9.7	11.1	12.4	16.7	17.7	21.3	25.3	29.8	30.9	33.7
N2-25P	5.3	6.8	10.1	12.0	14.6	16.7	18.6	25.1	26.6	32.0	38.0	44.7	46.4	50.6
N2-35P	7.0	9.0	13.4	16.0	19.4	22.2	24.8	33.4	35.4	42.6	50.6	59.6	61.8	67.4
N2-45P	8.8	11.3	16.8	20.0	24.3	27.8	31.0	41.8	44.3	53.3	63.3	74.5	77.3	84.3
N2-55P	10.5	13.5	20.1	24.0	29.1	33.3	37.2	50.1	53.1	63.9	75.9	89.4	92.7	101.1
N2-60P	11.6	15.0	22.3	26.6	32.3	36.9	41.2	55.5	58.9	70.8	84.1	99.1	102.7	112.1
N2-65P	13.3	17.1	25.5	30.4	36.9	42.2	47.1	63.5	67.3	80.9	96.1	113.2	117.4	128.1
N2-75P	14.5	18.6	27.7	33.1	40.2	46.0	51.3	69.1	73.3	88.2	104.7	123.4	127.9	139.5
N2-80P	16.1	20.7	30.8	36.8	44.6	51.1	57.0	76.8	81.4	98.0	116.4	137.1	142.1	155.0

Performance data is based on 7 bar g air inlet pressure and 20°C - 25°C ambient temperature. Consult Parker for performance under specific conditions.

m³ reference standard 20°C, 1013 millibar(a), 0% relative water vapour pressure.

Inlet Parameters

Inlet Air Quality	ISO 8573-1: 2010 Class 2.2.2 (2.2.1 with high oil vapour content)
Inlet Air Pressure Range	5 - 13 bar g (72.5 - 217 psi g)

Electrical Parameters

Generator Supply	100 - 240 +/- 10% Vac 50/60Hz
Generator Power	55 W
Fuse	3.15 A (Anti Surge (T), 250v, 5 x 20mm HBC, Breaking Capacity 1500A @ 250v, IEC 60127, UL R/C Fuse)

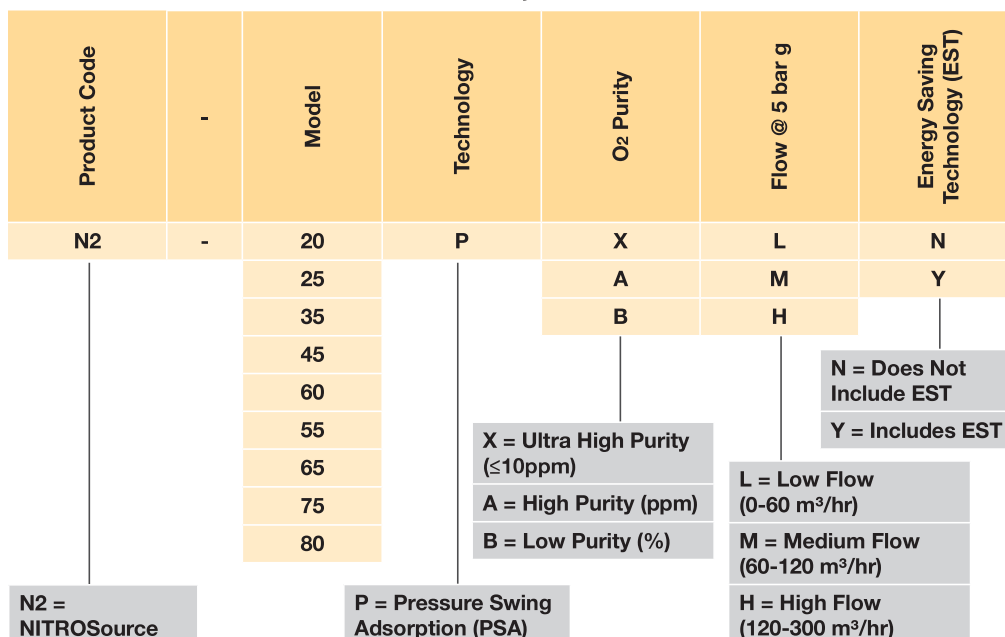
Environmental Parameters

Ambient Temperature	5 - 50°C (41 - 122°F)
Humidity	50% @ 40°C (80% @ MAX @ 31°C)
IP Rating	IP20 / NEMA 1
Pollution Degree	2
Installation Category	II
Altitude	< 2000 m (6562 ft)
Noise	<80 dB (A)

Port Connections

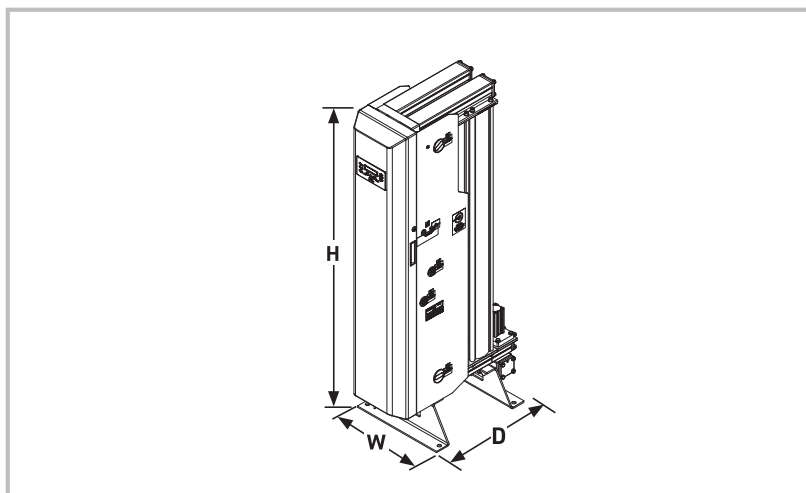
Air Inlet	G1
N2 Outlet to Buffer	G1
N2 Inlet from Buffer	G½
N2 Outlet	G½

Part Number Breakdown / Product Key



Buffer Vessel Sizes

Model	Size (litres)
N2-20P	250
N2-25P	500
N2-35P	500
N2-45P	750
N2-55P	750
N2-60P	750
N2-65P	1000
N2-75P	1000
N2-80P	1000



Weights and Dimensions

Model	Unpacked								Packed							
	Height (H)		Width (W)		Depth (D)		Weight		Height		Width		Depth		Weight	
	mm	ins	mm	ins	mm	ins	kg	lbs	mm	ins	mm	ins	mm	ins	kg	lbs
N2-20P	1894	74.6	550	21.7	881	34.7	299	658	729	28.7	2000	78.7	1090	42.9	398.4	876
N2-25P					1050	41.3	384	845					1260	49.6	495.4	1090
N2-35P					1219	48.0	469	1032					1430	56.3	580.4	1277
N2-45P					1388	54.6	553	1217					1600	63.0	686.4	1510
N2-55P					1557	61.3	638	1404	832	32.8			1770	69.7	782.4	1721
N2-60P					1726	68.0	722	1588					1935	76.2	897.4	1974
N2-65P					1895	74.6	807	1775					2100	82.7	997.4	2194
N2-75P					2064	81.3	892	1962					2275	89.6	1093.4	2405
N2-80P					2233	87.9	976	2147					2445	96.3	1186.4	2610

Preventative Maintenance Kits

Model	High Purity Generators (ppm)		Low Purity Generators (%)	
	Without EST (Model Nos. N2XXPAXN)	With EST (Model Nos. N2XXPAXY)	Without EST (Model Nos. N2XXPBXN)	With EST (Model Nos. N2XXPBXY)
Kit Part Numbers	M12.NONEST.0001 M24.PPM.0002 M36.STD.0001 M60.STD.0001	M12.EST.0001 M24.PPM.0002 M36.STD.0001 M60.STD.0001	M12.NONEST.0001 M24.PCT.0002 M36.STD.0001 M60.STD.0001	M12.EST.0001 M24.PCT.0002 M36.STD.0001 M60.STD.0001

Kit Contents

Part Number	Description / Service Interval	Contents
M12.NONEST.0001	12 Month Non EST Service Kit (Every 12 Months)	Exhaust Silencer P025AO Dust Filter Element
M12.EST.0001	12 Month EST Service Kit (Every 12 Months)	Exhaust Silencer P025AO Dust Filter Element In-Line Filter
M24.PPM.0002	24 Month PPM Service Kit (Every 24 Months)	PPM Cell c/w Wiring
M24.PCT.0002	24 Month Percentage Service Kit (Every 24 Months)	% Cell c/w Wiring
M36.STD.0001	36 Month Standard Service Kit (Every 36 Months)	8 Bank Solenoid Valve
M60.STD.0001	60 Month Standard Service Kit (Every 24 Months)	40 x 25mm Stroke Cylinders (x6) Over Moulded Valve Discs and Guides (x6) 50 x 100mm Stroke Cylinders (x2) Valve Discs (x2 Sets) Valve Bonnets (x2) Assorted O-Rings Fixing Screws