

Natural Gas Filters

Balston Compressed Gas Filters

Balston high flow rate compressed gas filters offer exceptionally high efficiency coalescing filtration of compressed gas at high flow rates. Specifically designed to remove suspended liquids and dirt from pipeline natural gas, the housings are ASME Code Stamped up to 1440 psig (100 barg). Equipped with Balston Microfibre® Grade DX Disposable Filter Cartridges, the filters are rated at 93% retention of 0.01 micron.



Product Features

- Pressure rating to 1440 psig (100 barg)
- Meets US and Canadian codes for natural gas filters
- Flow rates to 183 million standard cubic feet per day
- High efficiency removal of suspended liquid and solid impurities

Sample and Instrumentation Filtration



High Pressure Process Gas Filtration



Stainless Steel Filtration Vessels for Corrosive Environments



High Volume Gas Filtration



Natural Gas Filters

2" Through 10" Line Size Filters



Model AKH-0280



Model AKH-0880

Balston Compressed Gas Filters

Balston high flow rate compressed gas filters offer exceptionally high efficiency coalescing filtration of compressed gas at high flow rates. Specifically designed to remove suspended liquids and dirt from pipeline natural gas, the housings are ASME Code Stamped up to 1440 psig. Equipped with Balston Microfibre® Grade DX Disposable Filter Cartridges, the filters are rated at 93% retention of 0.01 micron and essentially 100% retention of 5 micron liquid droplets and particles.

Since the coalesced liquid drains continuously from the filter cartridges as rapidly as it is collected, the filters have an unlimited capacity for liquid removal.

Each filter cartridge is mounted on a rigid permanent filter holder with a vibration-resistant removable tube retainer. The filter cartridge is self-gasketing, and the filter holder is designed so that a perfect seal is easily made, even when the tube is replaced by an operator unfamiliar with the equipment.

Series AKH, and AHC housings are available with inlet and outlet ports covering the range from 2" to 10" pipe sizes. The standard carbon steel units have pressure ratings from 665 to 1440 psig (46 to 99 barg).

Each AHC assembly is equipped with internal support cores and one set of filter cartridges. Also available is a complete line of stainless steel filter housings ASME code stamped for a rated maximum operating pressure of 200 psig (14 barg).

Natural Gas Filters

2" Through 4" Line Size Filters

Principal Specifications

Model	Port Size Flange (7)	Closure Type*	Maximum Temperature (3)	Maximum Pressure (1)	Shipping Weight	Dimensions (7, 10)	Flange to Flange Dimension
15/80S6	2"	SS	400°F (204°C)	800 psig (35 barg)	32 lbs.(44 kg)	6.3"D X 28"L (16 cm X 71 cm)	—
AHC-0180-[]	2"	SD	130°F (54°C)	1440 psig (99 barg)	98 lbs.(14.4 kg)	32"H x 15"W x 4.5" (81cm x 38cm x 11cm)	14.5" (37cm)
AKH-0280-[]	3"	FSO	250°F (121°C)	665 psig (46 barg)	235 lbs.(107 kg)	41"H x 16"W x 8" (104cm x 41cm x 20cm)	15.63" (40cm)
AHC-0280-[]	3"	SD	130°F (54°C)	1440 psig (99 barg)	220 lbs.(100 Kg)	43"H x 17"W x 12" (109cm x 43cm x 30cm)	16.63" (42cm)
AKH-0480-[]	4"	FSO	250°F (121°C)	665 psig (46 barg)	270 lbs.(122 kg)	40"H x 21"W x 6" (102cm x 53cm x 15cm)	20.63" (52cm)
AHC-0480-[]	4"	SD	130°F (54°C)	1440 psig (99 barg)	450 lbs.(204 kg)	50"H x 21"W x 15" (127cm x 53cm x 38cm)	20.63" (52cm)

Model	Port Size Flange (12)	Materials of Construction	Maximum Temperature	Maximum Pressure (9)	Shipping Weight	Dimensions (7, 10)	Flange to Flange Dimension
KS-0280-3	3"	316SS Housing, Viton Seals	200°F (93°C)	200 psig (14 barg)	140 lbs.	36"h x 15.6"w x 7.75" (91cm x 40cm x 20cm)	15.62" (40cm)
KS-0480-4	4"	316SS Housing, Viton Seals	200°F (93°C)	200 psig (14 barg)	210 lbs.	35.5"h x 20.6"w x 6.25" (90cm x 52cm x 16cm)	20.63" (52cm)

Notes

- Vessel is ASME Section VIII, Div. 1 code stamped for rated pressure.
- All vessels are constructed of carbon steel with Type 303 stainless steel filter cartridge holders and Buna-N seals.
- Maximum operating temperature of carbon steel vessel is 650°F (343°C). Minimum operating (process and ambient) temperature is -20°F (-30°C).

Max. Temp.

- 250°F (121°C)
- 400°F (204°C)
- 500°F (260°C)

Seal Material

- Buna
- Viton
- Silicone

4 Model 20-211 drain is installed on all AKS housings. Maximum operating pressure for the 20-211 drain is 400 psig (28 barg).

5 Differential Pressure Indicator and Auto-

matic Drain are not included with AHC and AKH Assemblies. Series AHC Assemblies are equipped with internal support cores and one set of filter cartridges.

6 ANSI Flange Classes:

- AKH Series: 300 lbs. (136 kg) R.F.S.O.
- AHC Series: 600 lbs. (273 kg) R.F.S.O.

7 Dimensions are height x width x center of flange-to-floor height.

*Closure Abbreviations:

SD: Screw type closure with Buna N "O" ring

FSO: Flat (flanged) top with swing bolts and Buna N "O" ring.

Ordering Information

For assistance, call toll-free at 1-800-343-4048 8AM to 5PM Eastern Time

Model	Automatic Float Drain	Differential Pressure Indicator (5)	Filter Cartridges No. Required	Box of 10 Cartridges (8)
15/80S6	—	—	—	200-80-□
AHC-0180-DX	—	—	1	200-80-DX
AKH-0280-DX	20-211 (13)	—	2	200-80-DX
AHC-0280-DX	—	—	2	200-80-DX
AKH-0480-DX	20-211 (13)	—	4	200-80-DX
AHC-0480-DX	—	—	4	200-80-DX
AKS-0280-DX	20-211 or 20-440 (13)	—	2	200-80-□
AKS-0480-DX	20-211 or 20-440 (13)	—	4	200-80-□

Notes:

8 To order filter cartridges, indicate Grade by putting appropriate letters after size designation. For example, to order Grade DX cartridges for KS-0280-3 housing, order 200-80-DX. Microfibre Filter Cartridges are sold in boxes of 10.

9 Vessel is ASME Section VIII, Division 1 code stamped for rated pressure at 200°F (93°C). Maximum pressure ratings are for temperatures to 200°F (93°C). Please consult factory for maximum pressure ratings at elevated temperatures.

10 All dimensions are approximate. Request certified drawing for installation dimensions.

11 Requires element retainer #27900, one for each cartridge. Order separately.

12 All flanges are ANSI 150#RFSSO.

13 20-211 Auto Float Drain, 20-440 Auto Electric Solenoid Drain.

Natural Gas Filters

6" Through 10" Line Size Filters

Principal Specifications

Model	Port Size Flange (7)	Closure Type*	Maximum Temperature (3)	Maximum Pressure (1)	Shipping Weight	Dimensions (8)	Flange to Flange Dimension
AKH-0880-[]	6"	FSO	250°F (121°C)	665 psig (46 barg)	560 lbs.(254 kg)	43"h x 25"w x 8.5" (109cm x 64cm x 22cm)	24.75" (63cm)
AHC-0880-[]	6"	SD	130°F (54°C)	1440 psig (99 barg)	980 lbs.(445 kg)	54"h x 25"w x 18" (137cm x 64cm x 46cm)	24.75" (63cm)
AKH-1480-[]	8"	FSO	250°F (121°C)	665 psig (46 barg)	1120 lbs.(508 kg)	54"h x 34"w x 16" (137cm x 86cm x 41cm)	34" (86cm)
AKH-2280-[]	10"	FSO	250°F (121°C)	665 psig (46 barg)	1430 lbs.(649 kg)	57"h x 36"w x 17" (145cm x 91cm x 43cm)	36" (91 cm)

Model	Port Size Flange (13)	Materials of Construction	Maximum Temperature	Maximum Pressure (10)	Shipping Weight	Dimensions (8, 11)	Flange to Flange Dimension
AKS-0880-[]	6"	316SS Housing, Viton Seals	200°F (93°C)	200 psig (14 barg)	360 lbs.(163 kg)	38"h x 24.75"w x 7.5" (97cm x 63cm x 19cm)	24.75" (63cm)
AKS-1480-[]	8"	316SS Housing, Viton Seals	200°F (93°C)	200 psig (14 barg)	590 lbs.(268 kg)	54"h x 34"w x 16.25" (137cm x 86cm x 41cm)	34" (86cm)
AKS-2280-[]	10"	316SS Housing, Viton Seals	200°F (93°C)	200 psig (14 barg)	880 lbs.(400 kg)	56"h x 36"w x 17.25" (142cm x 91cm x 44cm)	36" (91cm)

Ordering Information

For assistance, call toll-free at 1-800-343-4048 8AM to 5PM Eastern Time

Model	Automatic Float Drain	Differential Pressure Indicator (5)	Filter Cartridges No. Required	Box of 10 Cartridges
AKH-0880-DX	—	—	8	200-80-DX
AHC-0880-DX	—	—	8	200-80-DX
AKC-1480-DX	20-211	41-071	14	200-80-DX
AKC-2280-DX	20-211	41-071	22	200-80-DX
AKS-0880-DX or BX	20-211 or 20-440 (14)	—	8	200-80-DX or BX
AKS-1480-DX or BX	20-211 or 20-440 (14)	—	14	200-80-DX or BX
AKS-2280-DX or BX	20-211 or 20-440 (14)	—	22	200-80-DX or BX

Natural Gas Filters

Flow Rates

High Pressure Filter Housings

Flow Rate at 2 psi (0.14 bar) Drop at Indicated Line Pressure with 200-80-DX filter Cartridges

Assembly	40 psig (3 bar)		100 psig (7 bar)		200 psig (14 bar)		400 psig (28 bar)		600 psig (41 bar)		1000 psig (69 bar)		1400 psig (97bar)	
	MM SCFD (MNm ³ /hr)	SCFM (Nm ³ /min)	MM SCFD (MNm ³ /hr)	SCFM (Nm ³ /min)	MM SCFD (MNm ³ /hr)	SCFM (Nm ³ /min)	MM SCFD (MNm ³ /hr)	SCFM (Nm ³ /min)	MM SCFD (MNm ³ /hr)	SCFM (Nm ³ /min)	MM SCFD (MNm ³ /hr)	SCFM (Nm ³ /min)	MM SCFD (MNm ³ /hr)	SCFM (Nm ³ /min)
AHC-0180	0.8 (0.02)	595 (16.9)	1.8 (0.05)	1250 (35.4)	3.3 (0.09)	2340 (66.3)	6.5 (0.18)	4515 (128)	9.4 (0.27)	6700 (190)	15.9 (0.45)	11050 (313)	22.2 (0.63)	15400 (436)
AKH-0280* AHC-0280	1.7 (0.05)	1190 (33.7)	3.6 (0.10)	2500 (70.8)	6.7 (0.19)	4680 (133)	13.0 (0.37)	9030 (256)	19.2 (0.54)	13400 (379)	31.8 (0.90)	22100 (626)	44.4 (1.26)	30800 (872)
AKH-0480* AHC-0480	3.5 (0.10)	2430 (68.8)	7.3 (0.21)	5100 (144)	13.8 (0.39)	9550 (270)	26.5 (0.75)	18400 (521)	39.5 (1.12)	27300 (773)	64.9 (1.84)	45100 (1277)	90.5 (2.56)	62900 (1781)
AKH-0880* AHC-0880	7.0 (0.20)	4910 (139)	14.8 (0.42)	10300 (292)	27.8 (0.79)	19300 (547)	53.6 (1.52)	37200 (1054)	79.5 (2.25)	55200 (1563)	131 (3.71)	91100 (2580)	183 (5.18)	127000 (3597)
AKH-1480*	12.3 (0.35)	8580 (243)	25.9 (0.73)	18000 (510)	48.5 (1.73)	33700 (954)	93.6 (2.65)	65050 (1842)	139 (3.94)	96400 (2730)	—	—	—	—
AKH-2280*	19.2 (0.54)	13350 (378)	40.3 (1.14)	28000 (793)	75.4 (2.14)	52400 (1484)	145 (4.11)	101000 (2860)	216 (6.12)	150000 (425)	—	—	—	—

MM SCFD = Million Standard Cubic Feet per Day MSm³/d = Million Standard Cubic Meters per Day

SCFM = Standard Cubic Feet per Minute Sm³ = Cubic Meters per Minute

*Note: AKH Series Rated to 665 psig

Stainless Steel Filter Housings

Flow Rate SCFM (Nm³/min) at 2 psi Drop at Indicated Line Pressure

Assembly	Grade	2 psig (0.14 barg)	20 psig (1.4 barg)	60 psig (4.1 barg)	80 psig (5.5 barg)	100 psig (6.9 barg)	150 psig (10 barg)	200 psig (14 barg)
AKS-0280	DX	364 (10)	760 (22)	1630 (44)	2065 (58)	2500 (71)	3600 (102)	4680 (133)
	BX	90 (3)	190 (5)	400 (11)	510 (14)	620 (18)	890 (25)	1160 (33)
AKS-0480	DX	760 (22)	1540 (44)	3320 (94)	4210 (119)	5100 (144)	7300 (207)	9550 (270)
	BX	180 (5)	380 (11)	810 (23)	1025 (29)	1240 (35)	1780 (50)	2320 (66)
AKS-0880	DX	1500 (42)	3120 (88)	6710 (190)	8505 (241)	10300 (92)	14800 (419)	19300 (547)
	BX	360 (10)	750 (21)	1620 (46)	2050 (58)	2480 (70)	3560 (101)	4640 (131)
AKS-1480	DX	2620 (74)	5450 (154)	11720 (332)	14860 (421)	18000 (510)	25800 (731)	33700 (954)
	BX	630 (18)	1310 (37)	2830 (80)	3585 (102)	4340 (23)	6230 (176)	8120 (230)
AKS-2280	DX	4080 (116)	8470 (240)	18230 (516)	23115 (655)	28000 (793)	40200 (1138)	52400 (1484)
	BX	1000 (28)	2070 (59)	4460 (126)	5655 (160)	6850 (94)	9840 (279)	12800 (362)

Natural Gas
Filters

Natural Gas Filters

Low Pressure Natural Gas Filters

New LF/FF Series Multiple Cartridge Filter Assemblies

These filter assemblies provide high efficiency filtration of gas at very high flow rates. With inlet and outlet ports accommodating 3" to 10" pipe sizes, the new LF/FF Series housings are capable of flow rates up to a maximum capacity of 37,350 SCFM (63,450 m³/h) at 100 psig (7 barg). The standard carbon steel units, which are generally in stock (through 6" line sizes), have pressure ratings up to 250 psig.



All LF/FF series housings are ASME Code Stamped for the rated maximum operating pressure. All FF Series vessels have built-in legs for floor mounting. Selected models have swing bolt enclosures for easy access to the internals. The filter cartridges in all models are sealed by tightening the threaded retainer cap onto the rigid tie rod, ensuring a leak tight seal on both ends of the cartridge.

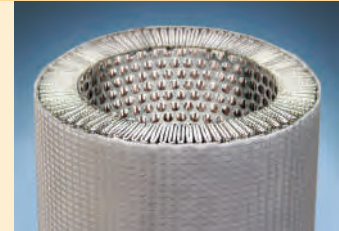
Each assembly is equipped with a carbon steel automatic float drain, differential pressure indicator, and a set of filter cartridges (except where noted).

NEW!

High Flow Coalescing Filter Media HFC Grade

Efficiency: 99.5% @ 0.5 micron

Balston's HFC media consists of two layers. The outer layer features a dense matrix of glass fibers. It provides highly efficient coalescing aerosol removal and very low pressure drop. The inner layer, or initial stage of filtration, effectively traps dirt particles, protecting and extending the life of the outer layer. A metal retainer is used for strength and stability. This media is used in bulk coalescing applications and when relatively high efficiency and low pressure drop are required.



High Efficiency Coalescing Media HEC Grade

Efficiency: 99.97% @ 0.01 micron

Air Flow: Inside to Outside

This coalescing element is composed of an epoxy saturated borosilicate glass micro-fiber tube. The HEC grade filter has a pleated cellulose inner layer as a built-in prefilter. This element is metal retained for added strength, and includes a synthetic fabric layer.

HEC filters are used when "total removal of liquid aerosols and suspended fines" is required. Because of its overall performance characteristics, this grade is most often recommended.



Benefits

<i>Low Pressure Drop</i>	<i>Heat and Chemical Resistant</i>
<i>Lower Change out/Labor Costs</i>	<i>No Wet Zone</i>
<i>Lower Energy Costs</i>	<i>Oleophobic/Hydrophobic</i>
<i>High Dirt Holding Capacity</i>	<i>High Burst Strength</i>

Natural Gas Filters

Low Pressure Natural Gas Filters

**HFC MEDIA Max. Rated Flows SCFM at Various Operating Pressures
(0.25 psi pressure drop)**

Model Number	2 PSIG	20 PSIG	40 PSIG	80 PSIG	100 PSIG	125 PSIG	150 PSIG	175 PSIG	200 PSIG	220 PSIG	250 PSIG
ALN3-0128-HFC	363	753	1187	2056	2490	3033	3575	4118	4661	5095	5746
ALF3-0128-HFC	363	753	1187	2056	2490	3033	3575	4118	4661	5095	5746
ALF4-0125-HFC	483	1004	1583	2741	3320	4044	4767	5491	6215	6793	N/A
ALF6-0136-HFC	725	1507	2375	4112	4980	6065	7151	8236	9322	10190	N/A
ALF6-0336-HFC	1088	2260	3562	6167	7470	9098	10726	12354	13983	15285	N/A
AFN3-0128-HFC	363	753	1187	2056	2490	3033	3575	4118	4661	5095	5746
AFF3-0128-HFC	363	753	1187	2056	2490	3033	3575	4118	4661	5095	5746
AFF4-0125-HFC	483	1004	1583	2741	3320	4044	4767	5491	6215	6793	N/A
AFF6-0136-HFC	725	1507	2375	4112	4980	6065	7151	8236	9322	10190	11493
AFF6-0328-HFC	1088	2260	3562	6167	7470	9098	10726	12354	13983	15285	N/A
AFF8-0428-HFC	1450	3013	2464	8223	9960	12131	14302	16472	18644	20380	22984
AFF10-0728-HFC	2538	5273	8312	14391	17430	21229	25028	28826	32627	35665	40222
AFF12-1128-HFC	3988	8286	13062	22614	27390	33360	39330	45298	51271	56045	63206
AFF16-1528-HFC	5438	11299	17812	30837	37350	45491	53632	61770	69915	76425	86190

**HEC MEDIA Max. Rated Flows SCFM at Various Operating Pressures
(1.5 psi pressure drop)**

Model Number	2 PSIG	20 PSIG	40 PSIG	80 PSIG	100 PSIG	125 PSIG	150 PSIG	175 PSIG	200 PSIG	220 PSIG	250 PSIG
ALN3-0128-HEC	218	454	715	1238	1500	1827	2154	2481	2808	3069	3462
ALF3-0128-HEC	218	454	715	1238	1500	1827	2154	2481	2808	3069	3462
ALF4-0125-HEC	219	605	954	1651	2000	2436	2872	3308	3744	4092	N/A
ALF6-0136-HEC	437	908	1431	2477	3000	3654	4308	4962	5616	6139	N/A
ALF6-0328-HEC	654	1362	2145	3714	4500	5481	6462	7443	8424	9207	N/A
AFN3-0128-HEC	218	454	715	1238	1500	1827	2154	2481	2808	3069	3462
AFF3-0128-HEC	218	454	715	1238	1500	1827	2154	2481	2808	3069	3462
AFF4-0125-HEC	291	605	954	1651	2000	2436	2872	3308	3744	4092	N/A
AFF6-0136-HEC	437	908	1431	2477	3000	3654	4308	4962	5616	6139	6923
AFF6-0328-HEC	654	1362	2145	3714	4500	5481	6462	7443	8424	9207	N/A
AFF8-0428-HEC	872	1816	2860	4952	6000	7308	8616	9924	11232	12276	13848
AFF10-0728-HEC	1526	3178	5005	8666	10500	12789	15078	17367	19656	21483	24234
AFF12-1128-HEC	2398	4994	7865	13618	16500	20097	23694	27291	30888	33759	38082
AFF16-1528-HEC	3270	6810	10725	18570	22500	27405	32310	37215	42120	46035	51930

Natural Gas
Filters

Natural Gas Filters

Low Pressure Natural Gas Filters

**HFC MEDIA Max. Rated Flows Nm³/hr at Various Operating Pressures
(0.02 bar pressure drop)**

Model Number	0.14 barg	1.4 barg	2.8 barg	5.5 barg	6.9 barg	8.6 barg	10 barg	12 barg	14 barg	15 barg	17 barg
ALN3-0128-HFC	617	1279	2017	3493	4231	5153	6074	6996	7919	8656	9762
ALF3-0128-HFC	617	1279	2017	3493	4231	5153	6074	6996	7919	8656	9762
ALF4-0125-HFC	821	1706	2690	4657	5641	6871	8099	9329	10559	11541	N/A
ALF6-0136-HFC	1232	2560	4035	6986	8461	10304	12150	13993	15838	17313	N/A
ALF6-0336-HFC	1849	3840	6052	10478	12692	15458	18223	20989	23757	25969	N/A
AFN3-0128-HFC	617	1279	2017	3493	4231	5153	6074	6996	7919	8656	9762
AFF3-0128-HFC	617	1279	2017	3493	4231	5153	6074	6996	7919	8656	9762
AFF4-0125-HFC	821	1706	2690	4657	5641	6871	8099	9329	10559	11541	N/A
AFF6-0136-HFC	1232	2560	4035	6986	8461	10304	12150	13993	15838	17313	19527
AFF6-0328-HFC	1849	3840	6052	10478	12692	15458	18223	20989	23757	25969	N/A
AFF8-0428-HFC	2464	5119	8070	13971	16922	20611	24299	27989	31676	34626	39050
AFF10-0728-HFC	4312	8959	14122	24450	29614	36068	42523	48975	55433	60595	68337
AFF12-1128-HFC	6776	14078	22192	38421	46536	56679	66822	76961	87109	95220	107387
AFF16-1528-HFC	9239	19197	30263	52392	63458	77289	91121	104947	118786	129846	146437

**HEC MEDIA Max. Rated Flows Nm³/hr at Various Operating Pressures
(0.1 bar pressure drop)**

Model Number	0.14 barg	1.4 barg	2.8 barg	5.5 barg	6.9 barg	8.6 barg	10 barg	12 barg	14 barg	15 barg	17 barg
ALN3-0128-HEC	370	771	1215	2103	2549	3104	3660	4215	4771	5214	4183
ALF3-0128-HEC	370	771	1215	2103	2549	3104	3660	4215	4771	5214	4183
ALF4-0125-HEC	372	1028	1621	2805	3398	4139	4880	5620	6361	6952	N/A
ALF6-0136-HEC	742	1543	2431	4208	5097	6208	7319	8430	9542	10430	N/A
ALF6-0328-HEC	1111	2314	3466	6310	7646	9312	10979	12646	14312	15643	N/A
AFN3-0128-HEC	370	771	1215	2103	2549	3104	3660	4215	4771	5214	4183
AFF3-0128-HEC	370	771	1215	2103	2549	3104	3660	4215	4771	5214	4183
AFF4-0125-HEC	494	1028	1621	2805	3398	4139	4880	5620	6361	6952	N/A
AFF6-0136-HEC	742	1543	2431	4208	5097	6208	7319	8432	9542	10430	11762
AFF6-0328-HEC	1111	2314	3644	6310	7646	9312	10979	12646	14312	15643	N/A
AFF8-0428-HEC	1482	3085	4859	8413	10194	12416	14639	16861	19083	20857	23528
AFF10-0728-HEC	2593	5399	8503	14724	17840	21729	25618	29507	33396	36500	41174
AFF12-1128-HEC	4074	8485	13363	23137	28034	34145	40256	46367	52479	57357	64701
AFF16-1528-HEC	5556	11570	18222	31550	38228	46561	54895	63228	71562	78213	88229

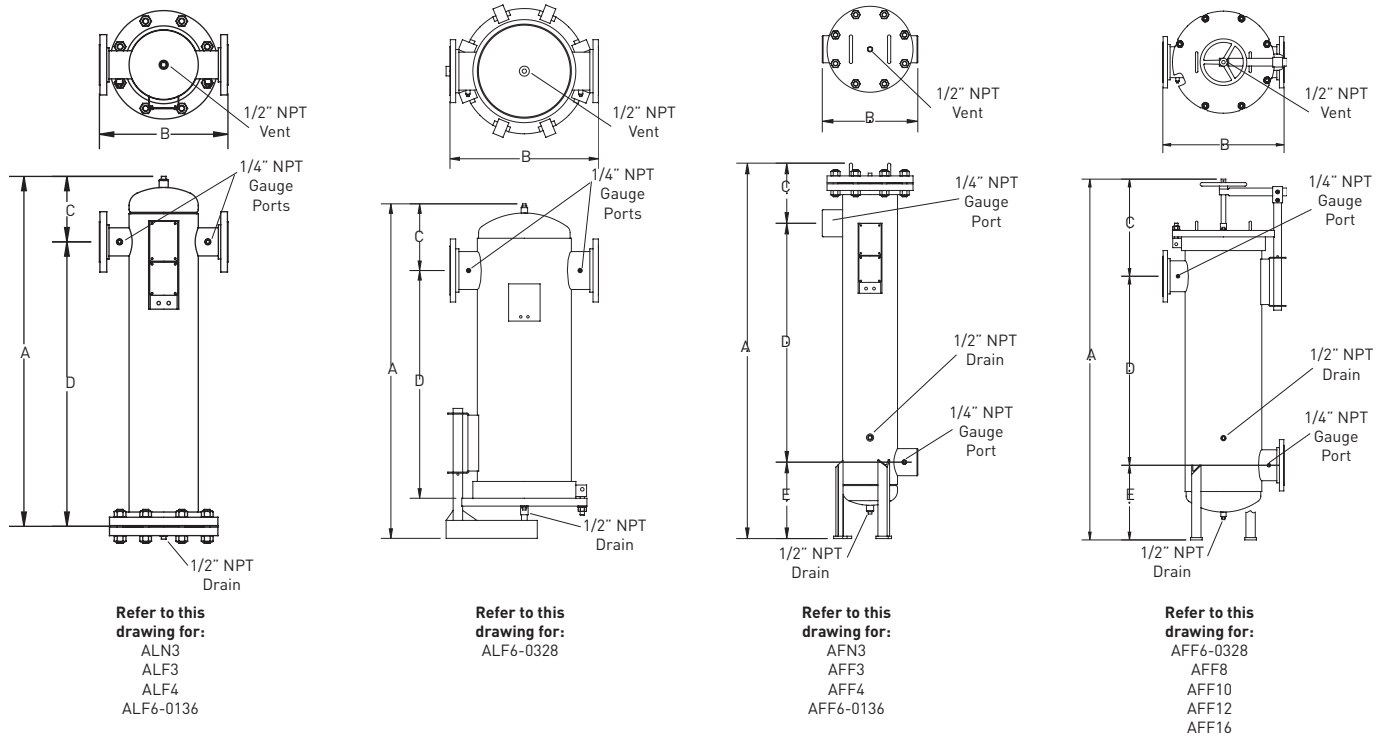
Natural Gas Filters

Housing Selection Chart

Model Number	HFC Replacement Element	HEC Replacement Element	Port Size	Port Type	# of Elements
LINE MOUNT VESSELS					
ALN3-0128-H?C	510-28- HFC	510-28-HEC	3	NPT	1
ALF3-0128-H?C	510-28- HFC	510-28- HEC	3	FLANGE	1
ALF4-0125-H?C	850-25- HFC	850-25- HEC	4	FLANGE	1
ALF6-0136-H?C	850-36- HFC	850-36- HEC	6	FLANGE	1
ALF6-0328-H?C	510-28- HFC	510-28- HEC	6	FLANGE	3
FLOOR MOUNT VESSELS					
AFN3-0128-H?C	510-28- HFC	510-28- HEC	3	NPT	1
AFF3-0128-H?C	510-28- HFC	510-28- HEC	3	FLANGE	1
AFF4-0125-H?C	850-25- HFC	850-25- HEC	4	FLANGE	1
AFF6-0136-H?C	850-36- HFC	850-36- HEC	6	FLANGE	1
AFF6-0328-H?C	510-28- HFC	510-28- HEC	6	FLANGE	3
AFF8-0428-H?C	510-28- HFC	510-28- HEC	8	FLANGE	4
AFF10-0728-H?C	510-28- HFC	510-28- HEC	10	FLANGE	7
AFF12-1128-H?C	510-28- HFC	510-28- HEC	12	FLANGE	11
AFF16-1528-H?C	510-28- HFC	510-28- HEC	16	FLANGE	15

Natural Gas Filters

Drawings, Dimensions & Specifications



Dimensions	A	B	C	D	E	Element Removal Clearance inches (centimeters)	Sump Capacity gallons (liters)	Weight pounds (kilograms)
ALN3	43.1 (109.5)	15.0 (38.1)	7.7 (19.5)	35.4 (89.9)	—	28 (71.1)	0.81 (3)	190 (86)
ALF3	43.1 (109.5)	16.0 (40.6)	7.7 (19.5)	35.4 (89.9)	—	28 (71.1)	0.81 (3)	190 (86)
ALF4	42.7 (108.5)	20.0 (50.8)	9.7 (24.6)	33.0 (83.8)	—	25 (63.5)	2.0 (7)	380 (173)
ALF6-0136	56.4 (143.3)	20.0 (50.8)	11.4 (29.0)	45.0 (114.3)	—	36 (91.4)	2.0 (7)	380 (173)
ALF6-0328	57.8 (146.8)	26.0 (66.0)	11.0 (27.9)	39.8 (101.1)	—	28 (71.1)	2.0 (7)	340 (155)
AFN3	58.9 (149.6)	15.0 (38.1)	9.4 (23.8)	37.5 (95.2)	12.0 (30.4)	28 (71.1)	1.1 (4)	190 (86)
AFF3	58.9 (149.6)	16.0 (40.6)	9.4 (23.8)	37.5 (95.2)	12.0 (30.4)	28 (71.1)	1.2 (4)	200 (91)
AFF4	63.3 (160.7)	20.0 (50.8)	12.3 (31.2)	35.0 (88.9)	16.0 (40.6)	25 (63.5)	4.2 (16)	370 (168)
AFF6-0136	75.3 (191.2)	20.0 (50.8)	12.3 (31.2)	47.0 (119.3)	16.0 (40.6)	36 (91.4)	3.6 (14)	410 (186)
AFF6-0328	77.3 (196.3)	26.0 (66.0)	20.8 (52.8)	40.5 (102.8)	16.0 (40.6)	28 (71.1)	5.0 (19)	340 (155)
AFF8	87.3 (221.7)	30.0 (76.2)	25.8 (65.5)	42.5 (108.0)	19.0 (48.3)	28 (71.1)	8.7 (33)	550 (250)
AFF10	96.0 (243.8)	34.0 (86.3)	28.5 (72.4)	45.5 (115.5)	22.0 (55.8)	28 (71.1)	14.8 (56)	750 (341)
AFF12	101.0 (256.5)	44.0 (111.7)	27.5 (69.8)	47.5 (120.6)	26.0 (66.0)	28 (71.1)	25.5 (97)	1300 (591)
AFF16	112.0 (284)	52.0 (132.0)	32.0 (81.3)	50.0 (127.0)	30.0 (76.2)	28 (71.1)	56.2 (213)	1700 (773)

Materials of Construction

Body: Carbon Steel
Paint: Epoxy Enamel (Gray)
Internals: Epoxy powder painted carbon steel
Seals: Inorganic flange gasket (single element vessels)
 Fluorocarbon o-ring (multi element vessels)
Internal Coating: Epoxy enamel

Specifications

Max Pressure: Up to 220-250 PSIG (15-17 barg)
 (Consult Flow Chart)
Max Temperature: 225°F (107°C)
Meets A.S.M.E. Code, Section VIII, Division 1 code stamped for rated pressure.
 Note: Consult factory for special requirements

Natural Gas
Filters

Application Notes