

- Original Commercial pump design
- Three-piece cast iron construction for assembly flexibility
- Durable high-strength cast iron body for excellent power to weight ratio
- Balanced thrust plates optimize pump efficiency
- Roller bearings for durability and resistance to fluid contamination
- Multiple sections available



Product Features	Description
Pump Type	Cast iron, Fixed
Mounting	SAE, DIN
Ports	SAE, NPT, Split Flange, NPT
Shaft Style	SAE, DIN
Pump Speed	900 to 2400 RPM
Motor Speed	800 to 2000 RPM
Maximum Displ.	6.4 in ³ /rev
Maximum Operating Pressure	3000 PSI

Product Features	Description
Fluids	Standard Hydraulic Fluid, Phosphate Ester
Fluid Temperature	Range of Operating Temperature -20 to 80°C (0 to 180°F)
Fluid Viscosity	50-7500 SUS
Direction of Rotation (looking at the driveshaft)	Clockwise, Counter Clockwise, Bi-Rotational

NOTE: Different types of pump options are available in terms of shaft, mounting and port type. Please contact Parker.

⚠ WARNING: This product can expose you to chemicals including lead or DEHP which are known to the state of California to cause cancer, birth defects, and other reproductive harm. www.p65warnings.ca.gov

PGP/PGM051 Specifications

PGP051 Frame Size	05	07	10	12	15	17	20	22	25
Displacement – cm ³ /rev (in ³ /rev)	20.9 (1.28)	31.3 (1.91)	41.8 (2.55)	52.2 (3.19)	62.7 (3.83)	73.1 (4.46)	83.6 (5.10)	94.0 (5.74)	104.5 (6.38)
Max continuous pressure – bar (PSI)	207 (3,000)	207 (3,000)	207 (3,000)	207 (3,000)	207 (3,000)	207 (3,000)	172 (2,500)	172 (2,500)	172 (2,500)
Max Speed – RPM	2,400	2,400	2,400	2,400	2,400	2,400	2,400	2,400	2,400
Approximate Weight – Lbs. [kg]	34 [15.5]	35.5 [16]	37 [17]	38.5 [17.5]	40 [18]	41.5 [19]	43 [19.5]	48.5 [22]	50 [22.5]

PGM051 Frame Size	05	07	10	12	15	17	20	22	25
Displacement – cm ³ /rev (in ³ /rev)	20.90 (1.28)	31.30 (1.91)	41.80 (2.55)	52.20 (3.19)	62.70 (3.83)	73.10 (4.46)	83.60 (5.10)	94.00 (5.74)	104.50 (6.38)
Max continuous pressure – bar (PSI)	207 (3,000)	207 (3,000)	207 (3,000)	207 (3,000)	207 (3,000)	207 (3,000)	172 (2,500)	172 (2,500)	172 (2,500)
Max Speed – RPM	2,000	2,000	2,000	2,000	2,000	2,000	2,000	2,000	2,000
Approximate Weight – Lbs. [kg]	34 [15.5]	35.5 [16.0]	37 [17.0]	38.5 [17.5]	40 [18]	41.5 [19]	43 [19.5]	48.5 [22]	50 [22.5]

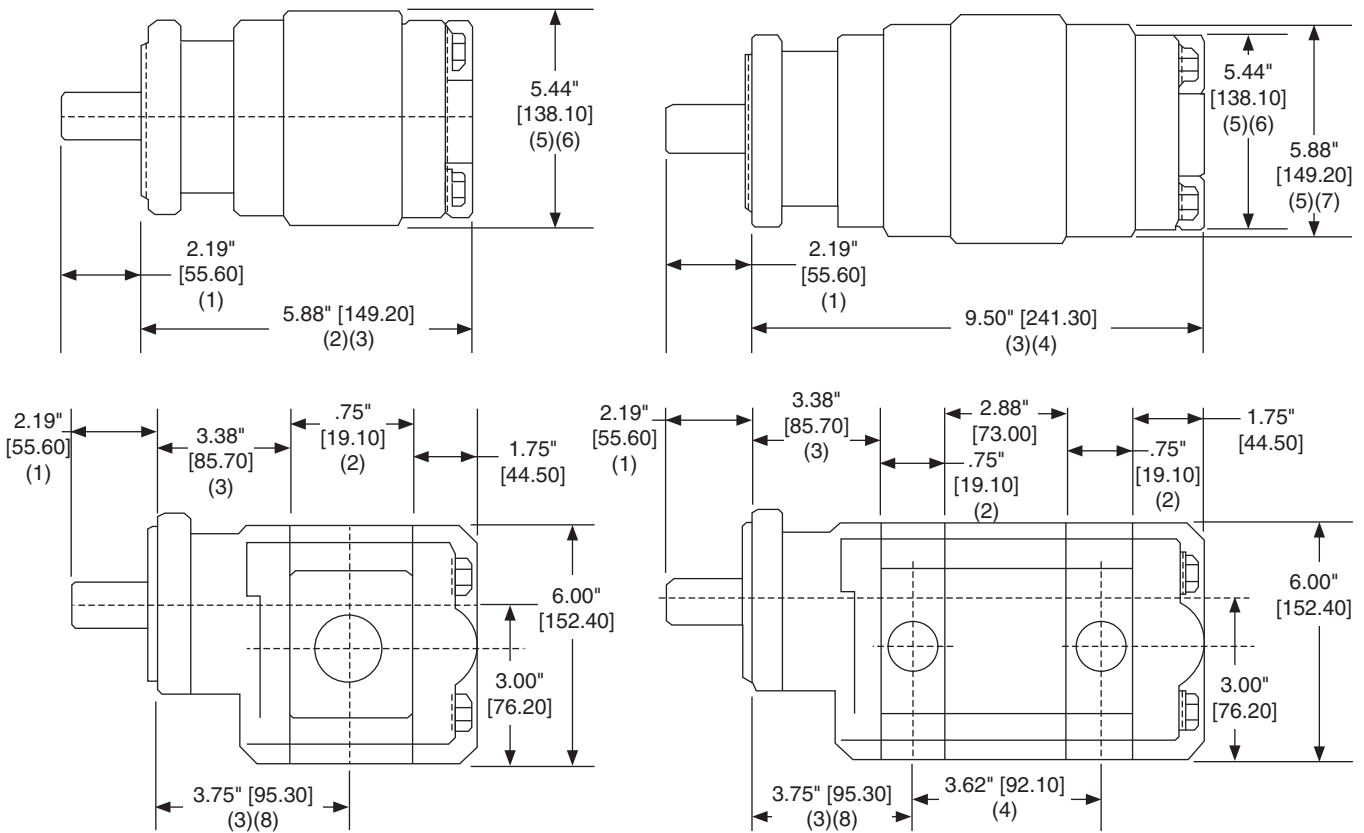
PGP/PGM051 Dimensions

NOTES

1. Dimension will vary with shaft type
2. Dimension + gear width
3. Dimension is for Type 1 SEC.
Type 2: subtract 1.00" (25.4 mm)
4. Dimension + total gear width
5. Dimension will vary with port type. Subtract 0.25" (6.4 mm) for S.F. ports.
6. For 2.25" and 2.50" gear width, dimension is 6.75" (171.5 mm).
7. Dimension is for wide B-C. Narrow B-C dimensions: 5.00" (127 mm)
8. Dimension + ½ front section gear width

Single Units

Multiple Units



WARNING: This product can expose you to chemicals including lead or DEHP which are known to the state of California to cause cancer, birth defects, and other reproductive harm. www.p65warnings.ca.gov

PGP051

Flow data at 2500 PSI (172 bar) unless noted

Speed RPM	Gear Width Output (gpm/lpm)						
	1"	1 ¼"	1 ½"	1 ¾"	2"	2 ¼"	2 ½"
900	8.5	10.5	13	15	17.5	20	22
	32	39.5	49	57	66	75.5	83.5
1200	12	15	18	21	24	27	30
	45.5	57	68	79.5	91	102	114
1500	15	19	23	27	31	35	39
	57	72	87	102	117	132	148
1800	18	23	27.5	32.5	37.5	42	47
	68	87	104	123	142	159	178
2100	21.5	27	32.5	38.5	44	49.5	55
	81.5	102	123	146	167	187	208
2400	25	31	37	44	51	57	63.5
	94.5	117	140	167	193	216	240

*Flow data at 2000 PSI (138 bar) rated pressure.

PGP051

Input power at 2500 PSI (172 bar) unless noted

Speed RPM	Gear Width Inches (HP/Kw)						
	1"	1 ¼"	1 ½"	1 ¾"	2"	2 ¼"	2 ½"
900	19	22	26	30	34	38	42
	14	17	20	23	26	29	32
1200	25	30	34	40	45	51	56
	18	22	26	30	34	38	42
1500	31	37	43	50	56	63	69
	23	27	32	37	42	47	51
1800	36	44	51	59	67	75	82
	27	33	38	44	50	56	61
2100	42	51	60	69	78	87	96
	31	38	44	51	58	65	72
2400	47	57	68	79	89	99	110
	35	43	51	59	66	74	82

*Input power at 2000 PSI (138 bar)

PGM051

Motor performance data at 2500 PSI (172 bar) unless noted.

Speed RPM	1" Gear			1 ½" Gear			2" Gear			2½" Gear		
	Output		Input	Output		Input	Output		Input	Output		Input
	Torque	Power	Flow	Torque	Power	Flow	Torque	Power	Flow	Torque	Power	Flow
800	825	10.5	10.5	1310	16.5	15.5	1810	23	21	2330	29.5	26
	93	8	39.5	148	12.5	58.5	204.5	17	79.5	263.5	22	98.5
1200	850	16	15.5	1340	25.5	22.5	1830	35	30.5	2340	44.5	37.5
	96	12	58.5	151.5	19	85	207	26	115	264.5	33	142
1600	830	21	20	1330	34	30	1805	46	40	2300	58.5	49.5
	94	15.5	75.5	150.5	25.5	114	204	34.5	151	260	43.5	187
2000	800	25.5	25	1290	41	37	1770	56	49	2250	71.5	61.5
	90.5	19	94.5	146	30.5	140	200	42	185	254	53.5	233

U.S./Metric Torque: In.-lbs. / Nm Flow: GPM / LPM Power: HP / kW

*Motor performance data at 2000 PSI (138 bar).

⚠ WARNING: This product can expose you to chemicals including lead or DEHP which are known to the state of California to cause cancer, birth defects, and other reproductive harm. www.p65warnings.ca.gov

No Porting ≤ 3000 PSI


Order Code		Port Size		Gear Width Availability			
CW	CCW	In	Out	10	12	15	17
AB	AB	None	None	X	X	X	X

CW = Clockwise CCW = Counter Clockwise

No Porting ≤ 2500 PSI

Order Code		Port Size		Gear Width Availability		
CW	CCW	In	Out	20	22	25
AB	AB	None	None	X	X	X

CW = Clockwise CCW = Counter Clockwise

 **WARNING:** This product can expose you to chemicals including lead or DEHP which are known to the state of California to cause cancer, birth defects, and other reproductive harm. www.p65warnings.ca.gov

ODT Tube Porting ≤ 3000 PSI

Order Code		ODT Tube Porting Port Size		Gear Width Availability			
CW	CCW	In	Out	10	12	15	17
EC	ED	3/4"	-	X*	X*		X
ED	EC	-	3/4"				X
EF	EF	3/4"	3/4"			2500	X
EJ	EG	1"	3/4"				X*
EK	EH	1-1/4"	3/4"			2500*	X
AC	AD	1"	-	X*	X*	X*	X*
AA	AO	1-1/4"	-			X*	X*

* Ports designated by an asterisk * are for use as the low-pressure inlet port only.

ODT Tube Porting ≤ 2500 PSI

Order Code		ODT Tube Porting Port Size		Gear Width Availability		
CW	CCW	In	Out	20	22	25
AC	AD	1"	-	X		
AD	AC	-	1"	X		
AF	AF	1"	1"	X	X	X
AJ	AG	1-1/4"	1"	X*		
AK	AH	1-1/2"	1"	X*		X
AA	AO	1-1/4"	-		X	X
AO	AA	-	1-1/4"		X	X
AL	AL	1-1/4"	1-1/4"		X	X
AP	AM	1-1/2"	1-1/4"		X	X
AE	AU	1-1/2"	-	X*	X	X
AU	AE	-	1-1/2"			X
AR	AR	1-1/2"	1-1/2"			X

* Ports designated by an asterisk * are for use as the low-pressure inlet port only.

NOTES

1. Shaded cells are acceptable for motor codes.
2. X means both codes are available.
3. 2500 indicates maximum pressure rating on port.
4. CW = Clockwise; CWW = Counter Clockwise.

WARNING: This product can expose you to chemicals including lead or DEHP which are known to the state of California to cause cancer, birth defects, and other reproductive harm. www.p65warnings.ca.gov

Split Flange Porting ≤ 3000 PSI

Order Code		Split Flange Porting Port Size		Gear Width Availability			
CW	CCW	In	Out	10	12	15	17
UC	UD	3/4"	-	2500	X		
UD	UC	-	3/4"	2500	X		
UF	UF	3/4"	3/4"	2500	X	X	
UJ	UG	1"	3/4"	2500*	X*	X*	
UK	UH	1-1/4"	3/4"		X*	X*	X*
OC	OD	1"	-		X*	2500	X
OD	OC	-	1"			2500	X
OF	OF	1"	1"			2500	X
OJ	OG	1-1/4"	1"			2500*	X*
OK	OH	1-1/2"	1"			2500*	X*
OA	OB	1-1/4"	-		X*	X*	
OE	OU	1-1/2"	-			X*	X*

* Ports designated by an asterisk * are for use as the low-pressure inlet port only.


Split Flange Porting ≤ 2500 PSI

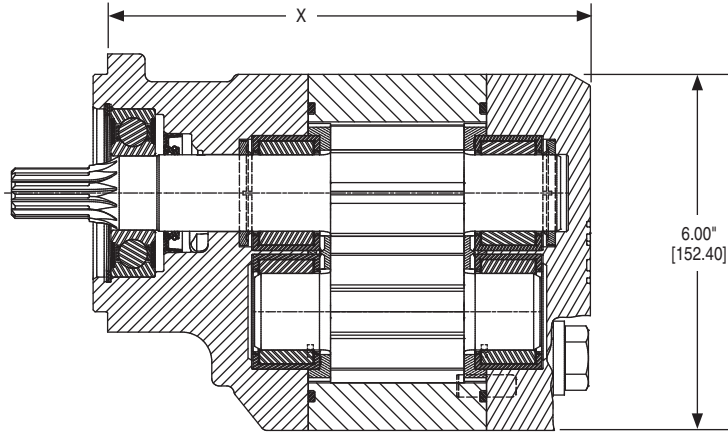
Order Code		Split Flange Porting Port Size		Gear Width Availability		
CW	CCW	In	Out	20	22	25
OC	OD	1"	-	X		
OD	OC	-	1"	X		
OF	OF	1"	1"	X	X	X
OJ	OG	1-1/4"	1"	X*		
OK	OH	1-1/2"	1"	X*	X	X
OL	OL	1-1/4"	1-1/4"	X	X	X
OP	OM	1-1/2"	1-1/4"	X*	X	X
OE	OU	1-1/2"	-	X*		
OR	OR	1-1/2"	1-1/2"		X	X
XB	ZB	2"	-	X*		
OQ	ON	2"	1-1/4"	X*	X*	X*
OV	OS	2"	1-1/2"		X*	X*

* Ports designated by an asterisk * are for use as the low-pressure inlet port only.

NOTES

1. Shaded cells are acceptable for motor codes.
2. X means both codes are available.
3. 2500 indicates maximum pressure rating on port.
4. CW = Clockwise; CWW = Counter Clockwise.

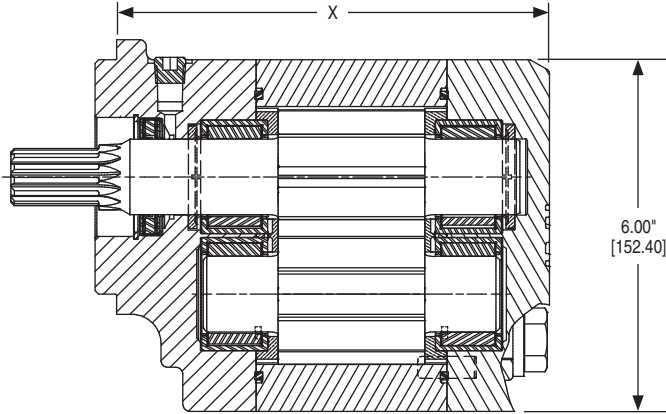
 **WARNING:** This product can expose you to chemicals including lead or DEHP which are known to the state of California to cause cancer, birth defects, and other reproductive harm. www.p65warnings.ca.gov



X DIMENSION – Type 1

SEC CODE	05	07	10	12	15	17	20	22	25
00	6.62" [168.15]	6.87" [174.50]	7.12" [180.85]	7.37" [187.20]	7.62" [193.55]	7.87" [199.90]	8.12" [206.25]	8.37" [212.60]	8.62" [218.95]
42	6.38" [162.05]	6.63" [168.40]	6.88" [174.75]	7.13" [181.10]	7.38" [187.45]	7.63" [193.80]	7.88" [200.15]	8.13" [206.50]	8.38" [212.85]
78	6.38" [162.05]	6.63" [168.40]	6.88" [174.75]	7.13" [181.10]	7.38" [187.45]	7.63" [193.80]	7.88" [200.15]	8.13" [206.50]	8.38" [212.85]
97	6.38" [162.05]	6.63" [168.40]	6.88" [174.75]	7.13" [181.10]	7.38" [187.45]	7.63" [193.80]	7.88" [200.15]	8.13" [206.50]	8.38" [212.85]
98	6.38" [162.05]	6.63" [168.40]	6.88" [174.75]	7.13" [181.10]	7.38" [187.45]	7.63" [193.80]	7.88" [200.15]	8.13" [206.50]	8.38" [212.85]

WARNING: This product can expose you to chemicals including lead or DEHP which are known to the state of California to cause cancer, birth defects, and other reproductive harm. www.p65warnings.ca.gov



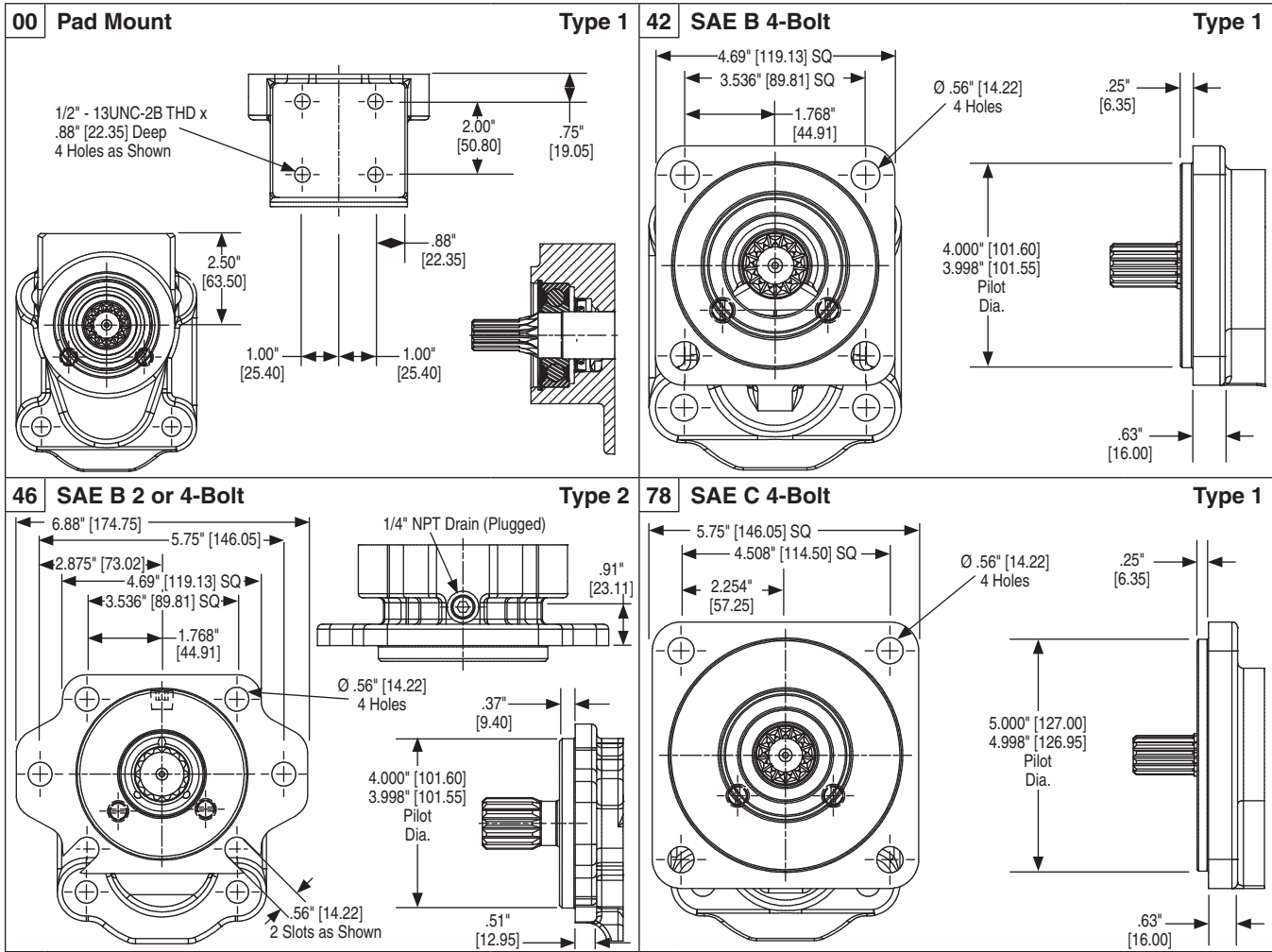
X DIMENSION – Type 2 (Standard PEC)

SEC CODE	05	07	10	12	15	17	20	22	25
46	5.38" [136.65]	5.63" [143.00]	5.88" [149.35]	6.13" [155.70]	6.38" [162.05]	6.63" [168.40]	6.88" [174.75]	7.13" [181.10]	7.38" [187.45]
96	5.38" [136.65]	5.63" [143.00]	5.88" [149.35]	6.13" [155.70]	6.38" [162.05]	6.63" [168.40]	6.88" [174.75]	7.13" [181.10]	7.38" [187.45]
99	5.38" [136.65]	5.63" [143.00]	5.88" [149.35]	6.13" [155.70]	6.38" [162.05]	6.63" [168.40]	6.88" [174.75]	7.13" [181.10]	7.38" [187.45]

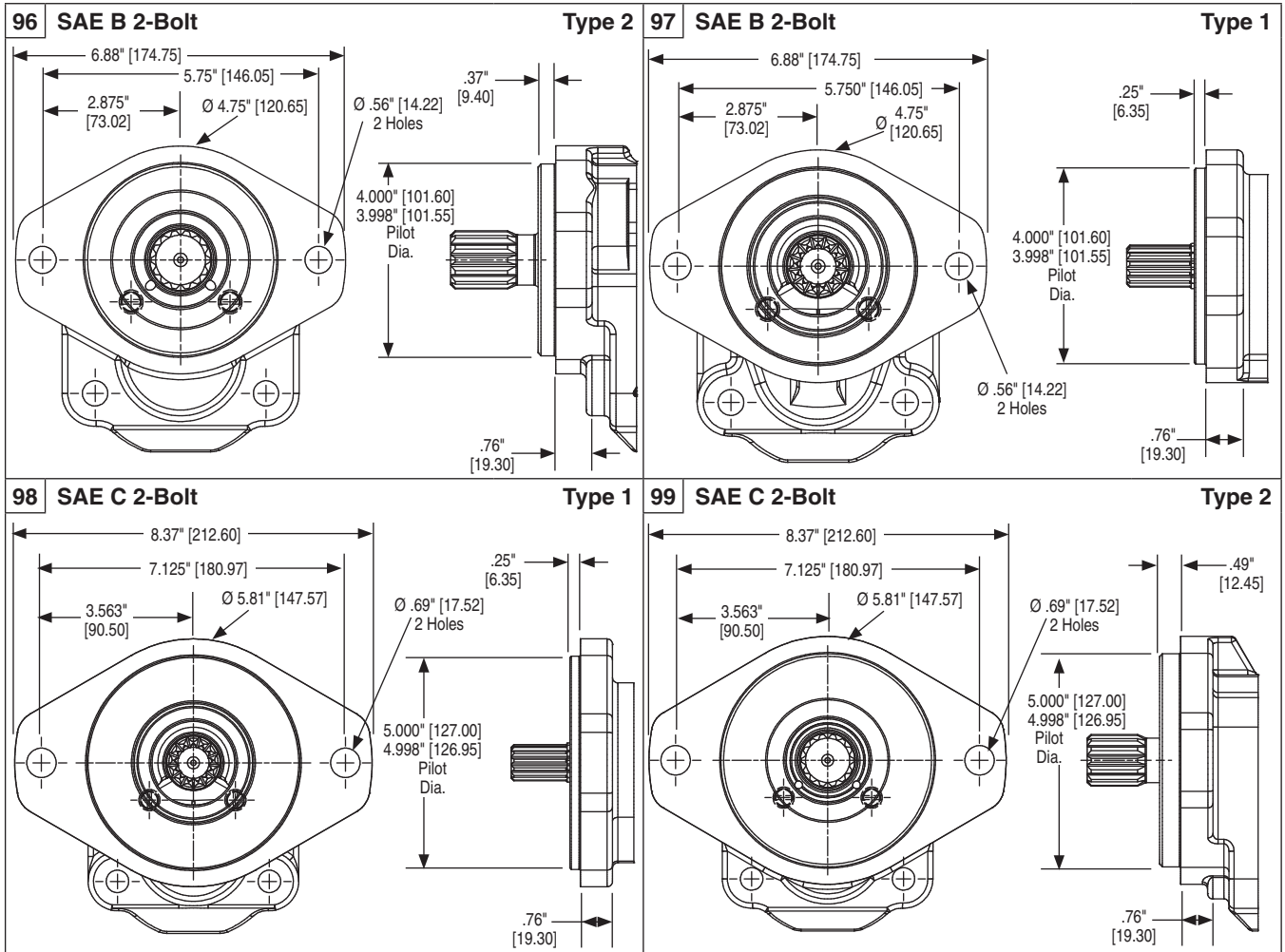
X DIMENSION – Type 2 (Large PEC)

SEC CODE	12	15	17	20	22	25
46	6.76" [171.70]	7.01" [178.05]	7.26" [184.40]	7.51" [190.75]	7.76" [197.10]	8.01" [203.45]
96	6.76" [171.70]	7.01" [178.05]	7.26" [184.40]	7.51" [190.75]	7.76" [197.10]	8.01" [203.45]
99	6.76" [171.70]	7.01" [178.05]	7.26" [184.40]	7.51" [190.75]	7.76" [197.10]	8.01" [203.45]

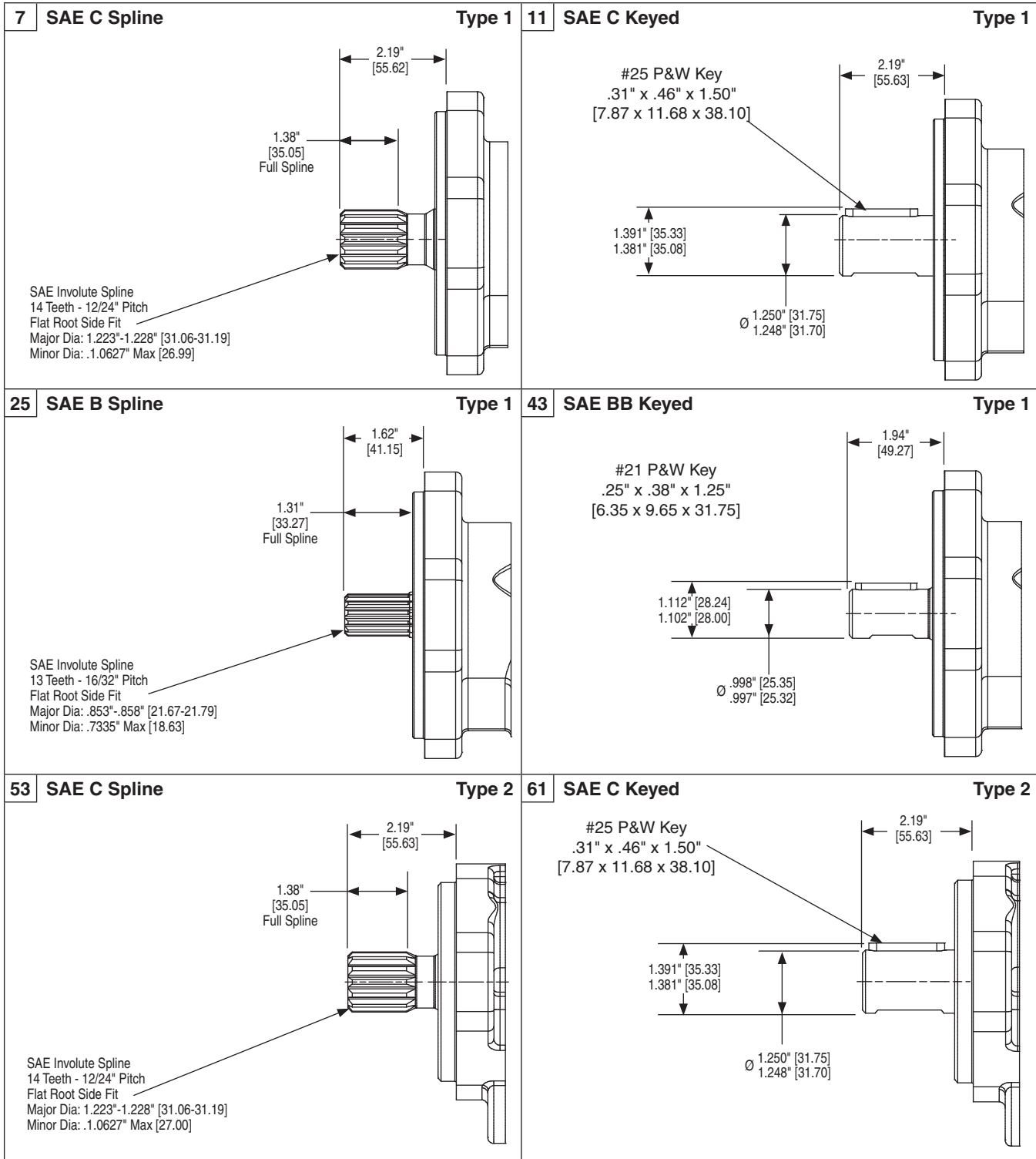
WARNING: This product can expose you to chemicals including lead or DEHP which are known to the state of California to cause cancer, birth defects, and other reproductive harm. www.p65warnings.ca.gov



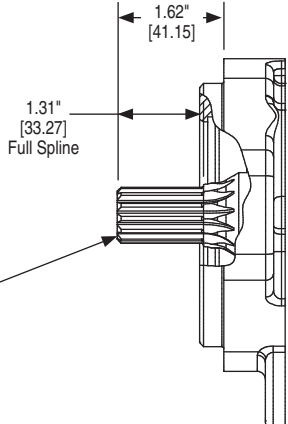
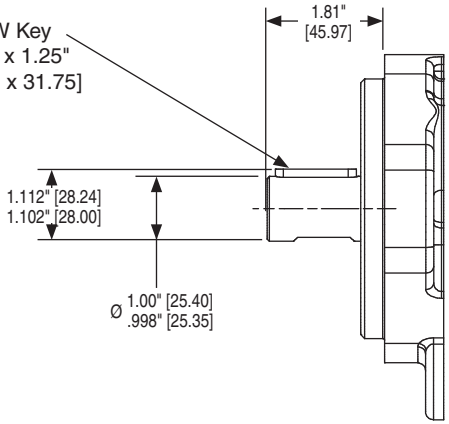
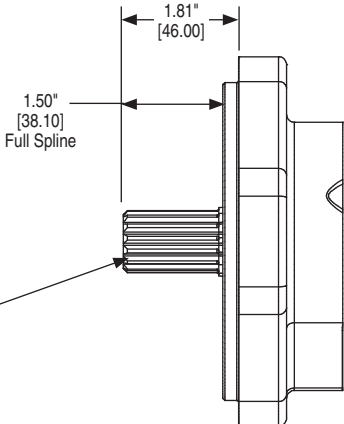
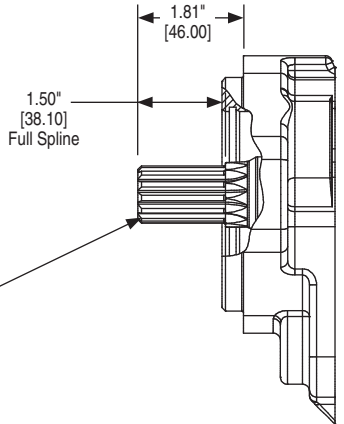
WARNING: This product can expose you to chemicals including lead or DEHP which are known to the state of California to cause cancer, birth defects, and other reproductive harm. www.p65warnings.ca.gov



WARNING: This product can expose you to chemicals including lead or DEHP which are known to the state of California to cause cancer, birth defects, and other reproductive harm. www.p65warnings.ca.gov



⚠ WARNING: This product can expose you to chemicals including lead or DEHP which are known to the state of California to cause cancer, birth defects, and other reproductive harm. www.p65warnings.ca.gov

<p>65 SAE B Spline Type 2</p>  <p>1.62" [41.15] 1.31" [33.27] Full Spline</p> <p>SAE Involute Spline 13 Teeth - 16/32" Pitch Flat Root Side Fit Major Dia: .853"-.858" [21.67-21.79] Minor Dia: .7335" Max [18.63]</p>	<p>67 SAE BB Keyed Type 2</p>  <p>#21 P&W Key .25" x .38" x 1.25" [6.35 x 9.65 x 31.75]</p> <p>1.81" [45.97] 1.112" [28.24] 1.102" [28.00] 1.00" [25.40] Ø .998" [25.35]</p>
<p>98 SAE BB Spline Type 1</p>  <p>1.81" [46.00] 1.50" [38.10] Full Spline</p> <p>SAE Involute Spline 15 Teeth - 16/32" Pitch Flat Root Side Fit Major Dia: .978"-.983" [24.84-21.79] Minor Dia: .8585" Max [21.80]</p>	<p>** SAE BB Spline Type 2</p>  <p>1.81" [46.00] 1.50" [38.10] Full Spline</p> <p>SAE Involute Spline 15 Teeth - 16/32" Pitch Flat Root Side Fit Major Dia: .978"-.983" [24.84-21.79] Minor Dia: .8585" Max [21.80]</p>

WARNING: This product can expose you to chemicals including lead or DEHP which are known to the state of California to cause cancer, birth defects, and other reproductive harm. www.p65warnings.ca.gov