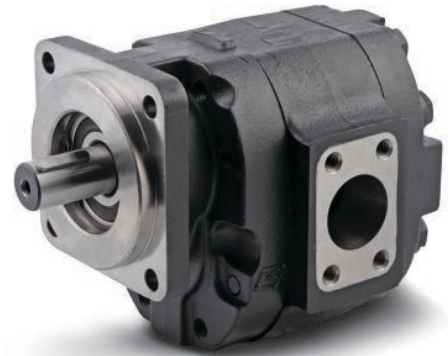


- Original Commercial pump design
- Three-piece cast iron construction for assembly flexibility
- Durable high-strength cast iron body for excellent power to weight ratio
- Balanced thrust plates optimize pump efficiency
- Roller bearings for durability and resistance to fluid contamination
- Multiple sections available



Product Features	Description
Pump Type	Pump, cast iron roller bearing, external gear
Mounting	SAE 2-Bolt or 4-Bolt
Ports	SAE Straight Thread or Split Flange
Shaft Style	SAE C splined or keyed
Pump Speed	900 to 2400 RPM
Motor Speed	800 to 2000 RPM
Maximum Displ.	12.3 in ³ /rev
Maximum Operating Pressure	3000 PSI

Product Features	Description
Fluids	Mineral oil
Fluid Temperature	Range of Operating Temperature -20 to 80°C (0 to 180°F).
Fluid Viscosity	50-7500 SUS
Direction of Rotation (looking at the driveshaft)	Clockwise, Counter Clockwise, Bi-Rotational

NOTE: Different types of pump options are available in terms of shaft, mounting and port type. Please contact Parker.

⚠ WARNING: This product can expose you to chemicals including lead or DEHP which are known to the state of California to cause cancer, birth defects, and other reproductive harm. www.p65warnings.ca.gov

PGP/PGM076 Specifications

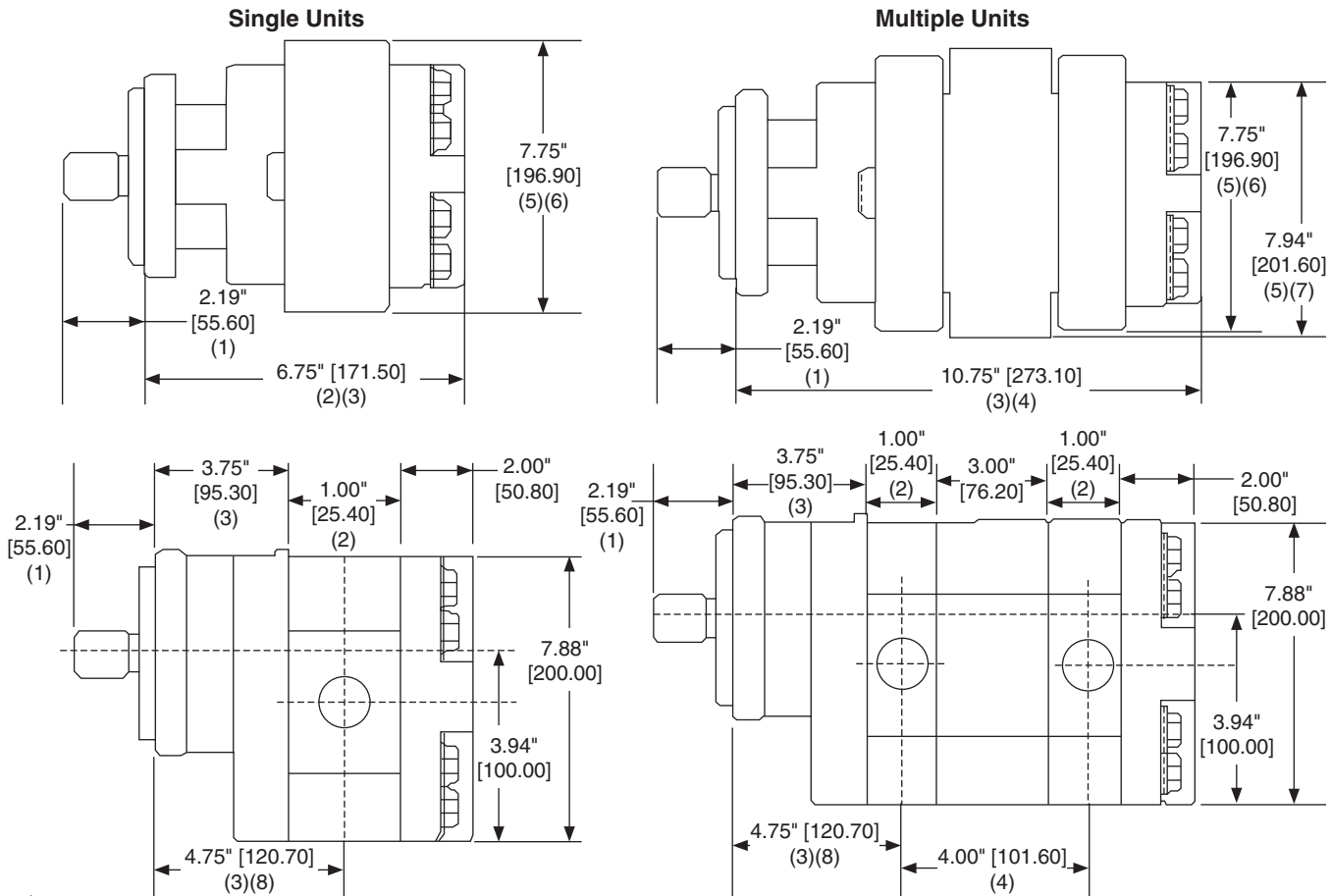
PGP076 Frame Size	7	10	12	15	17	20	22	25	27	30
Displacement – cm ³ /rev (in ³ /rev)	50.4 (3.08)	67.2 (4.10)	84.0 (5.13)	100.8 (6.15)	117.6 (7.18)	134.4 (8.20)	151.2 (9.23)	168.0 (10.25)	184.8 (11.28)	201.6 (12.30)
Max continuous pressure – bar (PSI)	207 (3,000)	207 (3,000)	207 (3,000)	207 (3,000)	207 (3,000)	172 (2,500)	172 (2,500)	172 (2,500)	138 (2,000)	138 (2,000)
Max Speed – RPM	2,400	2,400	2,400	2,400	2,400	2,400	2,400	2,400	2,400	2,400
Approximate Weight – Lbs. [kg]	70 [32]	72 [33]	75 [34]	77 [35]	80 [36]	82 [37]	85 [39]	87 [40]	90 [41]	92 [42]

PGM076 Frame Size	7	10	12	15	17	20	22	25	27	30
Displacement – cm ³ /rev (in ³ /rev)	50.4 (3.08)	67.2 (4.10)	84.0 (5.13)	100.8 (6.15)	117.6 (7.18)	134.4 (8.20)	151.2 (9.23)	168.0 (10.25)	184.8 (11.28)	201.6 (12.30)
Max continuous pressure – bar (PSI)	207 (3,000)	207 (3,000)	207 (3,000)	207 (3,000)	207 (3,000)	172 (2,500)	172 (2,500)	172 (2,500)	138 (2,000)	138 (2,000)
Max Speed – RPM	2,000	2,000	2,000	2,000	2,000	2,000	2,000	2,000	2,000	2,000
Approximate Weight – Lbs. [kg]	70 [32]	72 [33]	75 [34]	77 [35]	80 [36]	82 [37]	85 [39]	87 [40]	90 [41]	92 [42]

PGP/PGM076 Dimensions

NOTES

1. Dimension will vary with shaft type
2. Dimension + gear width
3. Dimension is for Type 1 SEC.
4. Dimension + total gear width
5. Dimension will vary with port type. Subtract 0.25" (6.4 mm) for S.F. ports.
6. For 2.25" and 2.50" gear width, dimension is 6.75" (171.5 mm).
7. Dimension is for wide B-C. Narrow B-C dimensions: 7.19" (182.6 mm)
8. Dimension + ½ front section gear width



WARNING: This product can expose you to chemicals including lead or DEHP which are known to the state of California to cause cancer, birth defects, and other reproductive harm. www.p65warnings.ca.gov

PGP076

Flow data at 2500 PSI (172 bar) unless noted

Speed RPM	Gear Width Output (gpm/lpm)								
	1"	1 ¼"	1 ½"	1 ¾"	2"	2 ¼"	2 ½"	2 ¾"	3"
900	11.5	15.5	19.5	23	27	30.5	34.5	38	42
	43.5	58.5	74	87	102	115.5	130.5	144	159
1200	17	22	27	32	37.5	42	48	52.5	58
	64.5	83.5	102	121	142	159	182	199	220
1500	22	29	35.5	41.5	48	54.5	61	67	74
	83.5	110	134	157	182	206	231	254	280
1800	27.5	35.5	43.5	51	59	66	74	81.5	90
	104	134	165	193	223	250	280	308	341
2100	33	42	51.5	60	69.5	78	87	96.5	106
	125	159	195	227	263	295	329	365	401
2400	38	49	59.5	70	80	90	101	111	122
	144	185	225	265	303	341	382	420	462

*Flow data at 2000 PSI (138 bar) rated pressure.

PGP076

Input power at 2500 PSI (172 bar) unless noted

Speed RPM	Gear Width Inches (HP/Kw)								
	1"	1 ¼"	1 ½"	1 ¾"	2"	2 ¼"	2 ½"	2 ¾"	3"
900	26	32	39	45	51	58	64	57	62
	19	24	29	34	38	43	48	42	46
1200	35	43	52	60	69	78	86	76	83
	26	32	39	45	51	58	64	57	62
1500	44	55	65	76	87	98	109	96	105
	33	41	49	57	65	73	81	72	78
1800	53	66	79	93	106	119	132	116	127
	39	49	59	69	79	89	99	87	95
2100	62	77	93	108	124	139	154	136	148
	46	58	69	81	92	104	115	101	111
2400	71	88	106	124	141	159	176	155	169
	53	66	79	92	105	118	132	116	126

*Input power at 2000 PSI (138 bar)

PGM076

Motor performance data at 2500 PSI (172 bar) unless noted.

Speed RPM	1" Gear			1 ½" Gear			2" Gear			2 ½" Gear			3" Gear*		
	Output		Input	Output		Input	Output		Input	Output		Input	Output		Input
	Torque	Power	Flow	Torque	Power	Flow	Torque	Power	Flow	Torque	Power	Flow	Torque	Power	Flow
800	1410	18	20.5	2140	27	28	2875	36.5	35.5	3650	46.5	43	3625	46	50.5
	159.5	13.5	77.5	242	20	106	325	27	134	412.5	34.6	163	409.5	34.5	191
1200	1400	26.5	27.5	2140	41	38	2870	54.5	49.5	3650	69.5	60.5	3575	68	72
	158	20	104	242	30.5	144	324.5	40.5	187	412.5	52	229	404	50.5	273
1600	1375	35	34	2110	53.5	49	2830	72	64	3600	91.5	78.5	3500	89	93
	155.5	26	129	238.5	40	185	319.5	53.5	242	406.5	68	297	395.5	66.5	352
2000	1350	43	41.5	2090	66.5	59	2800	89	78	3500	111	96.5	3425	109	114
	152.5	32	157	236	49.5	223	316.5	66.5	295	395.5	83	365	387	81.5	431

U.S./Metric Torque: In.-lbs. / Nm Flow: GPM / LPM Power: HP / kW *Motor performance data at 2000 PSI (138 bar).

WARNING: This product can expose you to chemicals including lead or DEHP which are known to the state of California to cause cancer, birth defects, and other reproductive harm. www.p65warnings.ca.gov

No Porting ≤ 3000 PSI

Order Code		Port Size		Gear Width Availability			
CW	CCW	In	Out	10	12	15	17
AB	AB	None	None	X	X	X	X

CW = Clockwise CCW = Counter Clockwise

No Porting ≤ 2500 PSI


Order Code		Port Size		Gear Width Availability	
CW	CCW	In	Out	20	22
AB	AB	None	None	X	X

CW = Clockwise CCW = Counter Clockwise

No Porting ≤ 2000 PSI

Order Code		Port Size		Gear Width Availability	
CW	CCW	In	Out	27	30
AB	AB	None	None	X	X

CW = Clockwise CCW = Counter Clockwise

 **WARNING:** This product can expose you to chemicals including lead or DEHP which are known to the state of California to cause cancer, birth defects, and other reproductive harm. www.p65warnings.ca.gov


ODT Tube Porting ≤ 3000 PSI

Order Code		ODT Tube Porting Port Size		Gear Width Availability			
CW	CCW	In	Out	10	12	15	17
EJ	EG	1"*	3/4"	2500*	-	-	-
EK	EH	1-1/4"**	3/4"	-	X*	-	-
AC	AD	1"*	-	-	2500	X	-
AD	AC	-	1"	-	2500	X	-
AF	AF	1"	1"	-	2500	X	-
AJ	AG	1-1/4"**	1"	-	2500*	X*	-
AK	AH	1-1/2"**	1"	-	-	X*	-

* Ports designated by an asterisk * are for use as the low-pressure inlet port only.

NOTES

1. ■ Shaded cells are acceptable for motor codes.
2. X means both codes are available.
3. 2500 indicates maximum pressure rating on port.
4. CW = Clockwise; CWW = Counter Clockwise.

 **WARNING:** This product can expose you to chemicals including lead or DEHP which are known to the state of California to cause cancer, birth defects, and other reproductive harm. www.p65warnings.ca.gov

Split Flange Porting ≤ 3000 PSI

Order Code		Split Flange Porting Port Size		Gear Width Availability			
CW	CCW	In	Out	10	12	15	17
UJ	UG	1"	3/4"	X			
OF	OF	1"	1"	X	X	X	X
OJ	OG	1-1/4"	1"	X*	X*		
OK	OH	1-1/2"	1"		X*	X*	X*
OL	OL	1-1/4"	1-1/4"		2500	X	X
OP	OM	1-1/2"	1-1/4"		2500*	X*	X*
OQ	ON	2"	1-1/4"				X*

* Ports designated by an asterisk * are for use as the low-pressure inlet port only.


Split Flange Porting ≤ 2500 PSI

Order Code		Split Flange Porting Port Size		Gear Width Availability	
CW	CCW	In	Out	20	22
OF	OF	1"	1"	X	
OL	OL	1-1/4"	1-1/4"	X	X
OP	OM	1-1/2"	1-1/4"	X	
OE	OU	1-1/2"	-	X	
OU	OE	-	1-1/2"	X	
OR	OR	1-1/2"	1-1/2"	X	X
OQ	ON	2"	1-1/4"	X*	X*
OV	OS	2"	1-1/2"	X*	X*
OW	OT	2-1/2"	1-1/2"		X*

* Ports designated by an asterisk * are for use as the low-pressure inlet port only.

NOTES

1. Shaded cells are acceptable for motor codes.
2. X means both codes are available.
3. 2500 indicates maximum pressure rating on port.
4. CW = Clockwise; CWW = Counter Clockwise.

 **WARNING:** This product can expose you to chemicals including lead or DEHP which are known to the state of California to cause cancer, birth defects, and other reproductive harm. www.p65warnings.ca.gov

Split Flange Porting ≤ 2000 PSI

Order Code		Split Flange Porting Port Size		Gear Width Availability	
CW	CCW	In	Out	27	30
OJ	OG	1-1/4"*	1"		X
OL	OL	1-1/4"	1-1/4"	X	X
OP	OM	1-1/2"*	1-1/4"	X	X
OE	OU	1-1/2"	-	X	X
OU	OE	-	1-1/2"	X	X
OR	OR	1-1/2"	1-1/2"	X	X
OQ	ON	2"*	1-1/4"	X	X
OV	OS	2"*	1-1/2"	X	X
OX	OX	2"	2"	X	X
OW	OT	2-1/2"*	1-1/2"	X*	X*

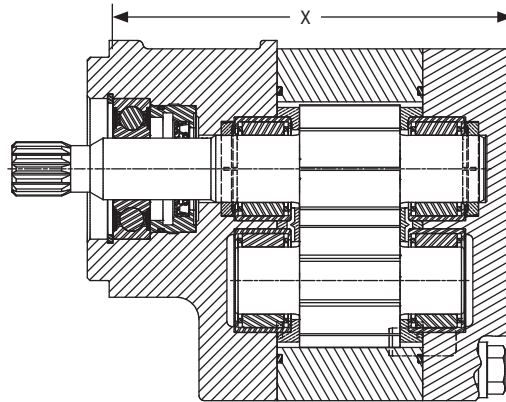
* Ports designated by an asterisk * are for use as the low-pressure inlet port only.

NOTES

1. ■ Shaded cells are acceptable for motor codes.
2. X means both codes are available.
3. 2500 indicates maximum pressure rating on port.
4. CW = Clockwise; CWW = Counter Clockwise.

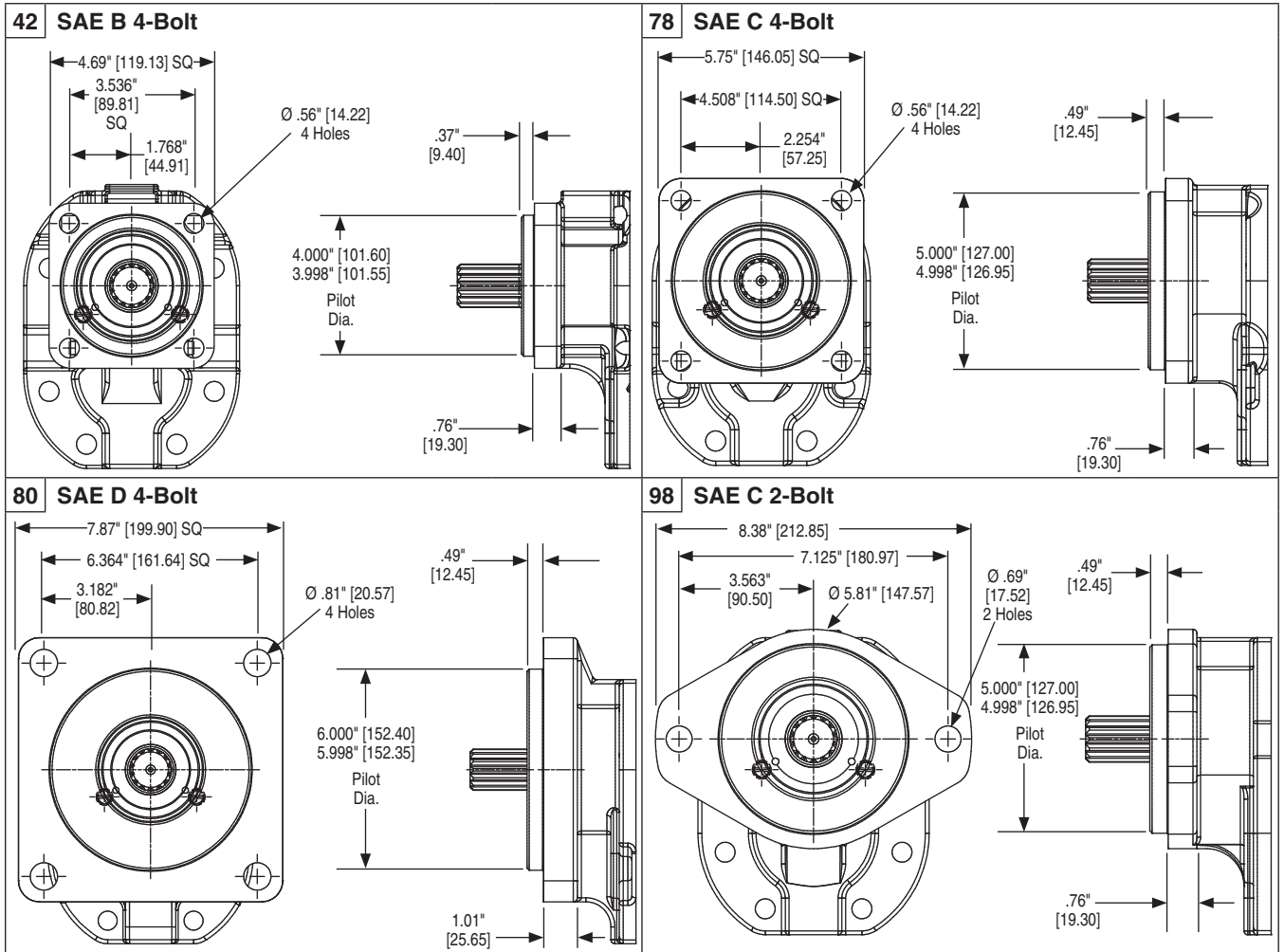


WARNING: This product can expose you to chemicals including lead or DEHP which are known to the state of California to cause cancer, birth defects, and other reproductive harm. www.p65warnings.ca.gov

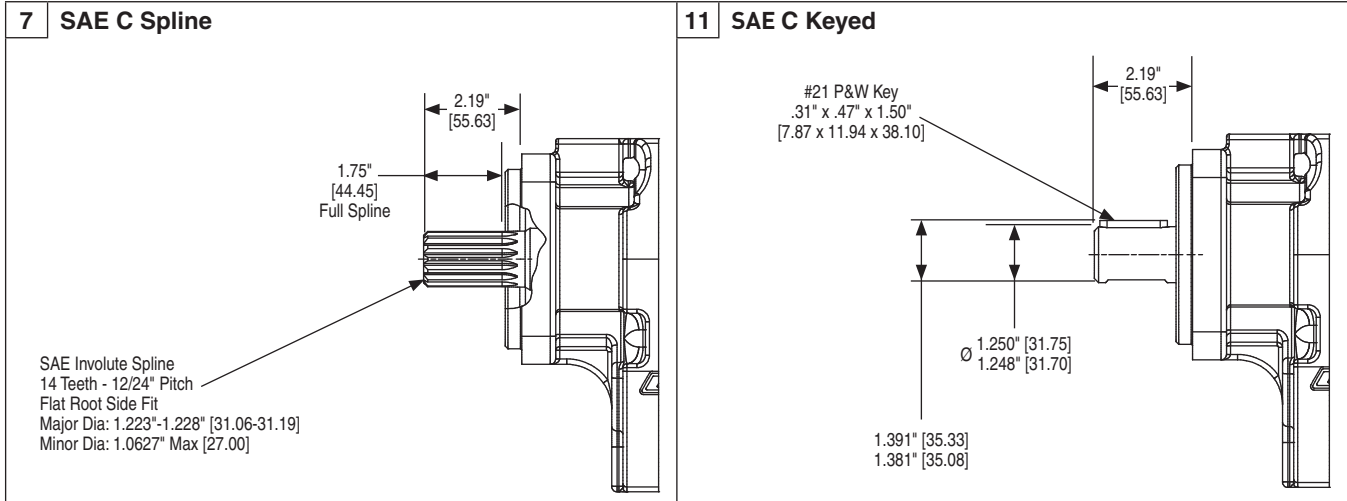


X DIMENSION										
SEC CODE	07	10	12	15	17	20	22	25	27	30
42	7.50" [190.50]	7.75" [196.85]	8.00" [203.20]	8.25" [209.55]	8.50" [215.90]	8.75" [222.25]	9.00" [228.60]	9.25" 234.95]	9.50" [241.30]	9.75" [247.65]
78	7.50" [190.50]	7.75" [196.85]	8.00" [203.20]	8.25" [209.55]	8.50" [215.90]	8.75" [222.25]	9.00" [228.60]	9.25" 234.95]	9.50" [241.30]	9.75" [247.65]
80	7.50" [190.50]	7.75" [196.85]	8.00" [203.20]	8.25" [209.55]	8.50" [215.90]	8.75" [222.25]	9.00" [228.60]	9.25" 234.95]	9.50" [241.30]	9.75" [247.65]
98	7.50" [190.50]	7.75" [196.85]	8.00" [203.20]	8.25" [209.55]	8.50" [215.90]	8.75" [222.25]	9.00" [228.60]	9.25" 234.95]	9.50" [241.30]	9.75" [247.65]

WARNING: This product can expose you to chemicals including lead or DEHP which are known to the state of California to cause cancer, birth defects, and other reproductive harm. www.p65warnings.ca.gov



WARNING: This product can expose you to chemicals including lead or DEHP which are known to the state of California to cause cancer, birth defects, and other reproductive harm. www.p65warnings.ca.gov



⚠ WARNING: This product can expose you to chemicals including lead or DEHP which are known to the state of California to cause cancer, birth defects, and other reproductive harm. www.p65warnings.ca.gov