



PT Series

Tank Top Filters



ENGINEERING YOUR SUCCESS.

PT Series

Applications

The PT series filter is available in two diameters and three lengths for flow ranges from 5-50 gpm. The PT2 and PT4 filter cartridges utilize Microglass media in 2, 5, 10 and 20 microns for the industry's best particle removal efficiency and retention.

This unique design simply threads into a ported weld ring or flange, which can be bolted to a metal reservoir.

The disposable filter cartridge is a single-piece construction, which incorporates the nylon cover and integral 25 psi bypass valve. The flow path is inside-out and requires no special tools for service.

This concept assures minimal installation costs with the least space requirements for return line applications.



Typical Applications

- Turf Maintenance
- Material Handling
- Aerial Lifts
- Fan Drive

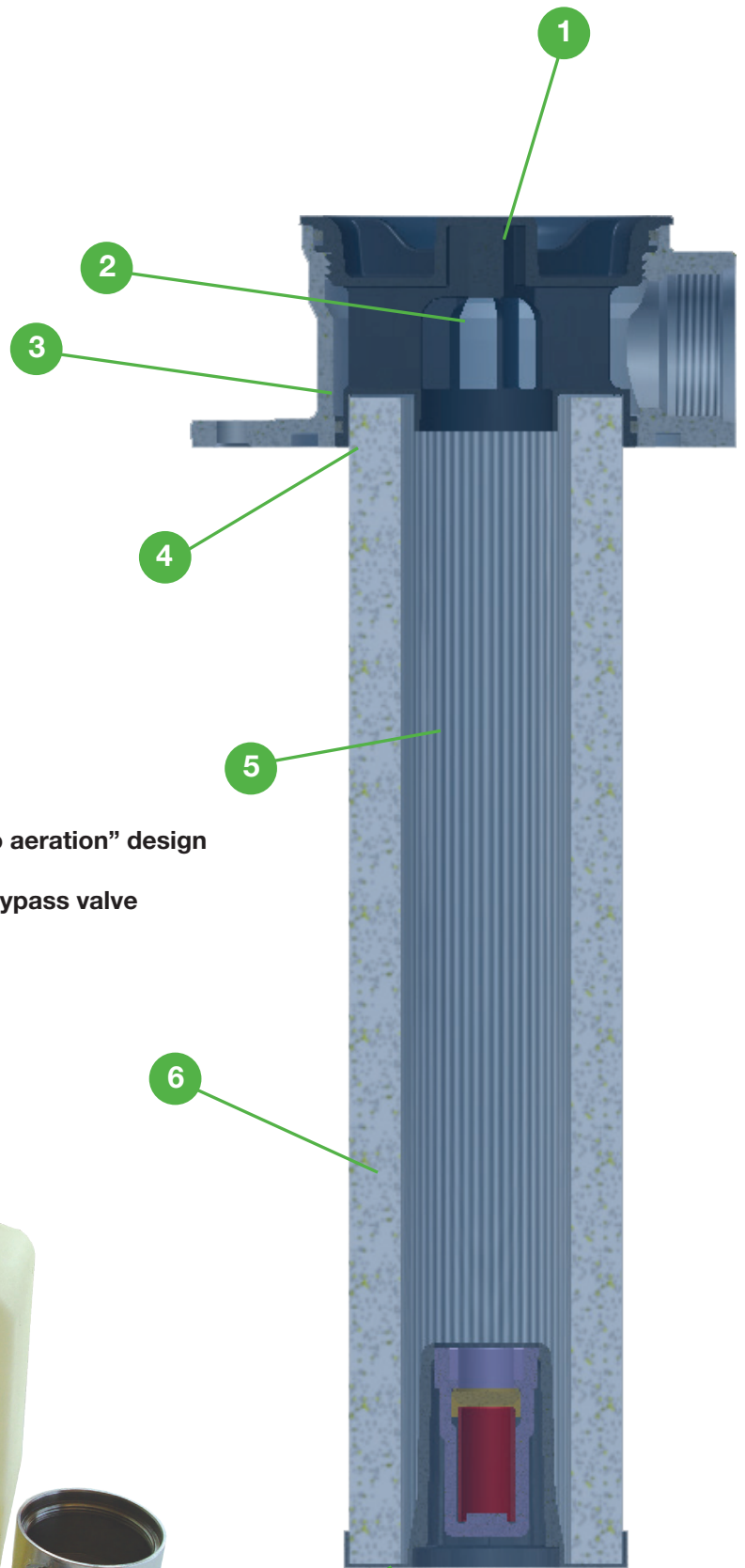


The PT Series filter combines high efficiency Microglass filtration with low cost installation featured in a new patented element design.

PT Series

Features

- 1 Easy element assembly removal
- 2 Unique high flow top end cap
- 3 Lightweight cast aluminum head
- 4 Patented filter element assembly
- 5 Bowl-less, inside-out flow
- 6 Downstream element support with “no aeration” design
- 7 Solid bottom endcap with integrated bypass valve
- 8 Low profile tank top design



PT Series

Patented Filter Element

Premium original equipment performance every time

Tank Top, Bowl-Less Design

Reduces weight

Significant cost savings over filters with bowls

Bottom Endcap Integrated Bypass Valve

New bypass valve with every element change

Insures reliable performance

Inside-Out Element Flow Path

Contamination contained within the element

No system contamination during element servicing

No Aeration Design

Oil cascades down the perforated outer support core

No system aeration

High Flow, Low Pressure Drop Top Endcap Design

Long element life

Lower maintenance costs

Premium Microglass Media

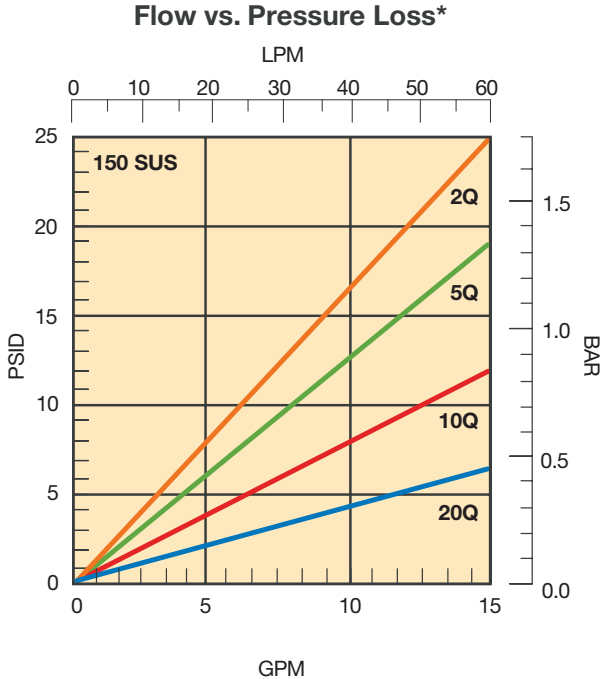
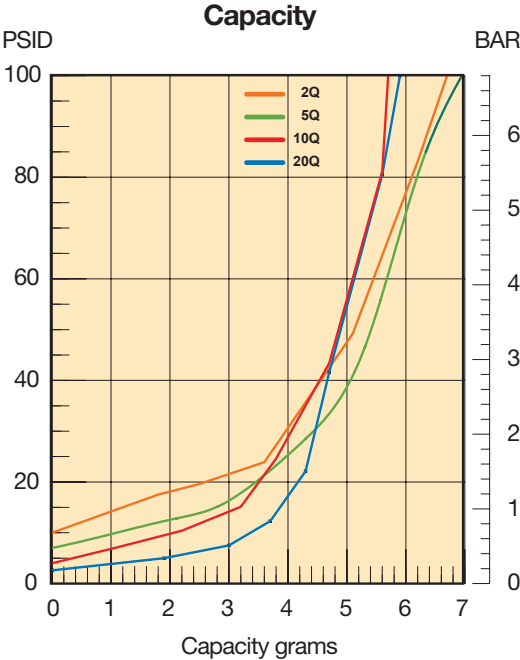
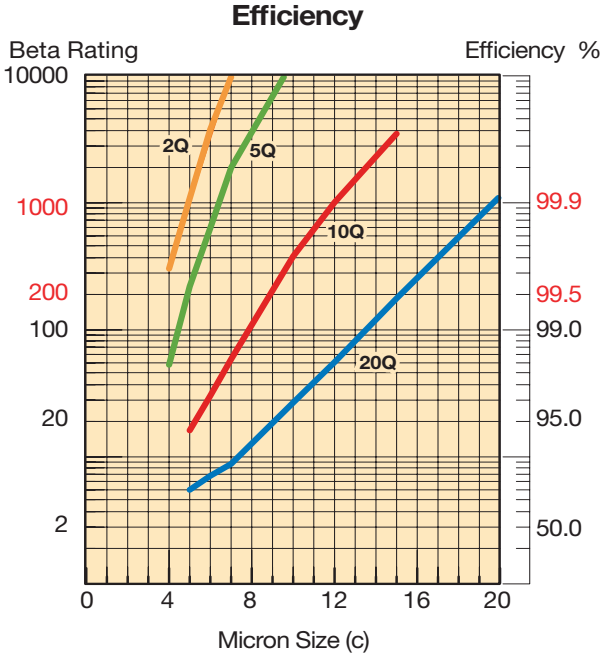
Superior dirt holding capacity and efficiency

Less maintenance and downtime



PT Series

PT2-1 Element Performance

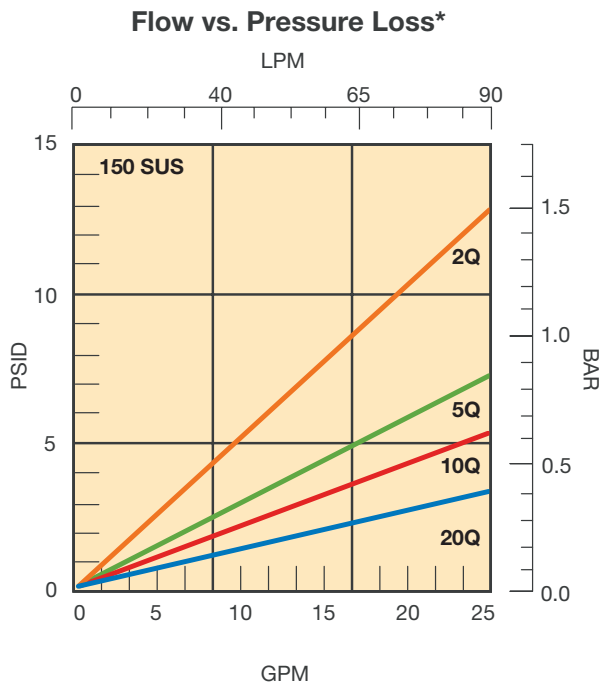
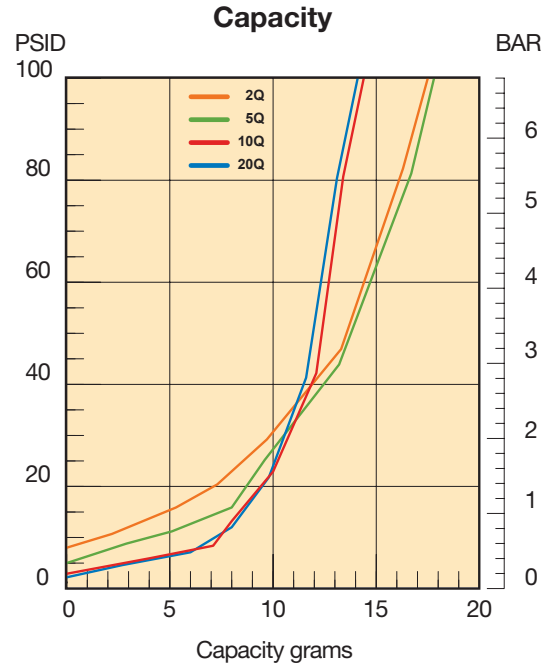
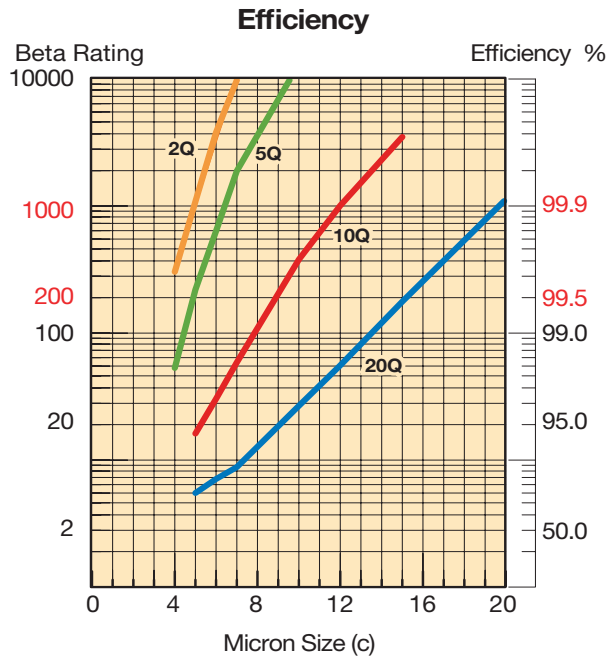


Results typical from Multi-pass tests run per test standard ISO 16889 @ 10 gpm to 100 psid terminal - 10 mg/L BUGL. Refer to Appendix on pages 264-265 for relationship to test standard ISO 4572.

*Note: Pressure drop calculations are based on SAE-12 porting.

PT Series

PT2-2 Element Performance

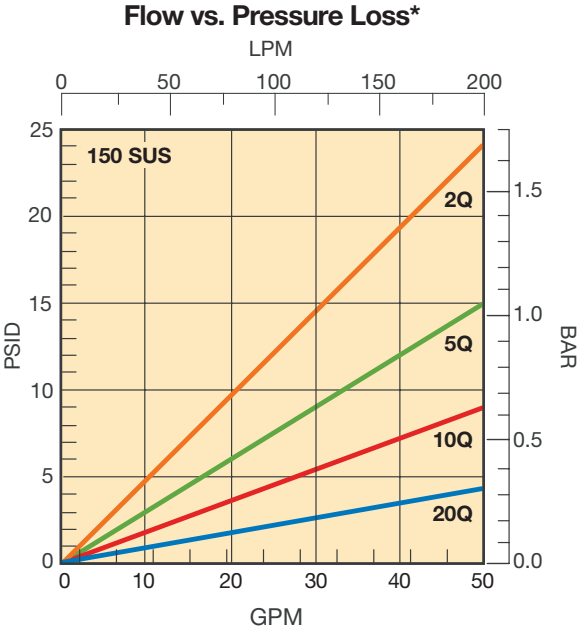
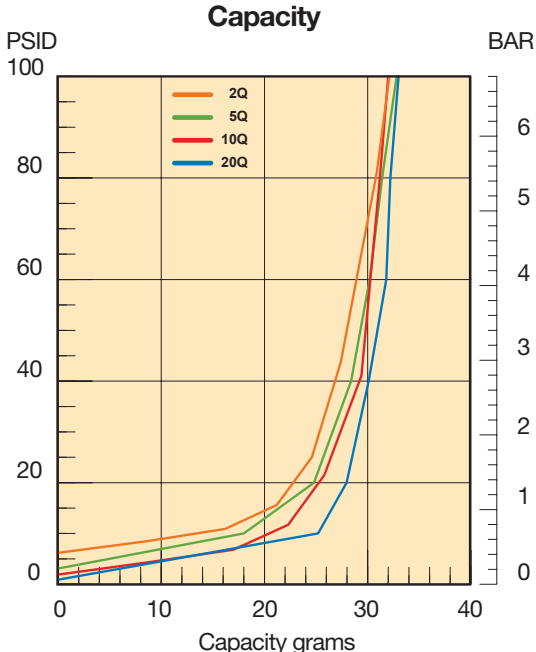
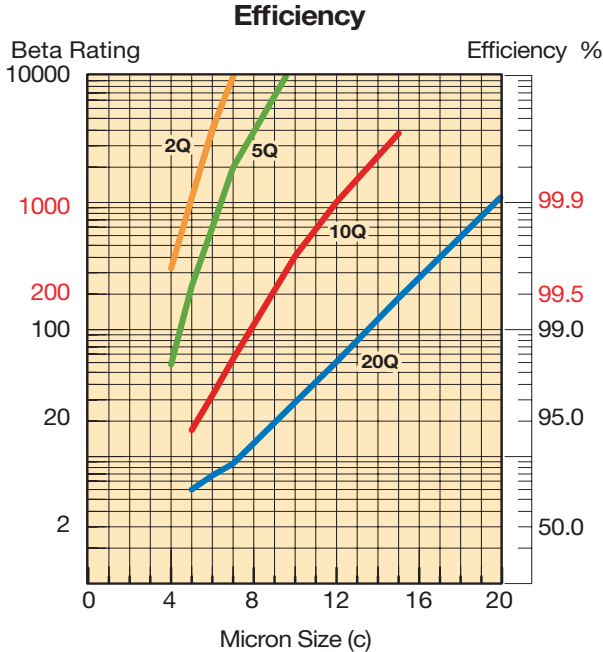


Results typical from Multi-pass tests run per test standard ISO 16889 @ 15 gpm to 100 psid terminal - 10 mg/L BUGL. Refer to Appendix on pages 264-265 for relationship to test standard ISO 4572.

*Note: Pressure drop calculations are based on SAE-12 porting.

PT Series

PT4-1 Element Performance

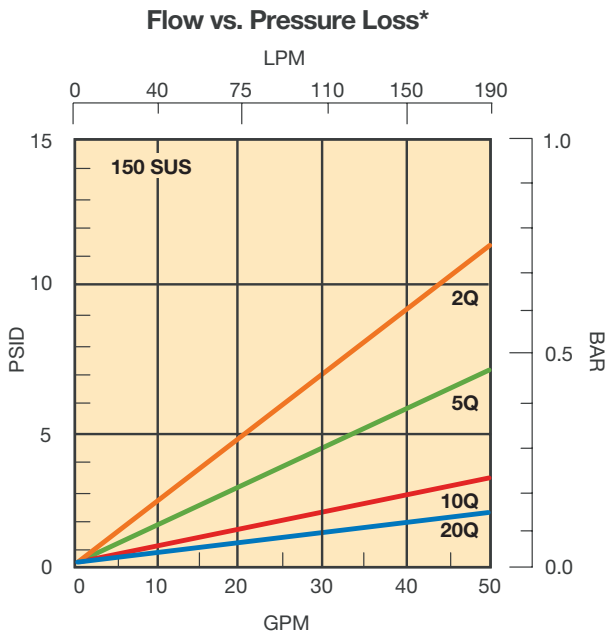
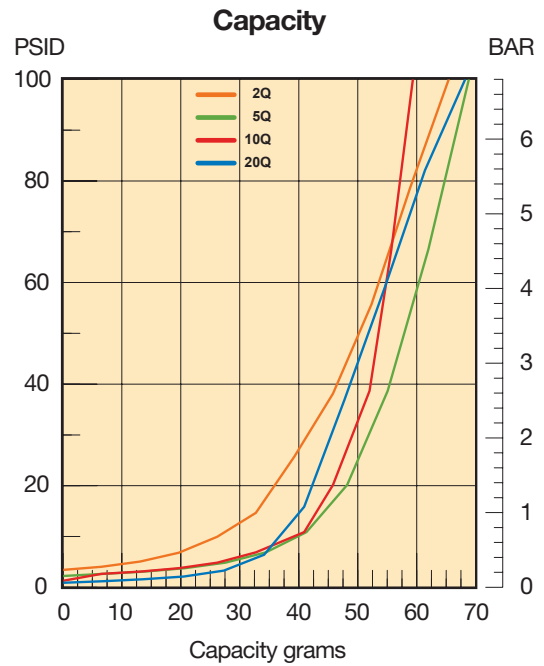
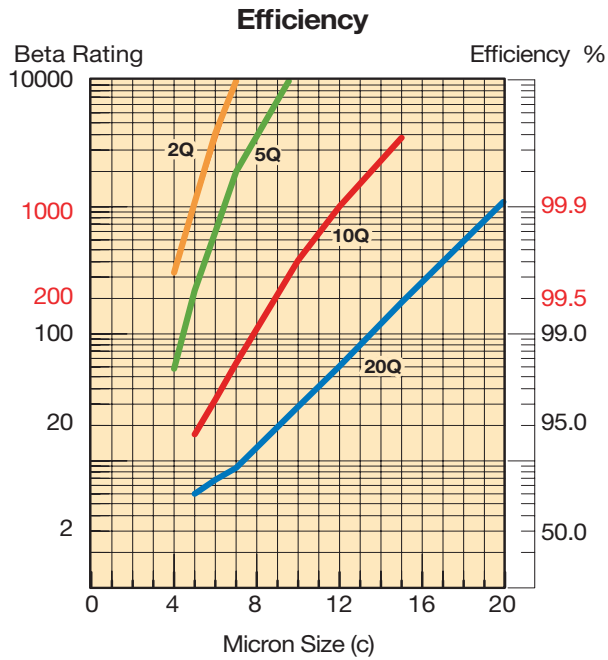


Results typical from Multi-pass tests run per test standard ISO 16889 @ 15 gpm to 100 psid terminal - 10 mg/L BUGL. Refer to Appendix on pages 264-265 for relationship to test standard ISO 4572.

*Note: Pressure drop calculations are based on SAE-16 porting.

PT Series

PT4-2 Element Performance

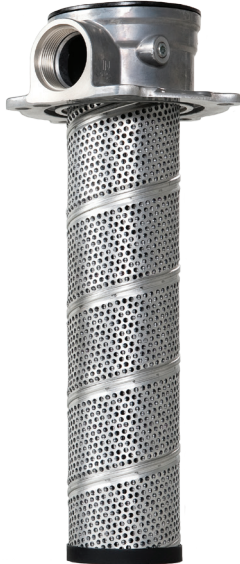
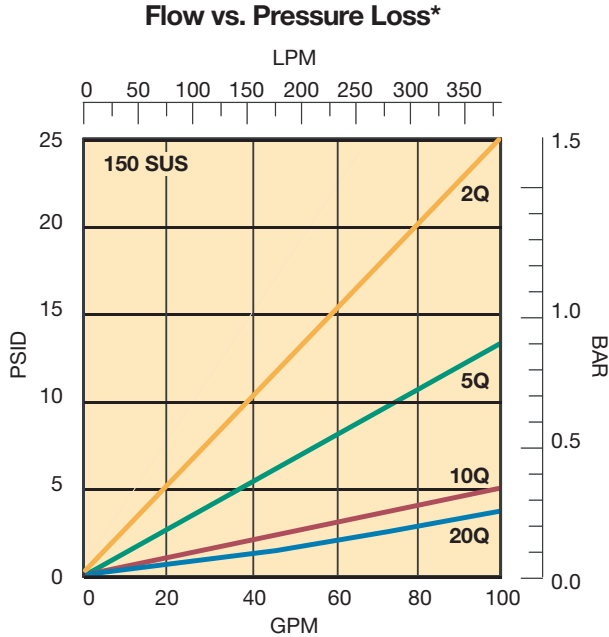
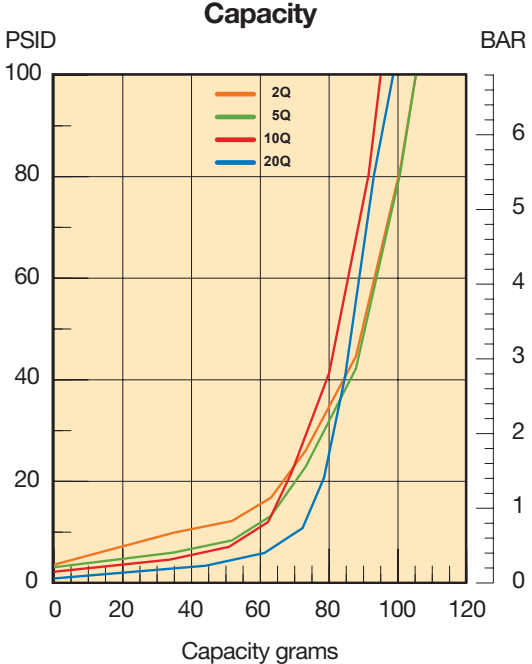
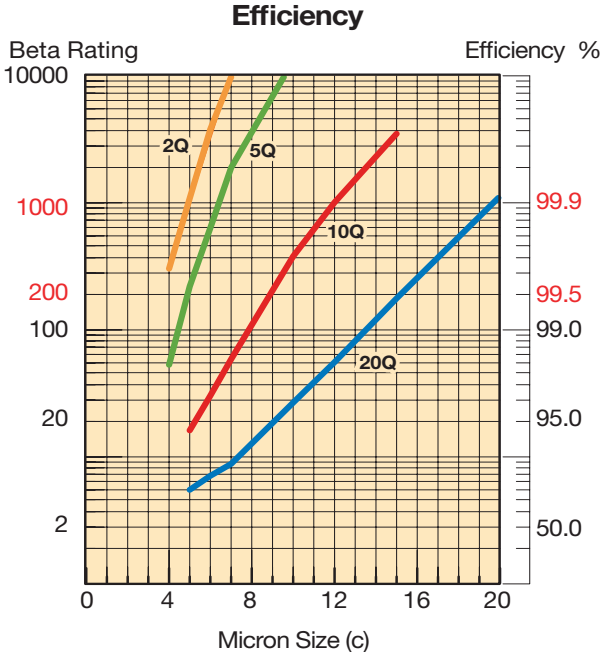


Results typical from Multi-pass tests run per test standard ISO 16889 @ 30 gpm to 100 psid terminal - 10 mg/L BUGL. Refer to Appendix on pages 264-265 for relationship to test standard ISO 4572.

*Note: Pressure drop calculations are based on SAE-16 porting.

PT Series

PT4-3 Element Performance



Results typical from Multi-pass tests run per test standard ISO 16889 @ 45 gpm to 100 psid terminal - 10 mg/L BUGL. Refer to Appendix on pages 264-265 for relationship to test standard ISO 4572.

*Note: Pressure drop calculations are based on SAE-16 porting.

PT Series

Specifications - PT2

Pressure Rating:

Maximum Allowable Operating Pressure (MAOP): 150 psi (10.3 bar)

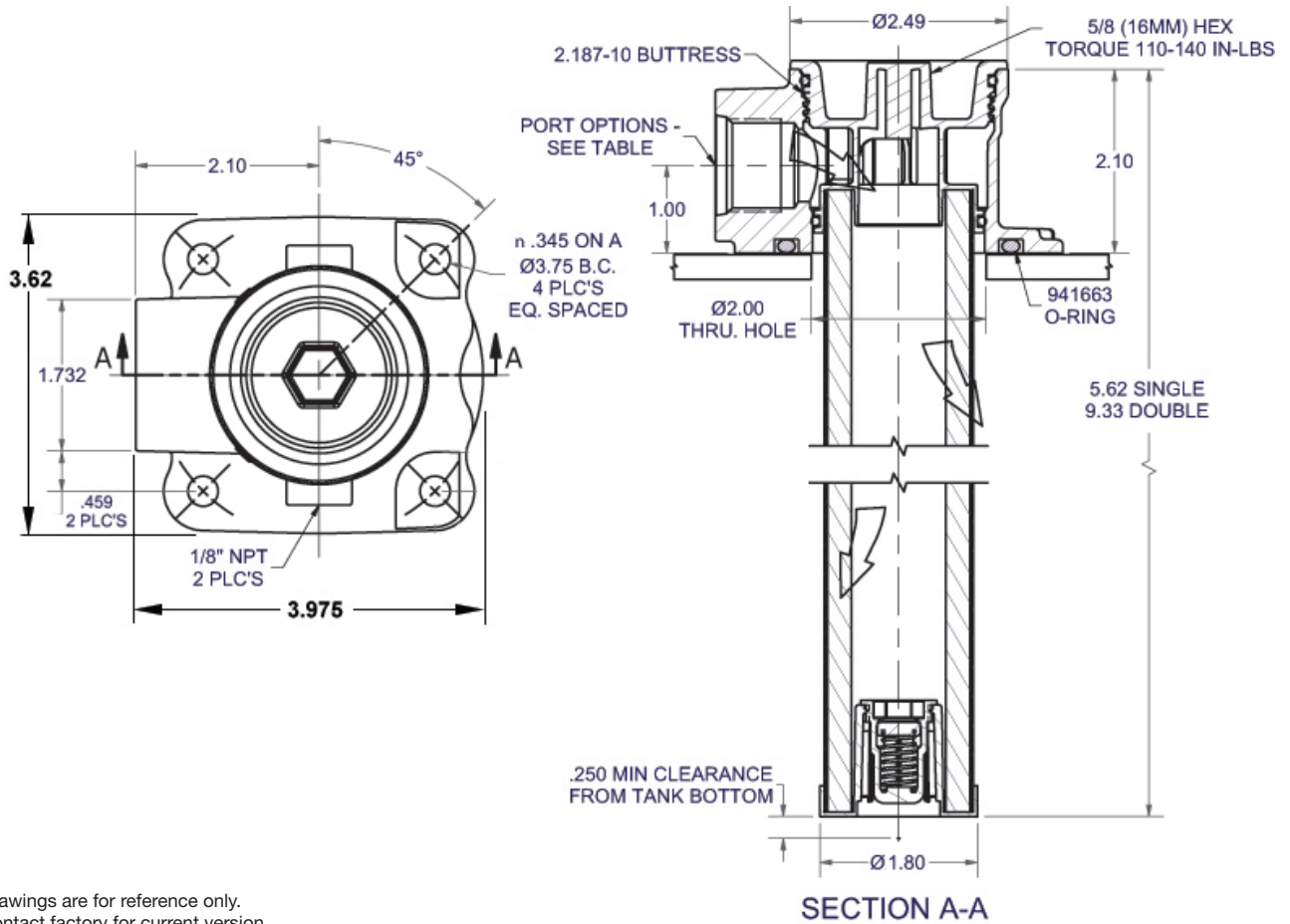
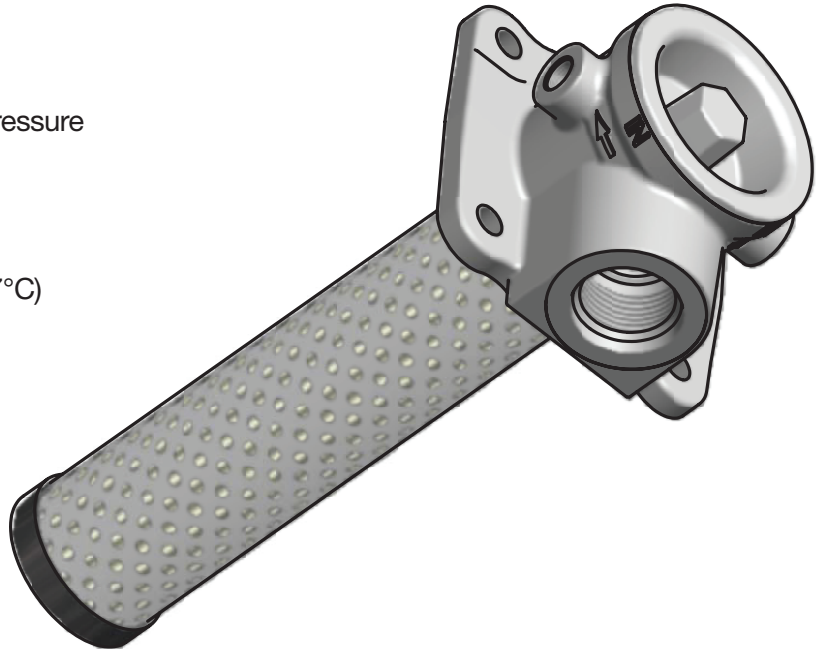
Element Burst Rating: 150 psid

Operating Temperatures:

Buna: -40°F (-40°C) to 225°F (107°C)

Materials:

Tank Flange: aluminum
Endcaps: nylon



Drawings are for reference only.
Contact factory for current version.

PT Series

Specifications - PT4

Pressure Rating:

Maximum Allowable Operating Pressure (MAOP): 150 psi (10.3 bar)

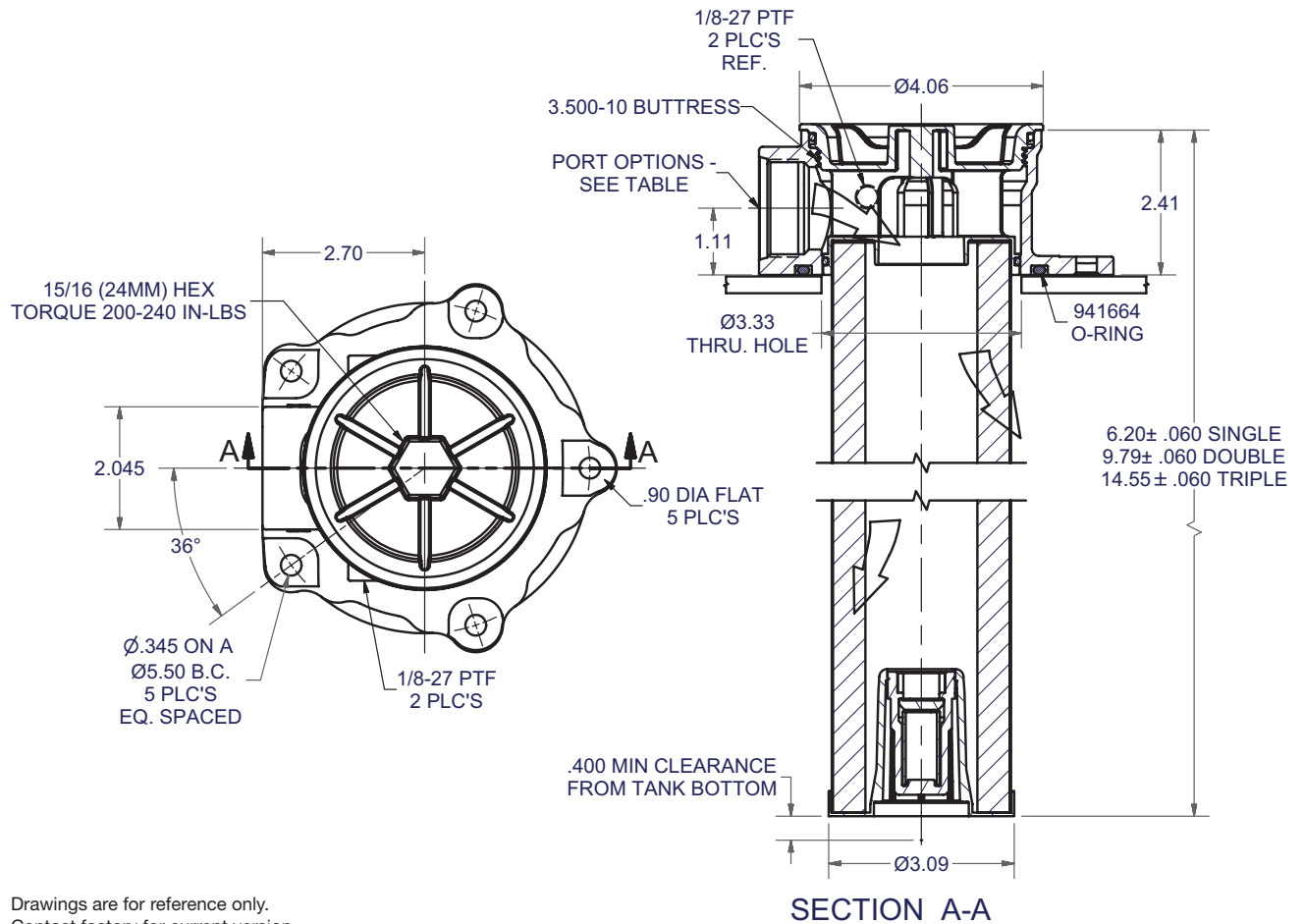
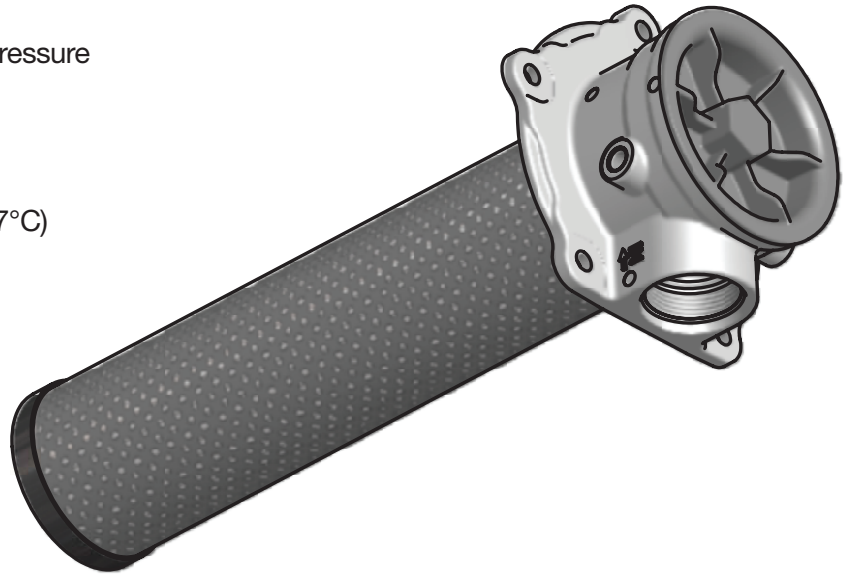
Element Burst Rating: 150 psid

Operating Temperatures:

Buna: -40°F (-40°C) to 225°F (107°C)

Materials:

Tank Flange: aluminum
Endcaps: nylon

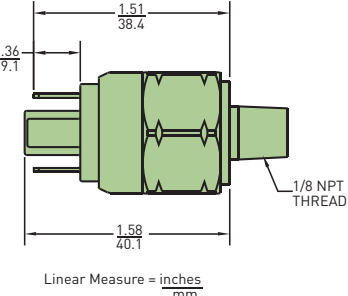
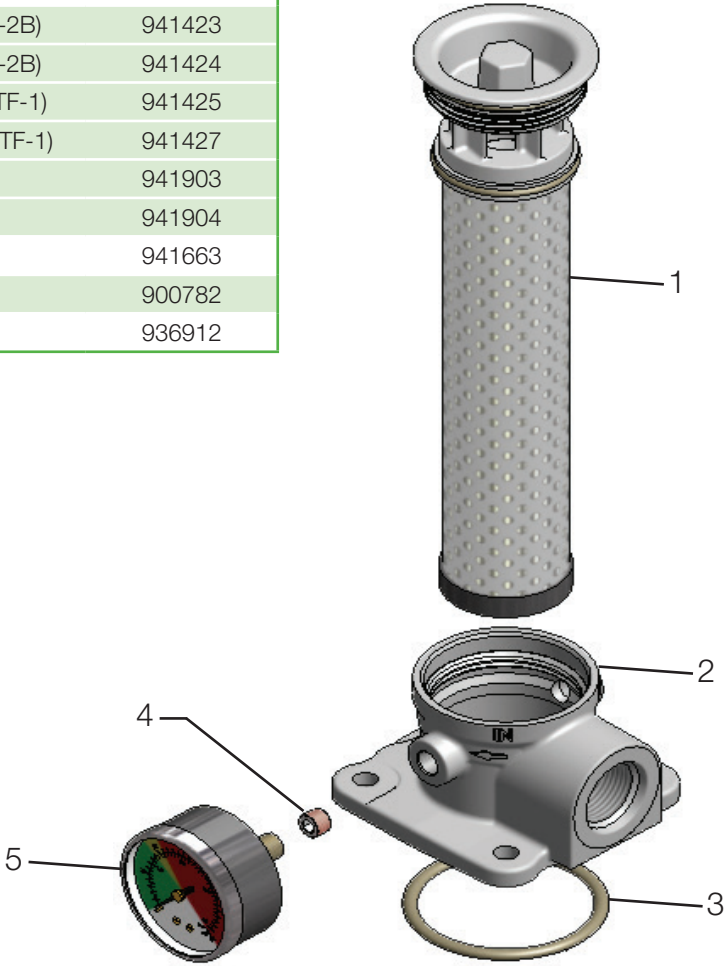


Drawings are for reference only.
Contact factory for current version.

PT Series

PT2 Parts List

INDEX	PART DESCRIPTION	PART NUMBER
1	PT2-1-02Q-25 psid bypass	936750
	PT2-1-05Q-25 psid bypass	936751
	PT2-1-10Q-25 psid bypass	936752
	PT2-1-20Q-25 psid bypass	936753
	PT2-2-02Q-25 psid bypass	936754
	PT2-2-05Q-25 psid bypass	936755
	PT2-2-10Q-25 psid bypass	936756
	PT2-2-20Q-25 psid bypass	936757
2	PT2 DIE CAST SAE-12 (1.062-12 UN-2B)	941423
	PT2 DIE CAST SAE-16 (1.312-12 UN-2B)	941424
	PT2 DIE CAST 3/4" NPT (.750-14 NPTF-1)	941425
	PT2 DIE CAST 1" NPT (1.000-11.5 NPTF-1)	941427
	PT2 DIE CAST G3/4" BSPF	941903
	PT2 DIE CAST G1" BSPF	941904
	3	O-RING
4	1/8-27 PIPE PLUG	900782
5	1/8-27 PRESSURE GAUGE	936912

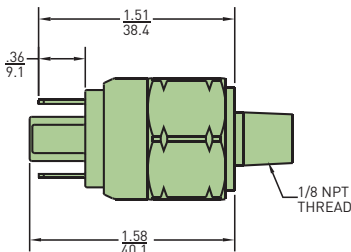
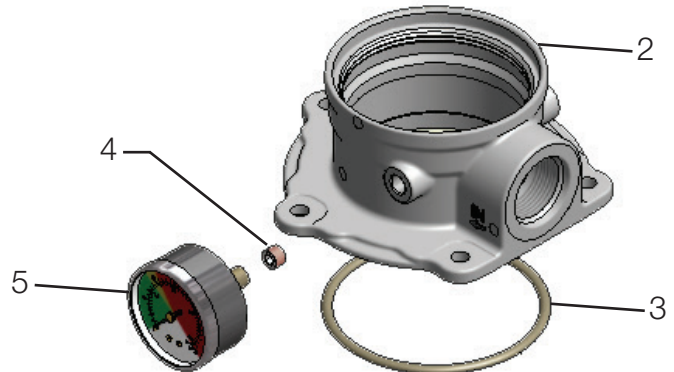
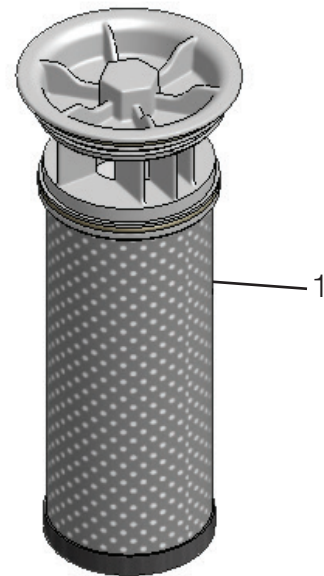


926923
2-pin normally open switch

PT Series

PT4 Parts List

INDEX	PART DESCRIPTION	PART NUMBER
1	PT4-1-02Q-25 psid bypass	936742
	PT4-1-05Q-25 psid bypass	936743
	PT4-1-10Q-25 psid bypass	936744
	PT4-1-20Q-25 psid bypass	936745
	PT4-2-02Q-25 psid bypass	936746
	PT4-2-05Q-25 psid bypass	936747
	PT4-2-10Q-25 psid bypass	936748
	PT4-2-20Q-25 psid bypass	936749
	PT4-3-02Q-25 psid bypass	936876
	PT4-3-05Q-25 psid bypass	936877
	PT4-3-10Q-25 psid bypass	936878
	PT4-3-20Q-25 psid bypass	936879
2	PT4 DIE CAST SAE-16 (1.312-12 UN-2B)	941417
	PT4 DIE CAST SAE-20 (1.625-12 UN-2B)	941448
	PT4 DIE CAST 1" NPT (1.000-11.5 NPTF-1)	941449
	PT4 DIE CAST 1 1/4" NPT (1.250-11.5 NPTF-1)	941450
	PT4 DIE CAST G1" BSPF	941905
	PT4 DIE CAST G1 1/4" BSPF	941906
3	O-RING	941664
4	1/8-27 PIPE PLUG	900782
5	1/8-27 PRESSURE GAUGE	936912



Linear Measure = inches
mm

926923

2-pin normally open switch

PT Series

Tank top filters

How To Order

Select the desired symbol (in the correct position) to construct a model code.

Example:

BOX 1	BOX 2	BOX 3	BOX 4	BOX 5	BOX 6	BOX 7	BOX 8
PT2	1	10Q	B	G	G	S16	1

BOX 1: Filter Series	
Symbol	Description
PT2	Basic Model, 25 gpm
PT4	Basic Model, 50 gpm

BOX 2: Length	
Symbol	Description
1	Single
2	Double
3	Triple (PT4 only)

BOX 3: Media Code	
Symbol	Description
02Q	Microglass, 2 micron
05Q	Microglass, 5 micron
10Q	Microglass, 10 micron
20Q	Microglass, 20 micron

BOX 4: Seals	
Symbol	Description
B	Nitrile
V	Fluorocarbon

BOX 5: Indicator	
Symbol	Description
P	Plugged Ports
G	Pressure Gauge, 25 psi
S	Pressure switch

BOX 6: Bypass	
Symbol	Description
G	25 PSI (1.7 bar)

BOX 7: Ports	
Symbol	Description
	PT2
G12	G3/4" BSPP²
G16	G1 BSPP ²
N12	3/4" NPT
N16	1" NPT
S12	SAE-12
S16	SAE-16
	PT4
G16	G1" BSPP ²
G20	G1-1/4" BSPP ²
N16	1" NPT
N20	1-1/4" NPT
S16	SAE-16
S20	SAE-20

BOX 7: Options	
Symbol	Description
1	None
W ³	Steel weld ring

Notes:

1. The filters include the element you select already installed.
2. When "G12", "G16" or "G20" are selected in Box 7, "P" must be selected in Box 5. BSPP Gauge and Switch are available as separate accessory components.
3. When "W" is selected in Box 8, the PT2 port options are "N12" and "S12"; the PT4 port options are "N16" and "S16".

Please note the bolded options reflect standard options with a reduced lead time.