

Diesel Spin-On - 400 Series

FUEL

Specifications:

Height: 445: 8.83" (22.4 cm)
 460: 10.55" (26.8 cm)
 490: 11.55" (29.3 cm)
 4120: 14.83" (37.7 cm)
 4125: 14.17" (35.9 cm)

Width: 4.39" (11.15 cm)

Depth: 4.79" (12.17 cm)

Ports: 445, 460, 490:
 3/8-18 NPTF

4120, 4125:
 3/4-16 UNF-2B

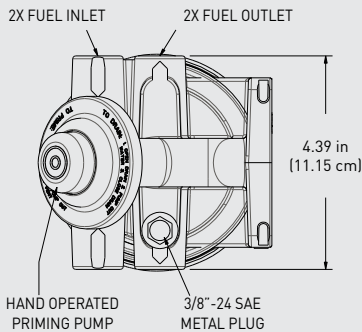
Service Clearance: 2.0" (5.1 cm)

Create a Part Number

Mounting Head	Flow Rating	Heater (Optional)	Micron Rating
Hand Primer - 4 Port	45 gph (170 lph) - Standard Bowl	12 volt Heater	2 Micron
	60 gph (227 lph) - Standard Bowl	24 volt Heater	10 Micron
	90 gph (341 lph) - Standard Bowl		30 Micron
	120 gph (454 lph) - Deep Bowl		
	120 gph (454 lph) - Standard Bowl		
4	45R 60R 90R 120R 125R	12 24	2 10 30

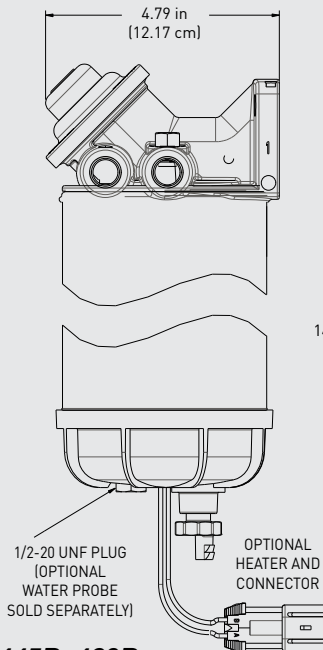
RACOR®

Dimensions:

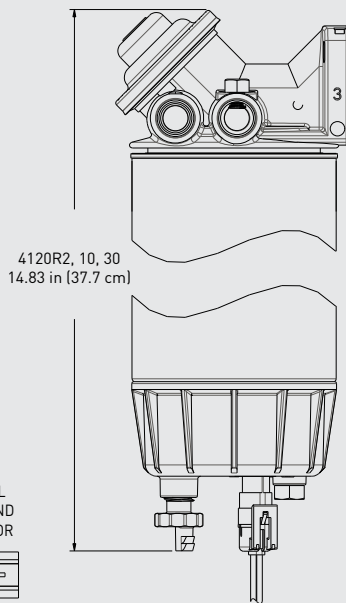


Top

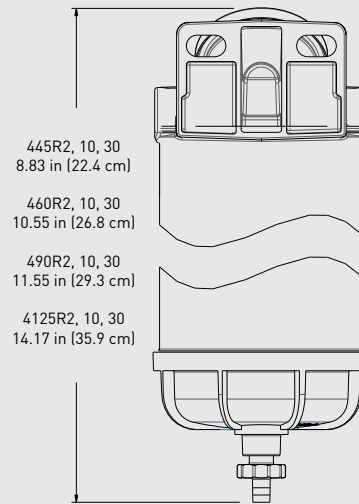
ASSEMBLIES	DESCRIPTION
445R2, 445R10, 445R30	FF/WS, Hand Primer, 45 gph Flow Rate, 2, 10, or 30 Micron Filtration
445R1230	FF/WS, Hand Primer, 45 gph Flow Rate, 12 volt Heater, 30 Micron Filtration
460R2, 460R10, 460R30	FF/WS, Hand Primer, 60 gph Flow Rate, 2, 10, or 30 Micron Filtration
460R1210, 460R1230	FF/WS, Hand Primer, 60 gph Flow Rate, 12 volt Heater, 10, or 30 Micron Filtration
460R2430	FF/WS, Hand Primer, 60 gph Flow Rate, 24 volt Heater, 30 Micron Filtration
490R2, 490R10, 490R30	FF/WS, Hand Primer, 90 gph Flow Rate, 2, 10, or 30 Micron Filtration
490R122, 490R1210, 490R1230	FF/WS, Hand Primer, 90 gph Flow Rate, 12 volt Heater, 2, 10, or 30 Micron Filtration
490R2410, 490R2430	FF/WS, Hand Primer, 90 gph Flow Rate, 24 volt Heater, 10, or 30 Micron Filtration
4125R10	FF/WS, Hand Primer, 120 gph Flow Rate, 10 Micron Filtration
4120R2, 4120R10, 4120R30	FF/WS, Hand Primer, Deep Bowl, 120 gph Flow Rate, 2, 10, or 30 Micron Filtration
4120R1210, 4120R1230	FF/WS, Hand Primer, Deep Bowl, 120 gph Flow Rate, 12 volt Heater, 10 or 30 Micron Filtration



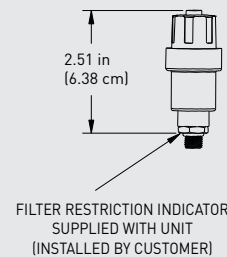
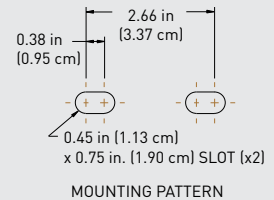
445R, 460R,
 490R, 4125R Profile



4120R Profile



Back



FILTER RESTRICTION INDICATOR
 SUPPLIED WITH UNIT
 (INSTALLED BY CUSTOMER)

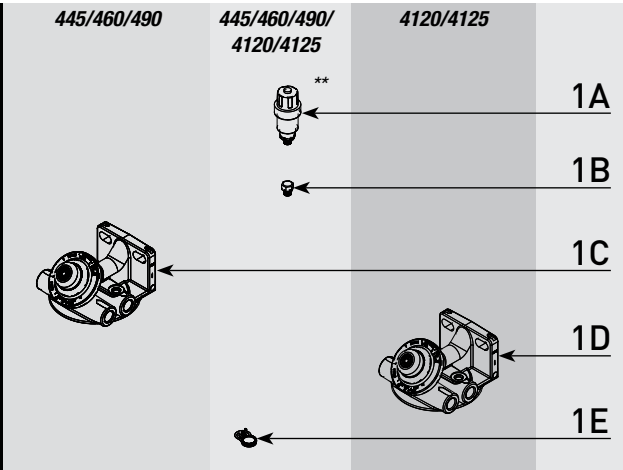


WARNING: The products described in this literature can expose you to chemicals including Diisononyl phthalate, Carbon black extract, which are known to the State of California to cause cancer. For more information go to www.P65Warnings.ca.gov.

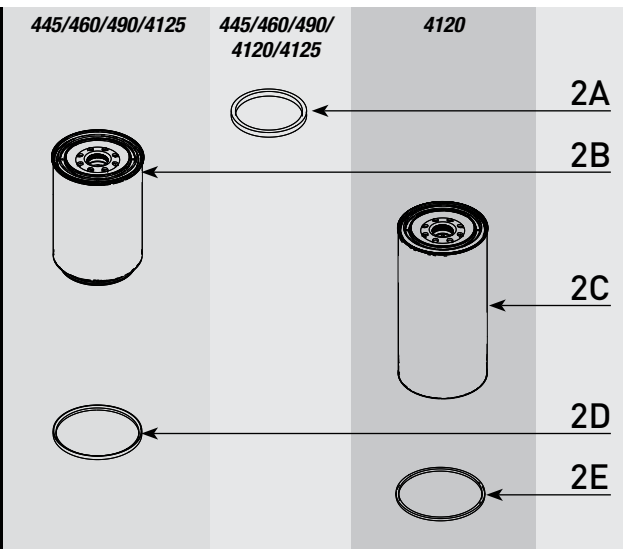
PARTS

Diesel Spin-On - 400 Series

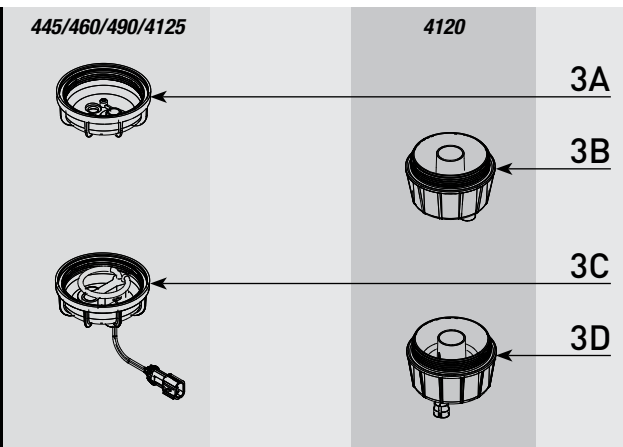
1



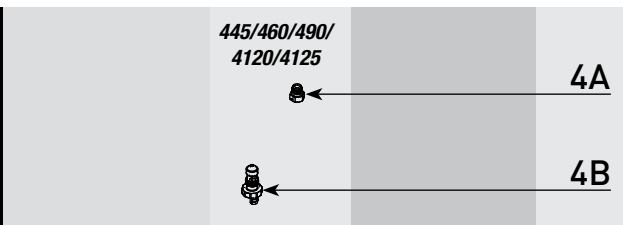
2



3



4



Part #	Description
1A	RK 32036 Fuel Restriction Indicator 3/8" SAE Threads **
1B	RK 10110 Metal Vent Plug Kit (3/8"-24 SAE)
1C	Mounting Head Kit (445/460/490) - 3/8"-18 NPTF Ports
1D	Mounting Head Kit (4120/4125) - 3/4"-16 SAE Ports
1E	RK 22798 Hand Primer Bypass Valve Kit

2A	Filter Gasket - <i>Included in 2B or 2C</i>
2B	R45S 445 Replacement Filter - 2 micron - <i>Includes 2A, 2D</i> R45T 445 Replacement Filter - 10 micron - <i>Includes 2A, 2D</i> R45P 445 Replacement Filter - 30 micron - <i>Includes 2A, 2D</i> R60S 460 Replacement Filter - 2 micron - <i>Includes 2A, 2D</i> R60T 460 Replacement Filter - 10 micron - <i>Includes 2A, 2D</i> R60P 460 Replacement Filter - 30 micron - <i>Includes 2A, 2D</i> R90S 490 Replacement Filter - 2 micron - <i>Includes 2A, 2D</i> R90T 490 Replacement Filter - 10 micron - <i>Includes 2A, 2D</i> R90P 490 Replacement Filter - 30 micron - <i>Includes 2A, 2D</i> R125T 4125 Replacement Filter - 10 micron - <i>Includes 2A, 2D</i> R125P 4125 Replacement Filter - 30 micron - <i>Includes 2A, 2D</i>
2C	R120S 4120 Replacement Filter - 2 micron - <i>Includes 2A, 2E</i> R120T 4120 Replacement Filter - 10 micron - <i>Includes 2A, 2E</i> R120P 4120 Replacement Filter - 30 micron - <i>Includes 2A, 2E</i>
2D	Bowl Gasket - <i>Included in 2B, 3A, or 3C</i>
2E	Bowl Gasket - <i>Included in 2C, 3B, or 3D</i>

3A	RK21113-01 Clear Bowl Kit (445/460/490/4125) - <i>Includes 2D, 4A, & 4B</i> RK21113-02 Clear Bowl & WIF Sensor Kit (445/460/490/4125) - <i>Includes 2D, 4B, & 5A</i>
3B	RK 30063 Deep Clear Bowl Kit (4120) - <i>Includes 2E, 4A, & 4B</i>
3C	RK21113-12-10 Heated Bowl Kit (445/460/490/4125) - Clear bowl with 12 vdc heater - <i>Includes 2D, 4B, 5A - Initial installations require heater relay RK 11861 - See 5C</i> RK21113-24-10 Heated Bowl Kit (445/460/490/4125) - Clear bowl with 24 vdc heater - <i>Includes 2D, 4B, 5A - Initial installations require heater relay RK 11862 - See 5C</i>
3D	RK 30900 Heated Bowl Kit (4120) - Clear bowl with 12 vdc heater - <i>Includes 2E, 4A, 4B - Initial installations require heater relay RK 11861 - See 5C</i> RK 30925 Heated Bowl Kit (4120) - Clear bowl with 24 vdc heater - <i>Includes 2E, 4A, 4B - Initial installations require heater relay RK 11862 - See 5C</i>

4A	RK 20126 WIF Port Plug Kit (1/2"-20 SAE)
4B	Self-Venting Drain Kit

Additional Parts (not shown)

5A	RK30880E WIF Sensor/Detection Kit - 1/2"-20 UNF RK33802 Replacement WIF Probe (1/2"-20 SAE) - No Internal Resistor, 12/24V - <i>Requires Water Detection Amplifier See RSL7529 for available Probes, Sensors, and Amplifiers</i>
5B	RK 20726 Water Detection Module Kit - 12 or 24 vdc - <i>Includes Amplifier (Light and Buzzer) & RK 21069 (WIF Probe)</i> <i>See RSL7529 for available Probes, Sensors, and Amplifiers</i>
5C	RK 11861 Heater Relay Kit - 12 Volt RK 11862 Heater Relay Kit - 24 Volt



Online Link
Diesel Spin-On Product Selector

** Note: Not for use in gasoline applications

RSL0366_CUT_SpinOn_400-Series (05/18 Rev A)

Questions? Email: racortech@parker.com Phone: 800-344-3286 News: www.racornews.com