

# Reservoir Accessories

## Metal Filler Breathers

### Flange Type

#### Specifications

##### Materials:

Cap & Plate: Nickel chrome plated steel

Valve: Nylon/Nitrile

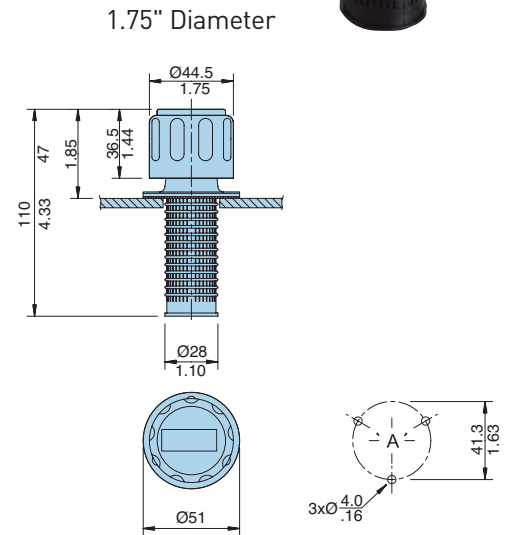
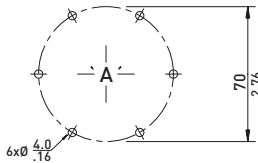
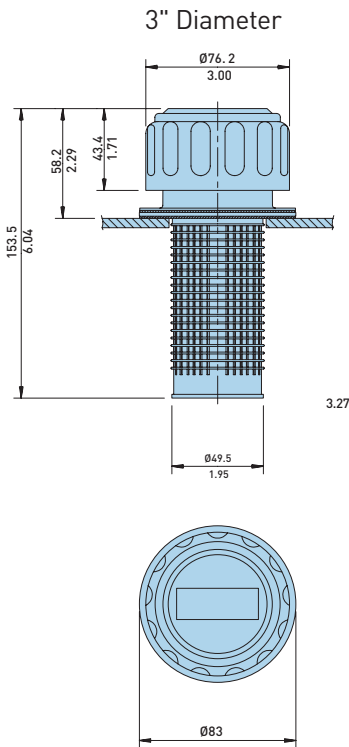
Gasket: Cork

**Filtration Element:** Expanded polyurethane foam, 10 micron

**Operating Temperatures:** -22°F (-30°C) to 195°F (90°C)

**Seals:** Nitrile

**Pressurization Options:** none, 5 psi (0.35 bar)



Linear Measurement =  $\frac{\text{mm}}{\text{in}}$

Drawings are for reference only.  
Contact factory for current version.

#### Flange type, Non-pressurized (dimensions inches(mm))

Part Number	Cap Assembly	Micron Rating	Air Flow	Description	Screws
AB116310	CAP.1163.10	10	2 gal/sec (7.5 l/sec)	3 (76) diameter	(6)-#10x.5
5561	NA	10	2 gal/sec (7.5 l/sec)	3 (76) diameter w/ lock lug	(6)-#10x.5
AB.1380.10	CAP.1380.40	10	1.3 gal/sec (5 l/sec)	1.75 (44.5) diameter	(6)-#10x.5

#### Flange type, Pressurized (dimensions inches(mm))

Part Number	Cap Assembly	Micron Rating	Air Flow	Description	Screws
PAB.1730.10.5	CAP.1730.40.5	10	2 gal/sec (7.5 l/sec)	5 psi (.35 bar), 3" (76mm) diameter	(6)-#10x.5

# Reservoir Accessories

## Metal Breathers

### Threaded Type

#### Specifications

##### Materials:

Cap & Plate: Nickel chrome plated steel

Valve: Nylon/Nitrile

Gasket: Cork

Filtration Element: Expanded polyurethane foam, 10 micron

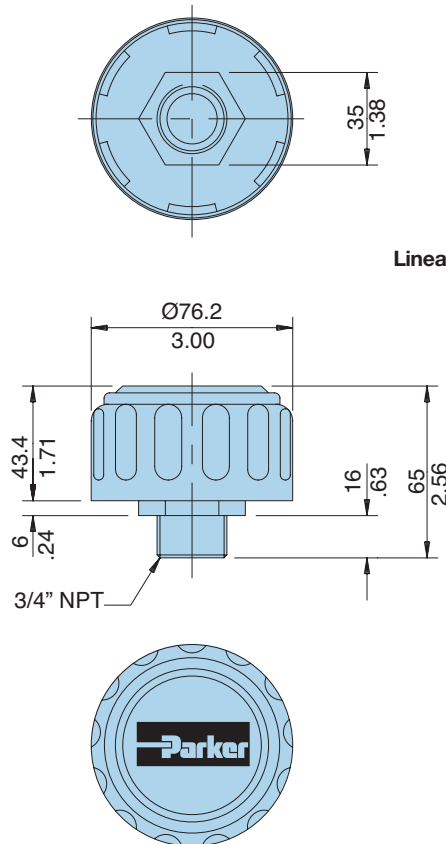
Operating Temperatures: -22°F (-30°C) to 195°F (90°C)

Seals: Nitrile

Pressurization Options: none, 5 psi (0.35 bar)

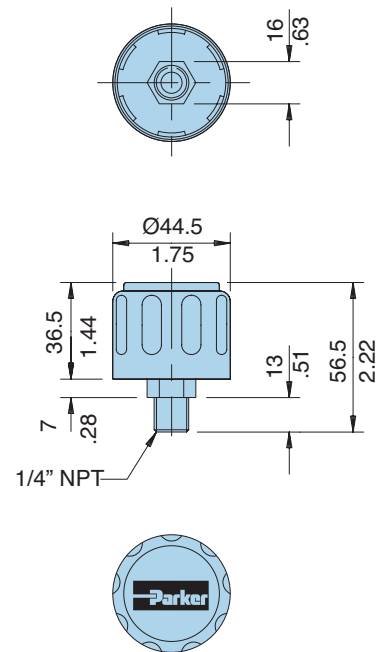


3/4" Threaded



1/4" Threaded

Linear Measurement =  $\frac{\text{mm}}{\text{in}}$



Drawings are for reference only.  
Contact factory for current version.

#### Threaded, Non-pressurized (dimensions inches(mm))

Single-Hole Part Number	Micron Rating	Thread	Air Flow	Description
SAB.1562.10.NPT	10	3/4" NPT	1.3 gal/sec. (5 l/sec)	3 (76) diameter
SAB.1563.10.NPT	10	1/4" NPT	0.7 gal/sec. (2.5 l/sec)	1.75 (44.5) diameter