

Reservoir Accessories

Non-Metallic Filler Breathers

Anti-Splash Design!

Specifications

Materials:

Body: Non-corrodible glass filled nylon

Valve: Nylon/Nitrile

Dipstick: ABS, acetal Hi/Lo indicators

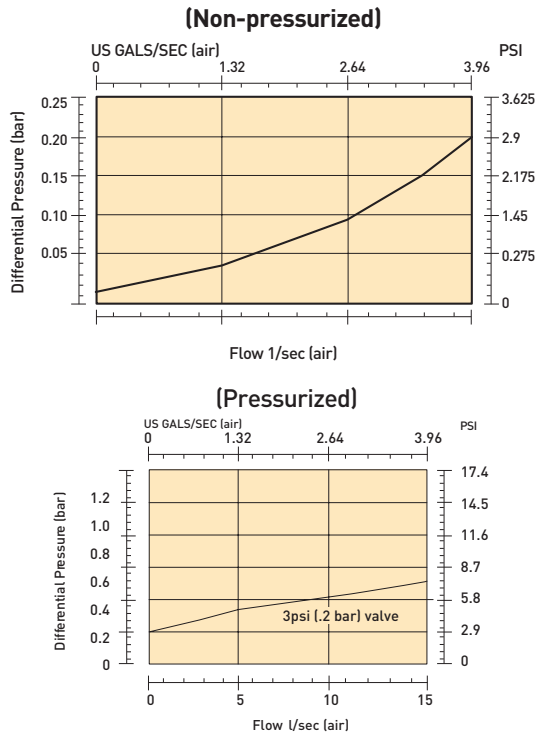
Filtration Element: Expanded polyurethane foam, 10 micron

Operating Temperatures: -22°F (-30°C) to 195°F (90°C)

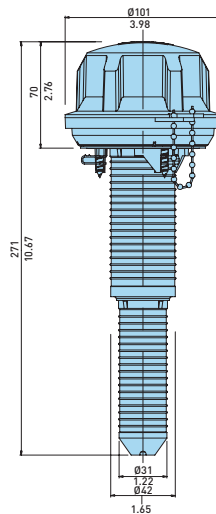
Seals: Nitrile (single-hole), cork gasket (six-hole)

Pressurization Options: 3 psi (0.2 bar)

Dipstick: (optional) 7.9 in. (200 mm) or 15.8 in. (400 mm) lengths with adjustable Hi/Lo indicators

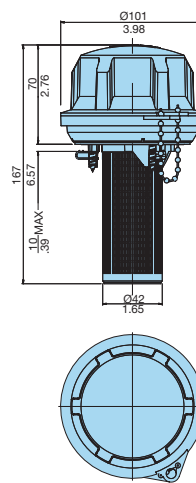


Telescopic Strainer

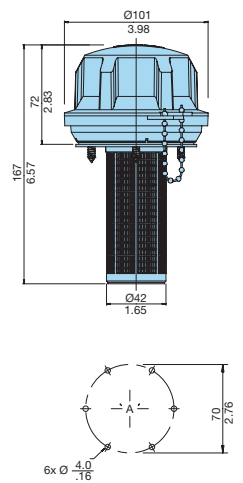


TANK MOUNTING HOLE Ø63
NOTE: REFER TO UCC PRODUCTION INSTRUCTIONS FOR ASSEMBLY DETAILS AND PACKING REQUIREMENTS

Single-Hole Option



Six-Hole Option



Linear Measurement = $\frac{\text{mm}}{\text{in}}$

Non-pressurized

Single-Hole Part Number	Six-Hole Part Number	Micron Rating	Description	Screws*
AB98210011	AB.98810011.UC	10	Filler breather w/ 3.7" (95 mm) strainer	(6)-#10x.5
AB98210021	AB.98810021.UC	10	Filler breather w/ telescopic strainer	(6)-#10x.5

Pressurized

Single-Hole Part Number	Six-Hole Part Number	Micron Rating	Description	Screws*
Not available	AB.98812021.UC	10	3 psi (.2 bar) with telescopic strainer	(6)-#10x.5

Dipsticks

Part Number	Description
B68206	Pack of (10) x 7.9"
B68207	Pack of (10) x 15.8"

*Mounting screws for six-hole only

Drawings are for reference only.
Contact factory for current version.

Reservoir Accessories

Non-Metallic Breathers

Non-Metallic Breathers Threaded Type

Specifications

Materials:

Body: Nylon 66

Valve: Nylon/Nitrile

Dipstick: ABS, acetal Hi/Lo indicators

Filtration Element: Expanded polyurethane foam, 10 micron

Operating Temperatures: -22°F (-30°C) to 195°F (90°C)

Seals: Nitrile

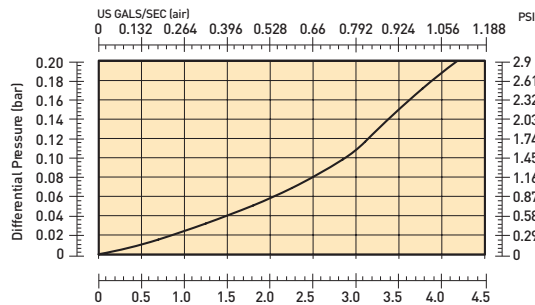
Pressurization Options: 3 psi (0.2 bar)

Dipstick: (optional) 7.9 in. (200 mm) or 15.8 in. (400mm) lengths with adjustable Hi/Lo indicators

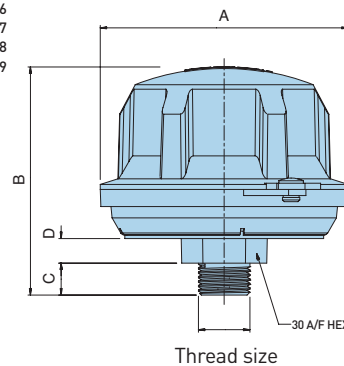
Anti-Splash Design!



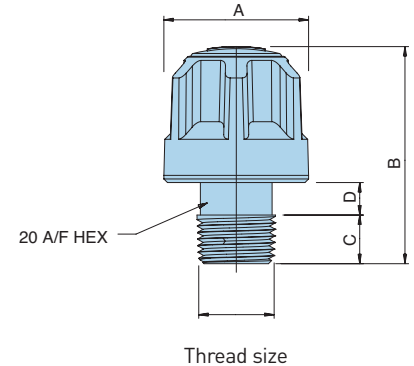
COMPACT THREADED



Standard Threaded



Compact Threaded



Compact Threaded (dimensions inches(mm))

Single-Hole Part Number	Micron Rating	Thread	Pressure	A	B	C	D
943296*	10	1/4" NPT	non-pressurized	1.6 (40)	2.2 (57)	.55 (14)	.24 (6)
943298*	10	1/2" NPT	non-pressurized	1.6 (40)	2.4 (60)	.53 (13.5)	.35 (9)
942642*	10	3/4" NPT	non-pressurized	1.6 (40)	2.4 (60)	.55 (14)	.35 (9)
983297	10	3/8" NPT	non-pressurized				

Standard Threaded (dimensions inches(mm))

Single-Hole Part Number	Micron Rating	Thread	Pressure	A	B	C	D
AB.98410201.UC	10	3/4" NPT	non-pressurized	4.0 (101)	3.8 (95)	.63 (16)	.39 (10)
AB.98412201.UC	10	3/8" NPT	3 psi (.2 bar)				

Dipsticks

Part Number	Description
B68206	Pack of (10) x 7.9"
B68207	Pack of (10) x 15.8"

Drawings are for reference only.
Contact factory for current version.