

# Suction Elements

Reservoir Equipment



## Proven solutions for oil reservoir efficiency

### A range of quality fluid power products for reservoir and system application

A high quality range of products designed to complete a reservoir installation including in-tank suction strainers and oil diffusers, metal and polyester in-line filters and drive couplings with nylon sleeve and sintered steel couplings. Inline check valves, single station gauge isolator valve and 63mm/100mm pressure gauges are also available.



## Contact Information:

Parker Hannifin  
**Hydraulic Filter Division Europe**

**European Product  
Information Centre**  
Freephone: 00800 27 27 5374  
(from AT, BE, CH, CZ, DE, EE, ES,  
FI, FR, IE, IT, PT, SE, SK, UK)  
filtrationinfo@parker.com

[www.parker.com/hfde](http://www.parker.com/hfde)

## Product Features:

- In-tank suction strainers and oil diffusers.
- Metal and polyester in-line filters and drive couplings.
- Inline check valves.
- Gauge isolator valves and 63mm/100mm pressure gauges.

# Suction Elements

## Reservoir Equipment

### Specification



**Construction:**

Stainless steel media 30% glass filled nylon head. Zintec centre tube. Polyurethane adhesives.

**Maximum working temperature:**

-30°C to 90°C.

**Maximum clear element pressure drop:**

0.03 bar.

**Filtration media:**

125 micron\*.

**Flow range:**

15-500 l/min (for 30cst).

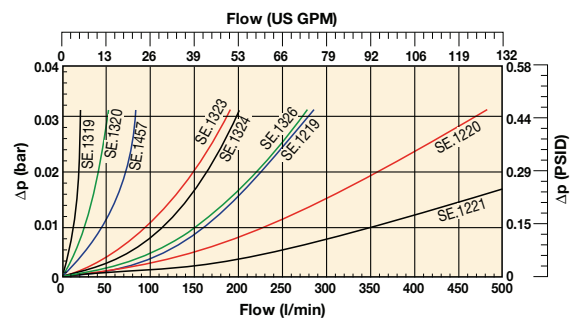
**Bypass rating:**

0.17 bar.

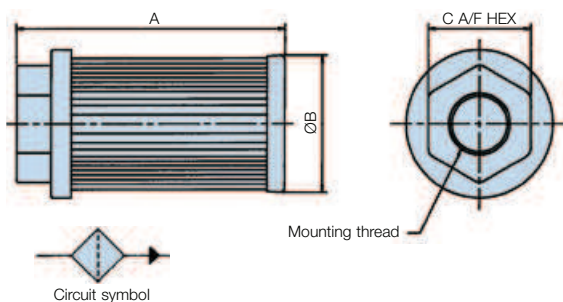
**Mounting threads:**

G<sup>1</sup>/<sub>2</sub> up to G3.

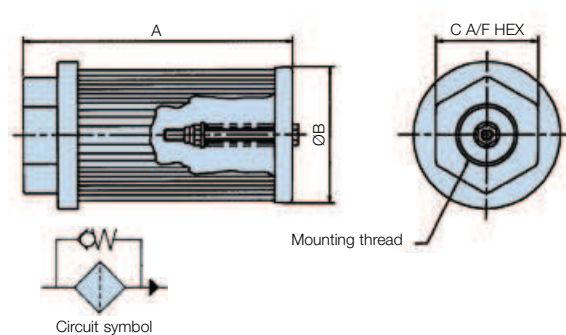
\* Non-standard elements are available to order. Consult Parker Filtration.



### Installation - Suction Elements Without Bypass



### Installation - Suction Elements with Bypass



### Ordering Information - Without Bypass

**Standard products table**

Part number	Supersedes	Flow l/min	Ports BSP	Micron rating	Dimensions (mm)			Weight	Bypass rating
					A	B	C		
<b>SE75111110</b>	SE.1319	15	1/2	125	105.5	46	36	0.08	N/A
<b>SE75221110</b>	SE.1320	25	3/4	125	109.5	64	46	0.15	N/A
<b>SE75231210</b>	SE.1457	50	1	125	139.5	64	55	0.17	N/A
<b>SE75351210</b>	SE.1323	95	1 1/2	125	140	86	65	0.28	N/A
<b>SE75351310</b>	SE.1324	130	1 1/2	125	200	86	65	0.33	N/A
<b>SE75361410</b>	SE.1326	180	2	125	260	86	75	0.40	N/A
<b>SE75461210</b>	SE.1219	225	2	125	150	150	70	0.64	N/A
<b>SE75471310</b>	SE.1220	350	2 1/2	125	212	150	90	0.72	N/A
<b>SE75481410</b>	SE.1221	500	3	125	272	150	100	0.92	N/A

Note 1: Part numbers featured with bold highlighted codes will ensure a 'standard' product selection.

Note 2: Alternate displayed part number selection will require you to contact Parker Filtration for availability.

### Ordering Information - With Bypass

**Standard products table**

Part number	Supersedes	Flow l/min	Ports BSP	Micron rating	Dimensions (mm)			Weight	Bypass rating
					A	B	C		
<b>SE75111111</b>	SE.5100	15	1/2	125	105.5	46	36	0.08	0.17 bar
<b>SE75221111</b>	SE.5101	25	3/4	125	109.5	64	46	0.15	0.17 bar
<b>SE75231211</b>	SE.5102	50	1	125	139.5	64	55	0.17	0.17 bar
<b>SE75351211</b>	SE.5103	95	1 1/2	125	140	86	65	0.28	0.17 bar
<b>SE75351311</b>	SE.5104	130	1 1/2	125	200	86	65	0.33	0.17 bar
<b>SE75361411</b>	SE.5105	180	2	125	260	86	75	0.40	0.17 bar
<b>SE75461211</b>	SE.5106	225	2	125	150	150	70	0.64	0.17 bar
<b>SE75471311</b>	SE.5107	350	2 1/2	125	212	150	90	0.72	0.17 bar
<b>SE75481411</b>	SE.5108	500	3	125	272	150	100	0.92	0.17 bar

Note 1: Part numbers featured with bold highlighted codes will ensure a 'standard' product selection.

Note 2: Alternate displayed part number selection will require you to contact Parker Filtration for availability.

