

Spin-On Air Breathers

Reservoir Equipment



High capacity air breathers

Ideal for high flow heavy contamination systems

Spin-on air filters for tank mounted breathing solutions offer high capacity, disposable air breathers to remove airborne contamination. 2 x 5 micron models are available – 700 l/min and 1500 l/min ideal for high flow heavy contamination systems.



Contact Information:

Parker Hannifin
Hydraulic Filter Division Europe

**European Product
Information Centre**
Freephone: 00800 27 27 5374
(from AT, BE, CH, CZ, DE, EE, ES,
FI, FR, IE, IT, PT, SE, SK, UK)
filtrationinfo@parker.com

www.parker.com/hfde

Product Features:

- High capacity air breathers to remove airborne contamination.
- Disposable, 5 micron nominal quality elements.
- Models – 700, 1500, 1700 and 3000 l/min.
- Ideal for high flow heavy contamination systems.



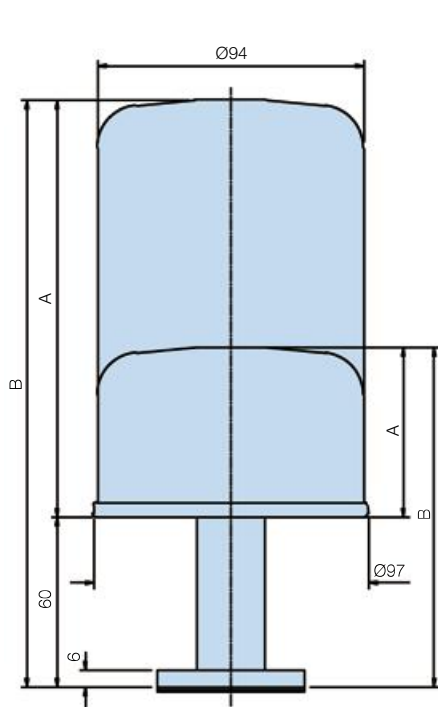
Spin-On Air Breathers

Reservoir Equipment

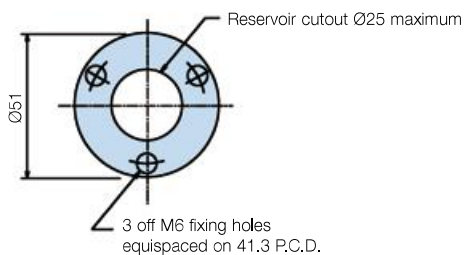
Specification



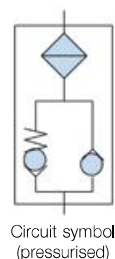
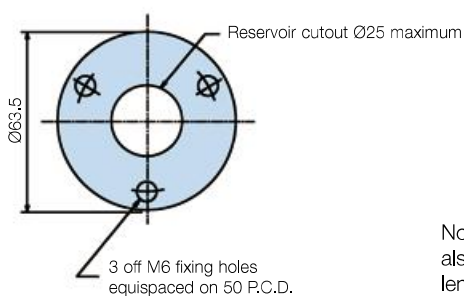
- High capacity air breathers designed for the removal of airborne contamination in hydraulic systems to support environmental maintenance.
- Ideal for high flow systems and heavily contaminated environments.
- Disposable spin-on elements quickly and easily replaced.
- 5 micron nominal quality filtration elements.
- 2 models available – 700 l/min and 1500 l/min.
- Available with a pressurised valve in the mounting adaptor.



Standard spin-on air breather stem



Pressurised spin-on air breather stem



Note: Spin-on air breather elements can also be mounted directly on to any suitable length of $\frac{3}{4}$ " BSP threaded pipe.

Ordering Information

5 μ Spin-on air breathers

Part number	Supersedes	Air flow	Valve crack pressure	A mm	B mm	Weight	Replacement element
S340056	N/A	700 l/min	Unpressurised	60	120	0.6Kg	4930
S340052	N/A	1500 l/min	Unpressurised	148	208	0.75Kg	588410
S340058	*S.340058	700 l/min	0.35 Bar	60	120	0.69Kg	4930
S340059	**S.340059	700 l/min	0.70 Bar	60	120	0.69Kg	4930
S340054	*S.340054	1500 l/min	0.35 Bar	148	208	0.8Kg	588410
S340055	**S.340055	1500 l/min	0.70 Bar	148	208	0.8Kg	588410

Note 1: Part numbers featured with bold highlighted codes will ensure a 'standard' product selection.

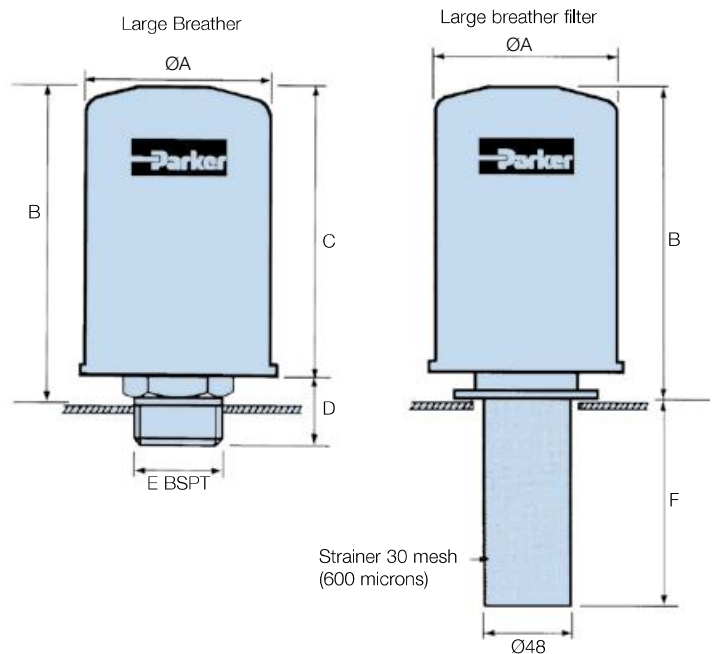
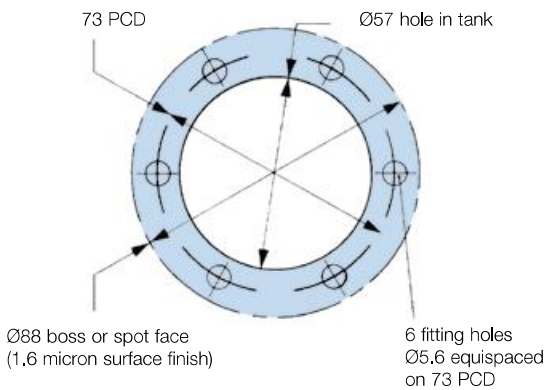
Note 2: Alternate displayed part number selection will require you to contact Parker Filtration for availability.

Note 3: Reservoir must be capable of withstanding pressurisation.



Mounting face for standard and large breather

- High capacity air breathers and filler/breathers designed for the removal of airborne contamination in hydraulic systems to support environmental maintenance.
- Ideal for high flow systems and heavily contaminated environments.
- Disposable spin-on elements quickly and easily replaced.
- 3 micron absolute quality filtration elements.
- Models available – 1700 l/min and 3000 l/min.



Specification

Maximum operating temperature:
-20°C to +90°C.

Construction materials:
Epoxy coated steel components to resist corrosion, resistant paint finish on large breathers.

Fluid compatibility:
Suitable for use with mineral oils and water oil emulsions.

Weights:

Large: H00834001 1.0 Kg
H00834002 1.65 Kg
H00834003 1.90 Kg

Each breather filler is supplied with mounting gaskets and self-tapping screws.

Ordering Information

Large breather dimensions

Part number	Supersedes	Air flow l/min	Dimensions (mm)				Ports E
			A	B	C	D	
H00834004	H00834-004	1700	97	147	135	30	¾
H00834005	H00834-005	3000	134	198	180	36	1¼

Note 1: Part numbers featured with bold highlighted codes will ensure a 'standard' product selection.

Note 2: Alternate displayed part number selection will require you to contact Parker Filtration for availability.

Large breather filler dimensions

Part number	Supersedes	Air flow l/min	Dimensions (mm)			Replacement element complete with bayonet	Supersedes
			A	B	F		
H00834001	H00834-001	1700	97	165	114	H00834006	H00834-006
H00834002	H00834-002	3000	134	204	114	H00834007	H00834-007
H00834003	H00834-003	3000	134	204	203	H00834007	H00834-007

